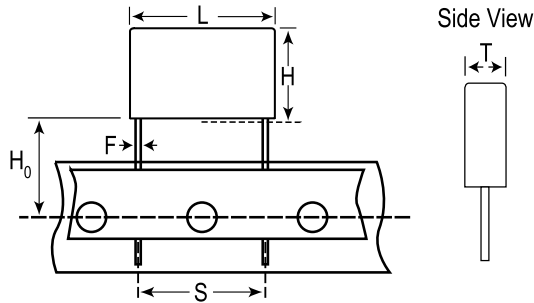


KEMET Part Number: PMR209MC6100M100R19T0
(P409CE104M250LH101)

PMR209, Film, Metallized Paper, Resistor/Capacitor, 0.1 uF, 20%, 630 VDC, 85°C, Lead Spacing = 20.3mm



Dimensions	
L	24mm MAX
H	14mm MAX
T	7.6mm MAX
S	20.3mm +0.6/-0.1mm
H ₀	18.5mm +/-0.5mm
F	0.8mm +/-0.05mm

Packaging Specifications	
Packaging:	T&R
Packaging Quantity:	250

General Information	
Series:	PMR209
Dielectric:	Metallized Paper
Style:	Radial
Features:	RC Unit approved
RoHS:	Yes
Lead:	Wire Leads
Qualifications:	ENEC, UL, cUL
AEC-Q200:	No
Construction:	Molded
Miscellaneous:	Resistor= 100 Ohms.
Notes:	Not For New Design, Please Use The New P409 Series @ 275 VAC.

Specifications	
Capacitance:	0.1 uF
Capacitance Tolerance:	20%
Voltage AC:	250 VAC
Voltage DC:	630 VDC
Temperature Range:	-40/+85°C
Rated Temperature:	85°C
Insulation Resistance:	3 GOhms
Safety Class:	X2