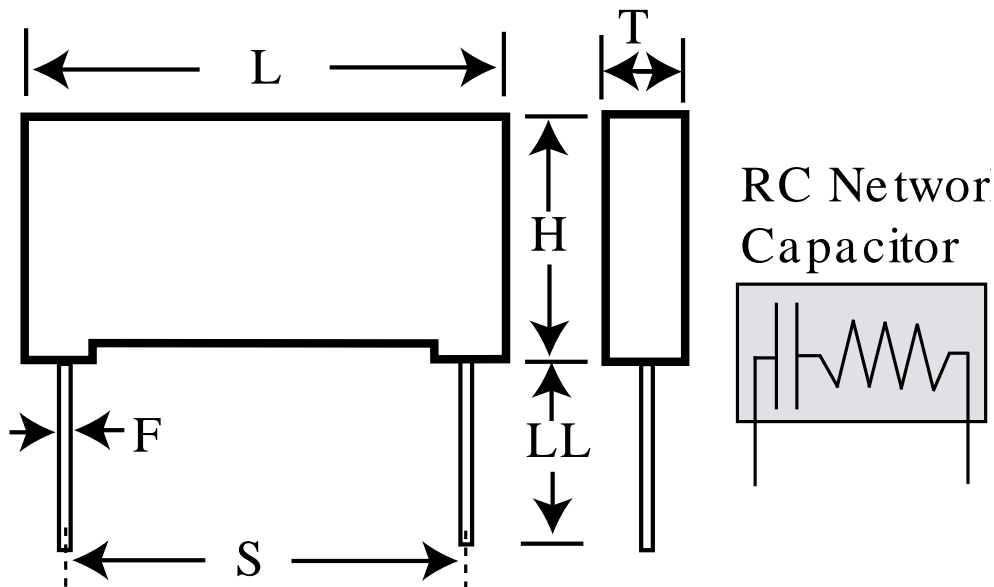


# PMR205AB6250M600R30

aka P405QM254M125AH601

Capacitor, film, 0.25 uF, +/-20% Tol, -40/+85C, RC, 250V@85C, Lead Spacing=15.2 mm



## Dimensions (mm)

ID	Dimension	Tolerance
L	18.5	max
H	13	max
T	7.3	max
S	15.2	+/-0.4
LL	30	nom
F	0.8	nom

## Specifications

Manufacturer:	KEMET
Brand:	Rifa
Capacitance:	0.25 uF
Temperature Range:	-40/+85C
Rated Temperature:	85C
Voltage @ rated temp:	250V
Voltage AC:	125VAC
Tolerance:	+/-20%
Body Type:	Radial Molded
Construction:	Wound
Application:	RC
Electrical Name (Other):	Resistor
Electrical Value (Other):	600
Electrical Units (Other):	Ohms
Insulation Resistance:	3 GOhm
Miscellaneous Electrical:	PMR205
Package Kind:	Bulk
Package Quantity:	400

### Notes:

-Capacitor and Resistor are in series inside of case