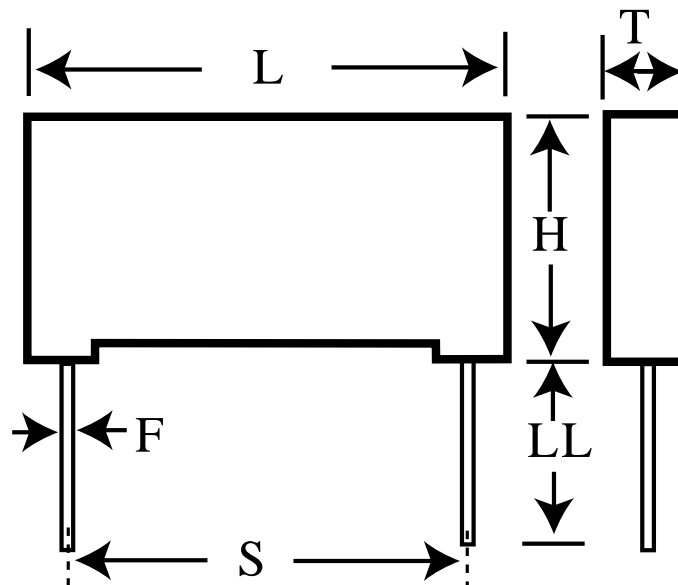


PME295RB4330MR30

aka P295BL332M440A

Capacitor, film, 3300 pF, +/-20% Tol, -40/+115C, Safety: Y1, 440VAC,
Lead Spacing=15 mm



Dimensions (mm)

Specifications

ID	Dimension	Tolerance	Manufacturer:	KEMET
L	18	max	Brand:	Rifa
H	14.5	max	Capacitance:	3300 pF
T	7.5	max	Temperature Range:	-40/+115C
S	15	+/-0.4	Rated Temperature:	115C
LL	30	nom	Voltage @ rated temp:	1500V
F	0.8	nom	Voltage AC:	440VAC
			Tolerance:	+/-20%
			Body Type:	Radial Molded
			Construction:	Wound
			Application:	Safety: Y1
			Dissipation Factor @ 1 kHz:	1.3%
			Insulation Resistance:	12 GOhm
			Maximum dVdT:	2000v/us
			UL_1414:	250V
			UL_1283:	480V
			IEC_60384-14:	440V
			EN_132400:	440V
			C_22.2_NO.1:	250V
			C_22.2_NO.8:	480V
			Miscellaneous Electrical:	PME295
			Package Kind:	Bulk
			Package Quantity:	400