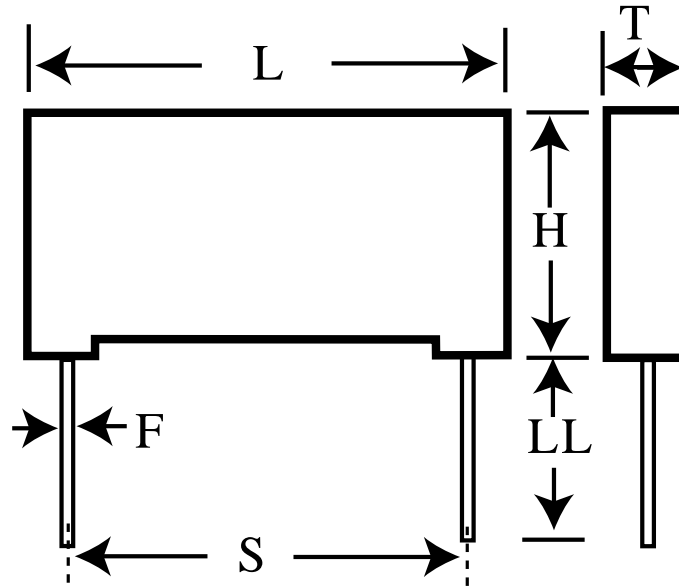


PME271M615KR19T0

aka P276CJ154K275L

Capacitor, film, 0.15 uF, +/-10% Tol, -40/+110C, Safety: X2, 275VAC,
Lead Spacing=20.3 mm



Dimensions (mm)

Specifications

ID	Dimension	Tolerance
L	24	max
H	15	max
T	9	max
S	20.3	+/-0.4
LL	19	nom
F	0.8	nom

Manufacturer:	KEMET
Brand:	Rifa
Capacitance:	0.15 uF
Temperature Range:	-40/+110C
Rated Temperature:	110C
Voltage @ rated temp:	630V
Voltage AC:	275VAC
Tolerance:	+/-10%
Body Type:	Radial Molded
Construction:	Wound
Application:	Safety: X2
Dissipation Factor @ 1 kHz:	1.3%
Insulation Resistance:	12 GOhm
Maximum dVdT:	600v/us
UL_1414:	250V
UL_1283:	250V
IEC_60384-14:	275V
EN_132400:	275V
C_22.2_NO.1:	250V
Miscellaneous Electrical:	f _o = 3.4 MHz series(PME271M)
Package Kind:	T&R
Package Size:	360mm
Package Quantity:	250