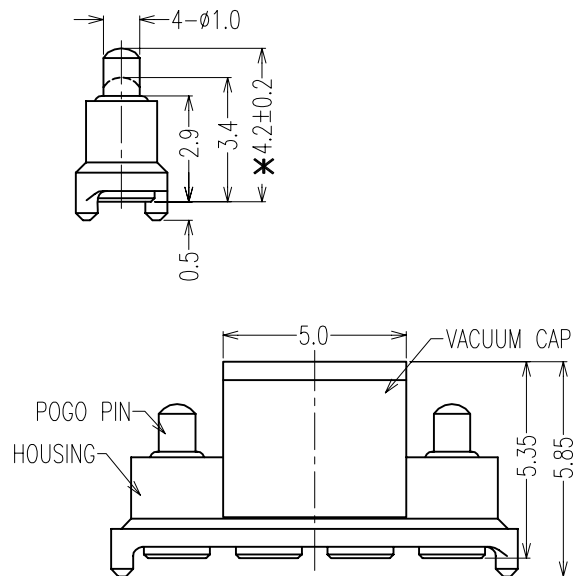


RECOMMENDED PCB LAYOUT



## SPECIFICATIONS:

MATERIAL:-

HOUSING: BLACK PA9T (UL94V-0)

PLUNGER &amp; BARREL: BRASS

SPRING: SUS 304

FINISH:-

CONTACT SURFACE: TIN/GOLD OVER NICKEL UNDERPLATE

ELECTRICAL:-

CURRENT RATING: 1 AMP

WORKING VOLTAGE: DC 12 V

CONTACT RESISTANCE: 50 mΩ MAX AT WORKING HT

MECHANICAL:-

DURABILITY: 10 000 CYCLES MINIMUM

UNLOADED HT: 4.2mm

WORKING HT: 3.4mm

SPRING FORCE: 120g ±20% AT WORKING HT

NOTES: ALL DIMENSIONS AND NOTES MARKED ✖ ARE CRITICAL AND MUST BE CHECKED IN ACCORDANCE WITH QUALITY DOC. Q1-02A

## TOLERANCE:

DIMENSIONS	ANGLES
X. = ±0.25mm	±2.0°
X.X = ±0.15mm	±1.0°
X.XX = ±0.10mm	±0.5°

# HARWIN

HARWIN USA  
TEL: 603 893 5376  
FAX: 603 893 5396  
mis@harwin.com

HARWIN Europe (UK)  
TEL: 023 9231 4545  
FAX: 023 9231 4590  
mis@harwin.co.uk

HARWIN Asia  
TEL: +65 6 779 4909  
FAX: +65 6 779 3868  
mis@harwin.com.sg

THIS DRAWING AND ANY INFORMATION OR DESCRIPTIVE MATTER SET OUT HEREON ARE CONFIDENTIAL AND COPYRIGHT PROPERTY OF THE HARWIN GROUP AND MUST NOT BE DISCLOSED, LOANED, COPIED OR USED FOR MANUFACTURING, TENDERING OR FOR ANY OTHER PURPOSE WITHOUT THEIR WRITTEN PERMISSION.

TOLERANCES  
X. = ±1mm  
X.X = ±0.25mm  
X.XX = ±0.10mm  
X.XXX = ±0.01mm  
ANGLES = ±5°  
UNLESS STATED

MATERIAL: SEE NOTES  
FINISH: SEE NOTES  
S/AREA: mm<sup>2</sup>

TITLE: PITCH 2.5mm HEIGHT 4.2mm  
4-POS POGO PIN CONNECTOR  
DRAWING NUMBER: P20-0445R

SHT  
1  
OF  
1

Allan	1	01.08.06	-
NAME	ISS.	DATE	C/NOTE
APPROVED: <i>Paul</i>			
CHECKED:			
DRAWN: Allan			
CUSTOMER REF.:			
ASSEMBLY DRG:			