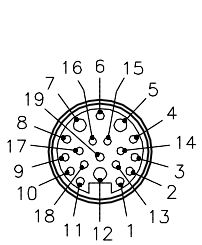


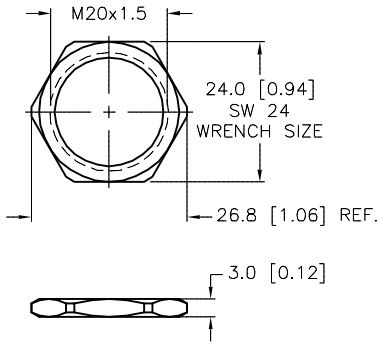
FEMALE END VIEW

LOCKNUT

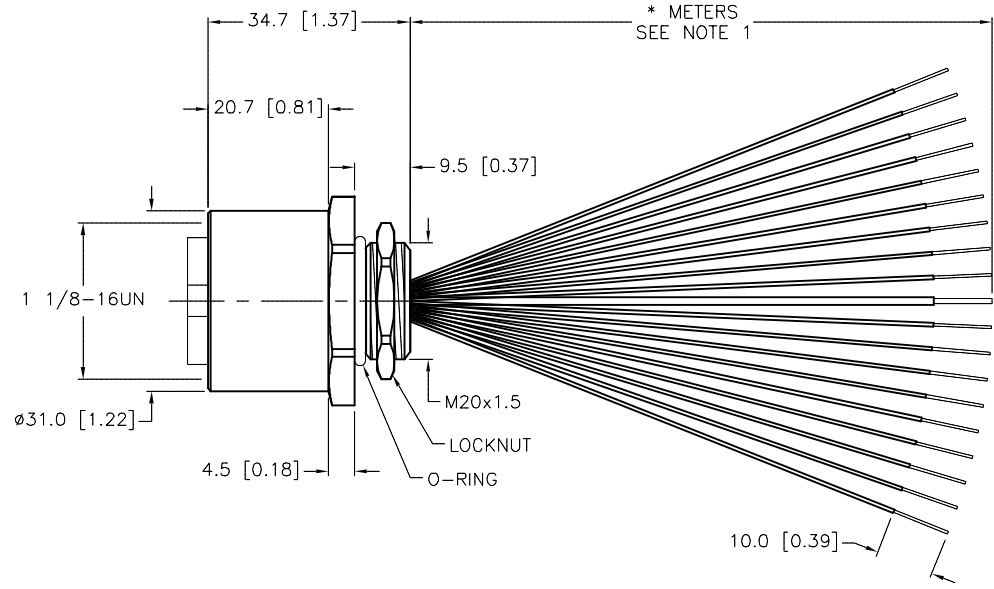
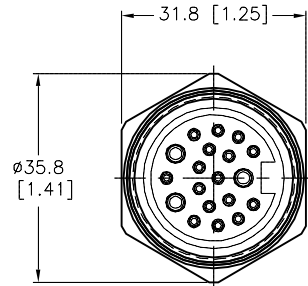
SPECIFICATIONS



- 1 = WHITE/BLACK
- 2 = BLACK/WHITE
- 3 = WHITE/GREEN
- 4 = GREEN/WHITE
- 5 = GRAY
- 6 = WHITE/RED
- 7 = N/C
- 8 = RED/WHITE
- 9 = WHITE/ORANGE
- 10 = ORANGE WHITE
- 11 = WHITE/BLUE
- 12 = GREEN/YELLOW
- 13 = BLUE/WHITE
- 14 = WHITE/BROWN
- 15 = BROWN/WHITE
- 16 = WHITE/YELLOW
- 17 = YELLOW/WHITE
- 18 = WHITE/VIOLET
- 19 = VIOLET/WHITE



CONTACT CARRIER MATERIAL	TPU
CONTACT MATERIAL/PLATING	BRASS/GOLD
HOUSING MATERIAL/FINISH	STAINLESS STEEL/PASSIVATED
RATED CURRENT [A]	4.0 A (PINS 5,7,12), 2.0 A (ALL OTHERS)
RATED VOLTAGE [V]	300 V
CONDUCTOR INSULATION MATERIAL	PVC
NUMBER OF CONDUCTORS	16x22 AWG, 2x18 AWG
TEMPERATURE RATING	-40°C to +105°C (-40°F to +221°F)
PROTECTION CLASS	MEETS NEMA 1,3,4,6P AND IEC IP68



CABLE LENGTH	TOLERANCE*
ALL LENGTHS	+ 4% (OR 50mm) OF LENGTH - 0% (OR 0mm) OF LENGTH WHICHEVER IS GREATER
STRIP LENGTH	TOLERANCE*
0-7mm	±0.5mm
8-29mm	±1.0mm
30-49mm	±2.0mm
50-69mm	±3.0mm
70-100mm	±4.0mm
OVER 100mm	±5.0mm

* UNLESS OTHERWISE SPECIFIED

SOURCE DRAWING - FOR REFERENCE ONLY

NOTES:
1. "*" INDICATES LEAD LENGTH IN METERS. CONTACT TURCK TO ORDER SPECIFIC LENGTHS.

RELATED DOCUMENTS 1. 2. 3. 4.	3RD ANGLE PROJECTION 	THIS DRAWING IS CONFIDENTIAL AND THE PROPERTY OF TURCK INC. USE OF THIS DOCUMENT WITHOUT WRITTEN PERMISSION IS PROHIBITED.		TURCK INC High Technology Sensors and Automation Controls 3000 CAMPUS DRIVE MINNEAPOLIS, MN 55441 1-800-544-7769 (763) 553-7300 (763) 553-0708 fax turck.com	
		DRFT KMY	DATE 06/13/14	DESCRIPTION P-RKFV 190-*/M20	
MATERIAL SEE SPECIFICATIONS	ALL DIMENSIONS DISPLAYED ON THIS DRAWING ARE FOR REFERENCE ONLY	APVD C.K.	SCALE 1=1.3	IDENTIFICATION NO.	
FINISH SEE SPECIFICATIONS		UNIT OF MEASUREMENT MILLIMETER [INCH]		REV A	
DO NOT SCALE THIS DRAWING		FILE: 777033973		SHEET 1 OF 1	

A	DRAWING RELEASE	RDS	09/24/14	
REV	DESCRIPTION	BY	DATE	ECO NO.