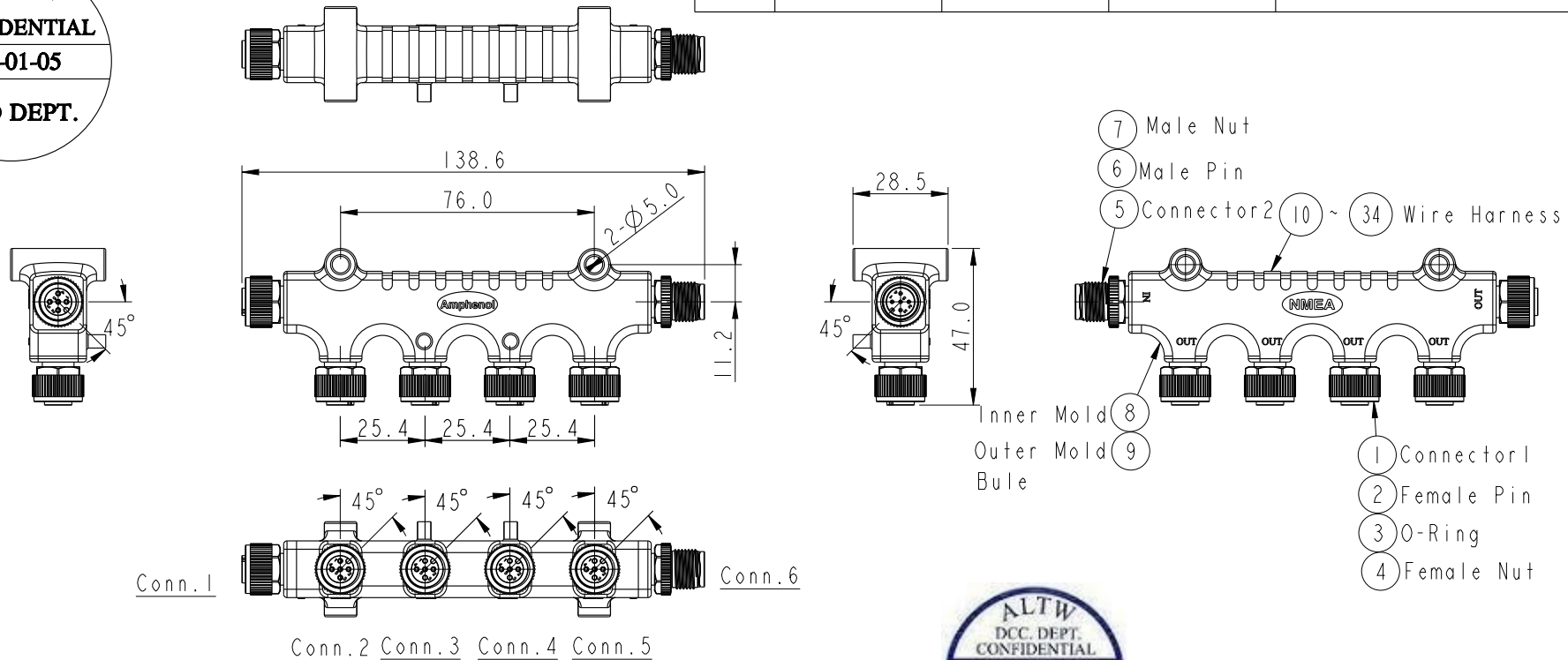


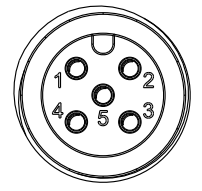
THIS DOCUMENT IS SUBJECT TO CHANGE WITHOUT NOTICE. IT IS CONFIDENTIAL AND A PROPERTY OF Amphenol LTW. DISCLOSURE TO THIRD PARTY HAS TO BE AUTHORIZED BY Amphenol LTW.

**ALTW**  
CONFIDENTIAL  
2016-01-05  
R&D DEPT.

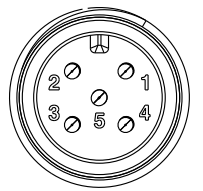
REV.	ECN NO.	DATE	SIGN	DESCRIPTION



**ALTW**  
DCC. DEPT.  
CONFIDENTIAL  
2016.03.31  
ISSUED



Conn. 1 & 2 & 3 & 4 & 5  
Pin Assignments  
Front View



Conn. 6  
Pin Assignments  
Front View

Blue 藍	5	5	5	5	5	5
White 白	4	4	4	4	4	4
Black 黑	3	3	3	3	3	3
Red 紅	2	2	2	2	2	2
Green 綠	1	1	1	1	1	1
Wire Color	Conn. 1	Conn. 2	Conn. 3	Conn. 4	Conn. 5	Conn. 6
	Pin Out					

Note:  
 \*  $\varnothing$  Important Dimension To Check.  
 \* Waterproof Rate: IP68  
 In 1 meter water within 24 hours  
 \* Connector: Pu, Black  
 \* Nut: PA66, Black  
 \* Pin: Copper Alloy, Gold Plated 30u"  
 \* Wire Harness: UL1061, 22AWG  
 \* Body: PU, Blue

UNIT: mm

TOLERANCE  
±0.50mm

TITLE  
NMEA2000 Micro-C  
4-WAY TEE

SCALE 1:2    SIZE A4    SHEET 1 OF 1

REV. A    WC-REV. A.1     $\varnothing$ : Inspection item

**Amphenol LTW**  
安費諾亮泰企業股份有限公司

ITEM NO. P-555555-FFFFF-S001	DRAWN BY Cary	DATE 2016-01-05
DWG NO. P-555555-FFFFF-S001	CHECKED BY Yulong	DATE 2016-01-05
CUSTOMER ALTW	APPROVED BY Jerry	DATE 2016-01-05