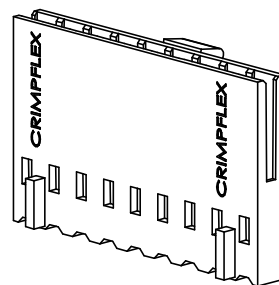
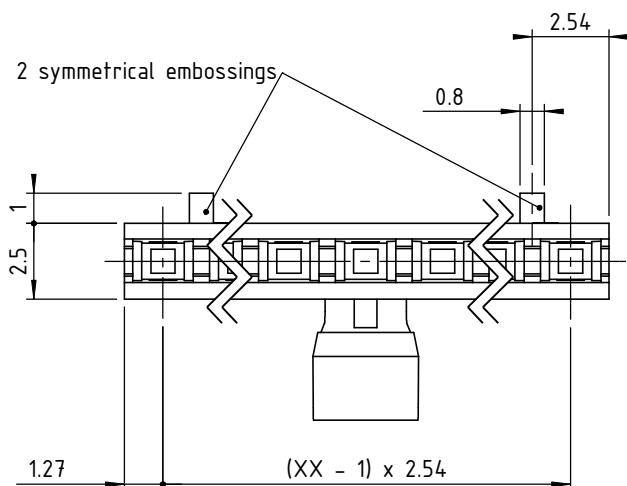
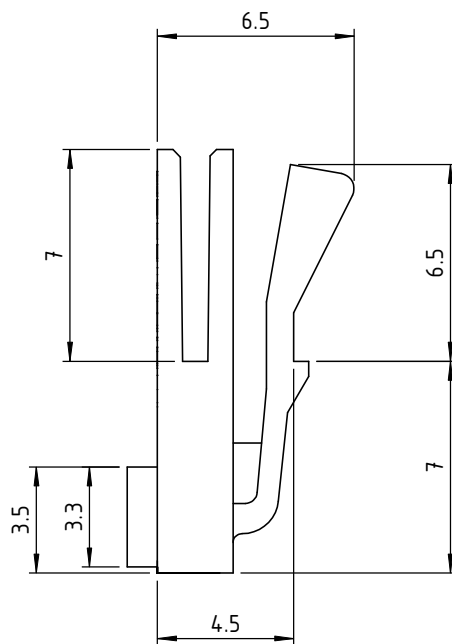
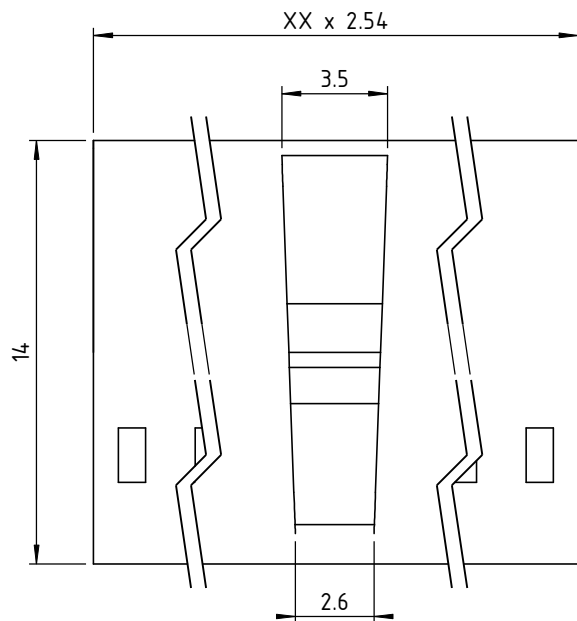


Ce plan est la propriété exclusive de la société NICOMATIC. Il ne peut être reproduit sans son autorisation. Loi du 11.03.1902.
 This document and drawings, sketches, and schematic drawings are the property of the NICOMATIC company.
 and no parts thereof may be reproduced and used without the written consent of the owner. Law dated 11.03.1902



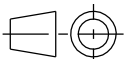
According to the versions, marking can be different.

Material:
 Thermoplastic with glass fiber
 Classified UL 94 V0 Black

XX : Number of points : 04 to 25



Z.I. Les Bracots
 F-74890 Bons-en-Chablais
 Tel. : +33 (0)4.50.36.13.85
 Fax : +33 (0)4.50.36.11.33



Echelle/Scale

4:1

2	20/03/09	C.G.	E.M.	D.Z.
Iss	Date	Drawn	Checked	Approved

Item : CRIMP FLEX Female Housing series OLH XX
 With locking system, XX pts

Repertoire / Folder : X:\Méthodes\Plans clients\01 - Crimpflex\03 - Boîtiers\OLH XX_cl

Réf. catalogue /
 Catalogue Reference

OLH XX

Tolérance générale /
 General tolerance

Page
 1/1

A4

