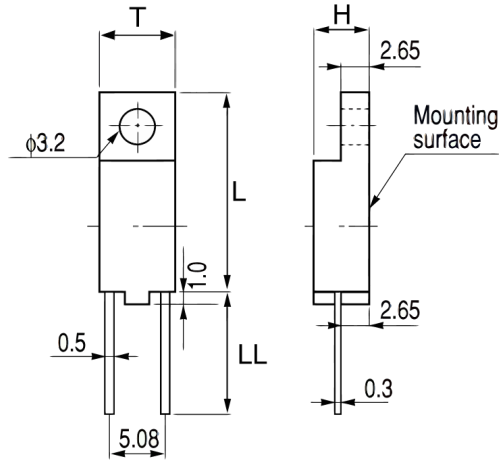


OHD5R-75B

Aliases (USEO5R75B00000)

KEMET, OHD, Thermal Reed Switch, Radial, 5C Temperature Accuracy, High Reliability, High-Speed Response, Long Operational Life, Excellent Environmental Durability, High Temperature Accuracy, 75°C, Break



Click [here](#) for the 3D model.

Dimensions

| | |
|----|--------|
| L | 18.1mm |
| H | 5mm |
| T | 6.7mm |
| LL | 10mm |

Packaging Specifications

| | |
|--------------------------|-----------|
| Packaging | Tray, Box |
| Packaging Quantity | 700 |
| Typical Component Weight | 1.1g |

General Information

| | |
|----------------|---|
| Series | OHD |
| Type | Thermal Reed Switch |
| Style | Radial |
| Description | Thermal Guard |
| Features | High Reliability, High-Speed Response, Long Operational Life, Excellent Environmental Durability, High Temperature Accuracy |
| Lead | Wire Leads |
| RoHS | Yes |
| REACH | Yes |
| Qualifications | UL, CSA, TUV |

Specifications

| | |
|-----------------------------|--|
| Switching Temperature | 75C +/-5C |
| Temperature Range | -20/+150°C |
| Contact Type | Break |
| Voltage DC | 30 VDC MAX (Opening/Closing), 1500 VAC/1 minute or 1800 VAC/1 second |
| Current | 0.1 Amps DC MAX (Opening/Closing), 0.1 mAmps MIN (1VDC, Opening/Closing) |
| ESR | 300 mOhms MAX (Contact Resistance) |
| Max Opening/Closing Power | 1 W (DC) |
| Max Opening/Closing Voltage | 30 V (DC) |
| Differential Temperature | 10C Maximum |