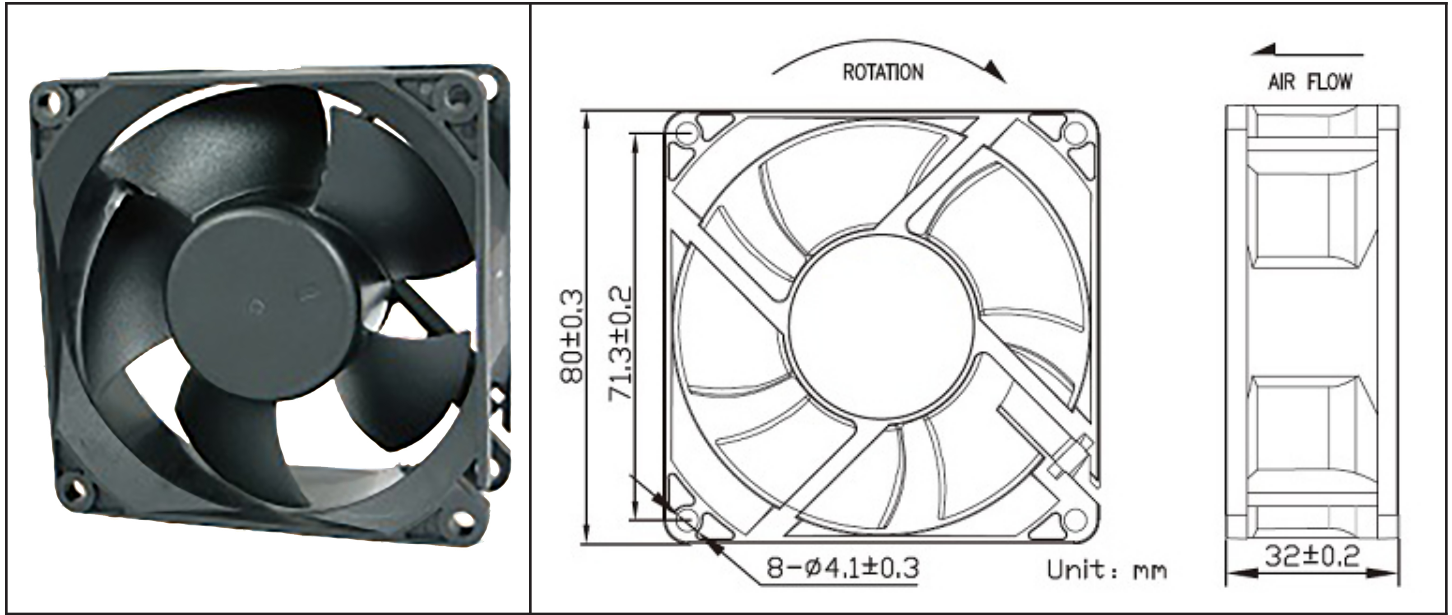


OD8032 IP68 Series



DC Fan - 12V
80x32mm (3.15"x 1.25")



Frame & Impeller	PBT, UL94V-0 plastic	Available Options: Tachometer (FG) Alarm (RD) PWM Input Life Expectancy (L10) 70,000 hours (40C) Weight: ~ 0.26 lbs m0	
Connection	2x Lead wires 24AWG		
Motor	Brushless DC, auto restart, polarity protected, IP68		
Bearing System	Dual ball bearing		
Insulation Resistance	10M ohm between leadwire and frame (500 VDC)		
Dielectric Strength	1 minute at 500 VAC, max leakage < 500 µA		
Temperature Range	-10C ~ +70C		
Storage Temperature	-40C ~ +75C		

Model Number	Speed (RPM)	Airflow (CFM)	Noise (dB)	Volts DC	Input Power (Watts)	Amps	Max. Static Pressure ("H ₂ O)
OD8032-12HHBIP68	6400	81.6	53	12	8.4	0.7	0.79
OD8032-12HBIP68	6000	75.3	50	12	7.8	0.65	0.73
OD8032-12MBIP68	5500	69.1	48	12	6.0	0.5	0.61
OD8032-12LBIP68	4800	60.4	45	12	4.8	0.4	0.45
OD8032-24HBIP68	6000	75.3	50	24	7.8	0.33	0.73
OD8032-48HBIP68	6000	75.3	50	48	7.8	0.16	0.73