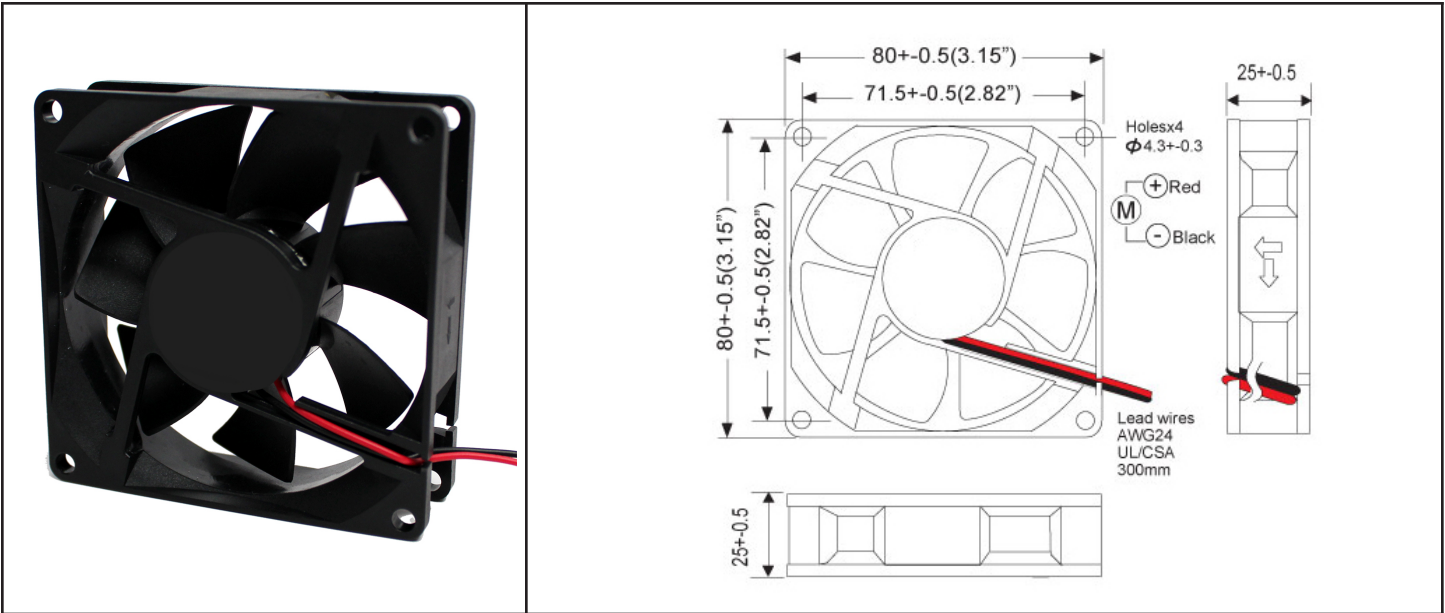


OD8025 IP68 Series



DC Fan - 12, 24, 48V
80x25mm (3.15"x 1.0")



Frame & Impeller	PBT, UL94V-0 plastic	Available Options: Tachometer (FG) Alarm (RD) PWM Input 5V Available Life Expectancy (L10) 65,000 hours (45C) Weight: ~ 0.19 lbs m0	
Connection	2x Lead wires 24AWG		
Motor	Brushless DC, auto restart, polarity protected, IP68		
Bearing System	Dual ball bearing		
Insulation Resistance	10M ohm between leadwire and frame (500 VDC)		
Dielectric Strength	1 minute at 500 VAC, max leakage < 500 µA		
Temperature Range	-15C ~ +65C		
Storage Temperature	-25C ~ +70C		

Model Number	Speed (RPM)	Airflow (CFM)	Noise (dB)	Volts DC	Input Power (Watts)	Amps	Max. Static Pressure ("H ₂ O)
OD8025-12HHBIP68	3800	48	35	12	2.2	0.18	0.26
OD8025-12HBIP68	3300	40	33	12	2.2	0.18	0.23
OD8025-12MBIP68	2700	32	28	12	1.8	0.15	0.16
OD8025-12LBIP68	2000	22	21	12	1.4	0.12	0.10
OD8025-24HHBIP68	3800	48	35	24	2.9	0.12	0.26
OD8025-24HBIP68	3300	40	33	24	2.9	0.12	0.23
OD8025-24MBIP68	2700	32	28	24	2.4	0.10	0.16
OD8025-24LBIP68	2000	22	21	24	2.0	0.08	0.10
OD8025-48HHBIP68	3800	48	35	48	3.8	0.08	0.26
OD8025-48HBIP68	3300	40	33	48	3.8	0.08	0.23