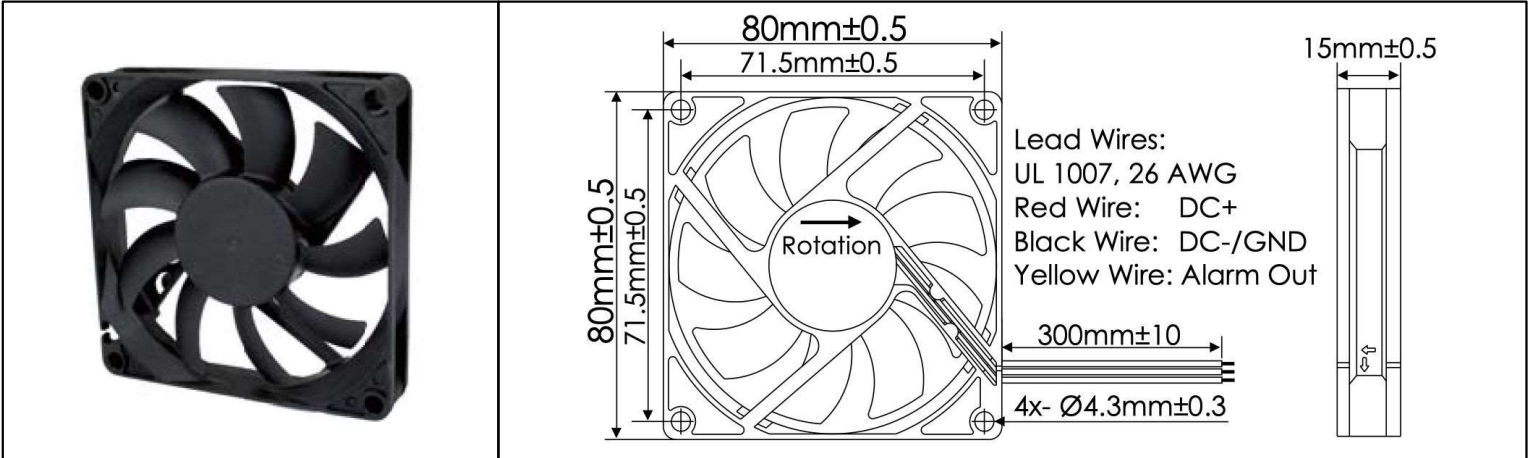


OD8015-24HB02A



DC Fan - 24V
80mm x 15mm (3.15" x 0.6")



Frame	PBT, UL94 V-0 Plastic	<u>Operating Temperature</u> -20°C ~ +65°C <u>Storage Temperature</u> -20°C ~ +75°C <u>Life Expectancy</u> 50,000 Hours (L10 at 45°C) <u>Installed Options</u> Open Collector Alarm Weight: 0.17 lbs	
Impeller	PBT, UL94 V-0 Plastic		
Connection	3x Lead Wires, 26/24 AWG.		
Motor	Brushless DC, Auto Restart, Auto Cutoff, Polarity Protected, Electronically Protected		
Bearing System	Ball Bearings		
Dielectric Strength	500VDC/min, <5mA		
Insulation Resistance	≥10MΩ @ 500V DC		

Part Number	Rated Voltage (Volts DC)	Voltage Range (Volts DC)	Input Power (Watts)	Rated Current (Amps)	Rated Speed (RPM)	Max Airflow (CFM)	Noise Level (dBA)	Max Static Pressure ("H ₂ O)
OD8015-24HB02A	24	15 ~ 26	2.4	0.10	3050	31	34.2	0.11

