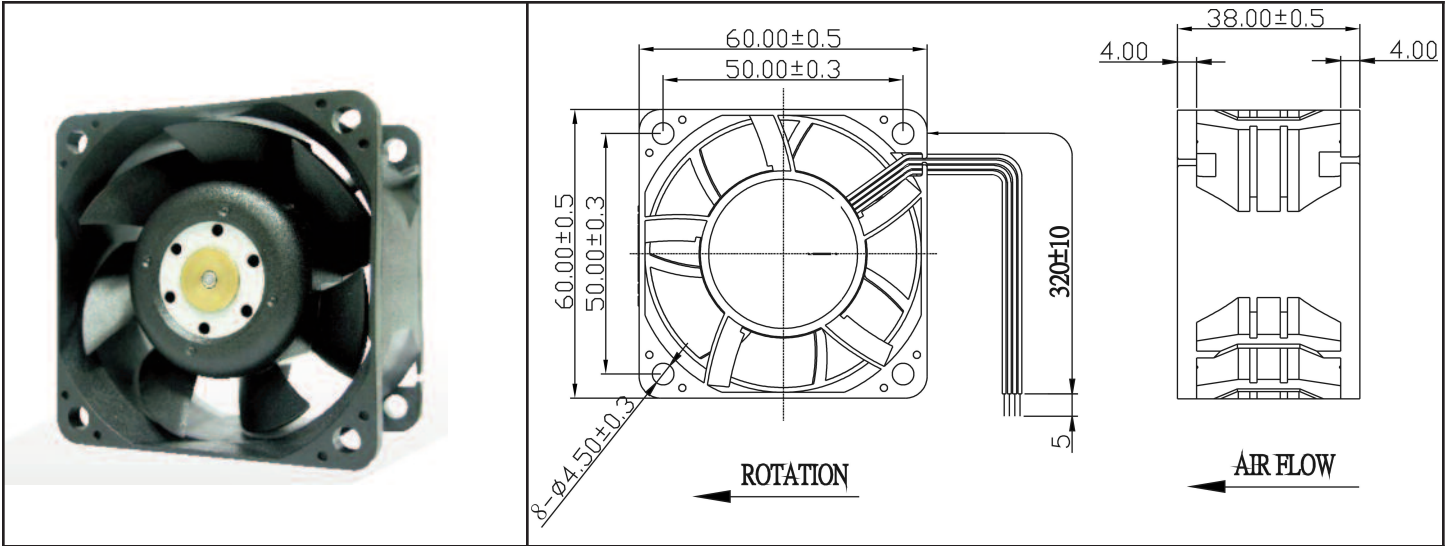


# OD6038 XC Series



DC Fan 12V

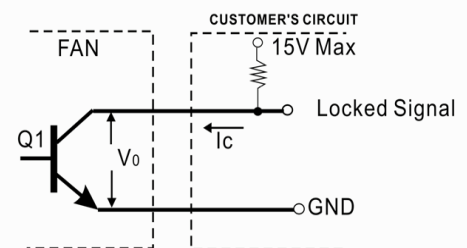
60x38mm (2.36"x 1.5")



Frame & Impeller	PBT, UL94V-O plastic	Tachometer - Open Collector  Weight: ~ 125 g  * Connection UL1007, 24AWG, ~320mm Red (+) Black (-) White Tachometer  m1	<p>Graph showing Static Pressure (mmAq) and Static Pressure (InAq) vs Flowrate (CFM) and Flowrate (CMM). The curve shows a decrease in static pressure as flowrate increases.</p>
Connecion	3x Lead wires *		
Motor	Brushless DC, auto restart, polarity protected.		
Bearing System	Dual ball bearing		
Insulation Resistance	Min. 10M at 500VDC		
Dielectric Strength	1 minute at 500 VAC, max leakage < 500 MicroAmp		
Temperature Range	-10C ~ +70C		
Storage Temperature	-40C ~ +80C		
Life (L10)	70,000 hours (40C)		

Part Number	OD6038-12HBXC01A
Nominal Voltage	12V DC
Voltage Range	10.8 ~ 13.2V DC
Nominal Current	2.10 A
Rated Power	28.8 W
Rated Speed (RPM)	14500
Airflow (CFM)	76
Noise Level (dB)	64
Max. Static Pressure	2.4" H2O

\*Output type.....Open collector type  
 \*Electrical design suggestion:



\*Transistor Q1 at "ON" position  
 Collector current..... $I_c=10\text{mA Max}$   
 Saturation Voltage..... $V_{OL}=1.0\text{V Max}$   
 (Between Collector and Emitter at  $I_c=10\text{mA}$ )  
 \*Transistor Q1 at "OFF" position  
 Release Voltage..... $V_{OH}=15\text{V Max}$