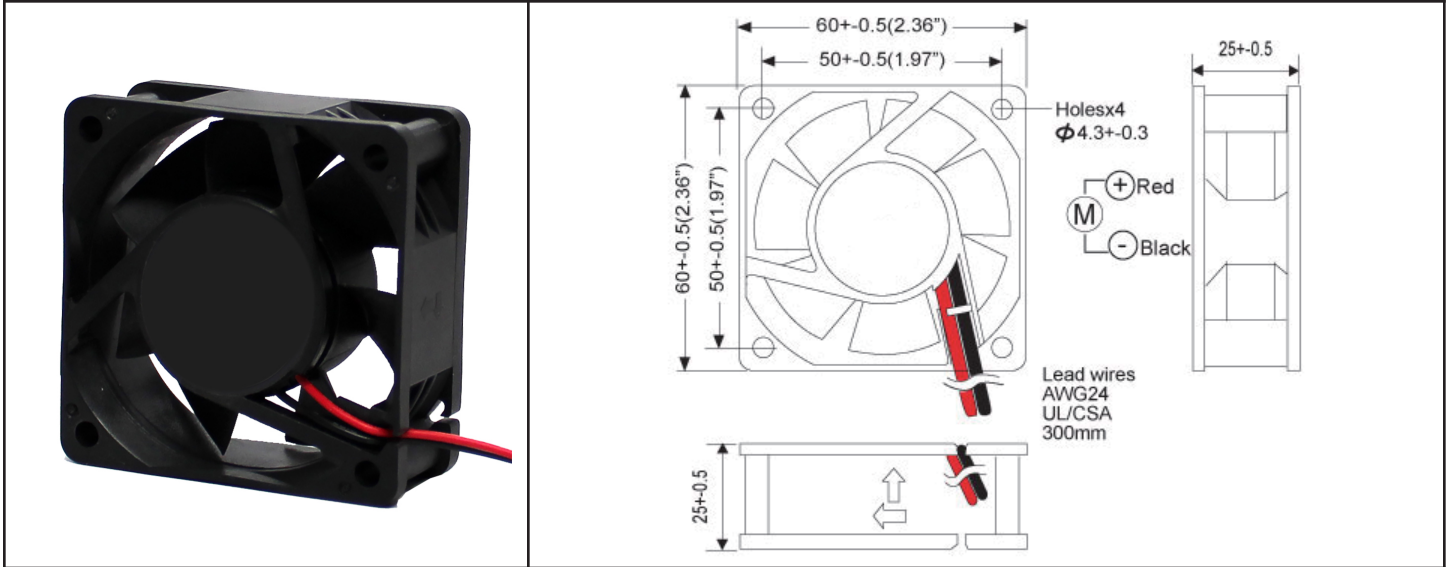


# OD6025 IP68 Series



DC Fan - 12, 24, 48V  
60x25mm (2.36"x 1.0")



Frame & Impeller	PBT, UL94V-0 plastic	<b>Available Options:</b> Tachometer Alarm PWM 5V Available  Life Expectancy (L10) Ball - 60,000 hrs (45C)  Operating Temperature Ball: -15C ~ 65C  Weight: ~ 0.14 lbs  m0	
Connection	2x Lead wires 24AWG		
Motor	Brushless DC, auto restart, polarity protected, IP68		
Bearing System	Ball bearing		
Insulation Resistance	10M ohm between leadwire and frame (500 VDC)		
Dielectric Strength	1 minute at 500 VAC, max leakage < 500 µA		
Storage Temperature	-25C ~ +70C		

Model Number	Speed (RPM)	Airflow (CFM)	Noise (dB)	Volts DC	Input Power (Watts)	Amps	Max. Static Pressure ("H <sub>2</sub> O)
OD6025-12HHBIP68	4400	32	32	12	1.8	0.15	0.24
OD6025-12HBIP68	4000	25	30	12	1.8	0.15	0.22
OD6025-12MBIP68	3200	17	25	12	1.5	0.12	0.16
OD6025-12LBIP68	2500	14	20	12	1.0	0.08	0.14
OD6025-24HHBIP68	4400	32	32	24	2.8	0.12	0.24
OD6025-24HBIP68	4000	25	30	24	2.8	0.12	0.22
OD6025-24MBIP68	3000	17	25	24	2.2	0.09	0.16
OD6025-24LBIP68	2500	14	20	24	1.5	0.06	0.14
OD6025-48HHBIP68	4400	32	32	48	3.4	0.07	0.24
OD6025-48HBIP68	4200	28	30	48	3.4	0.07	0.23