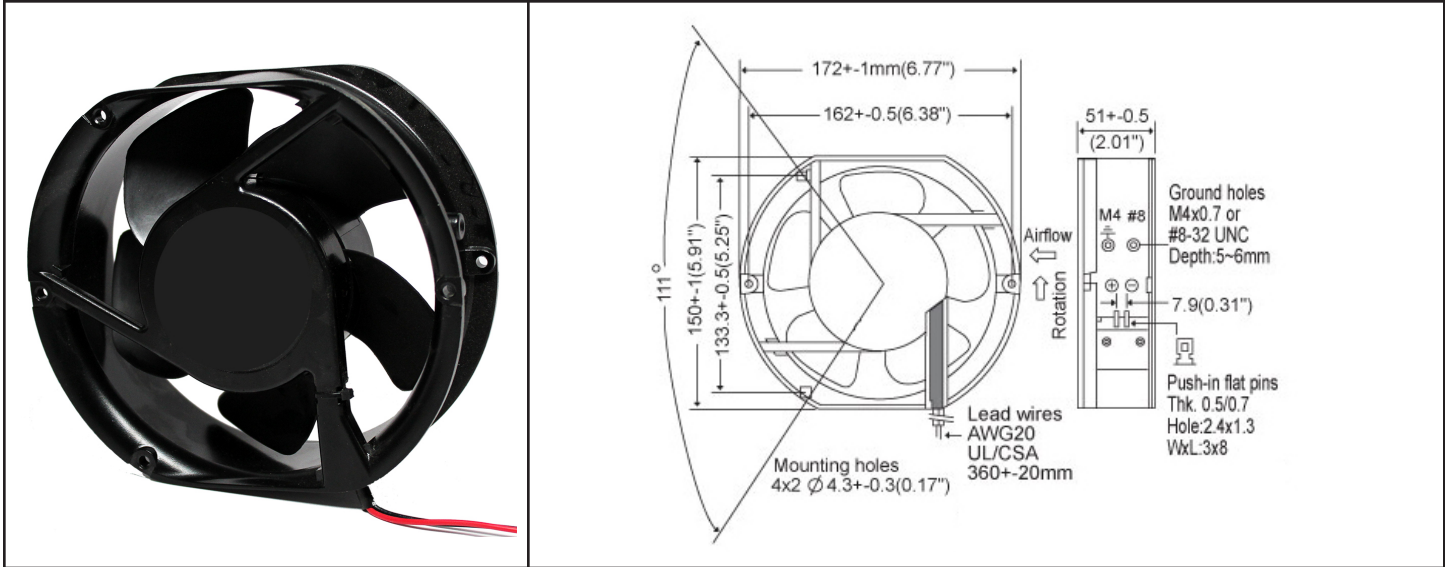


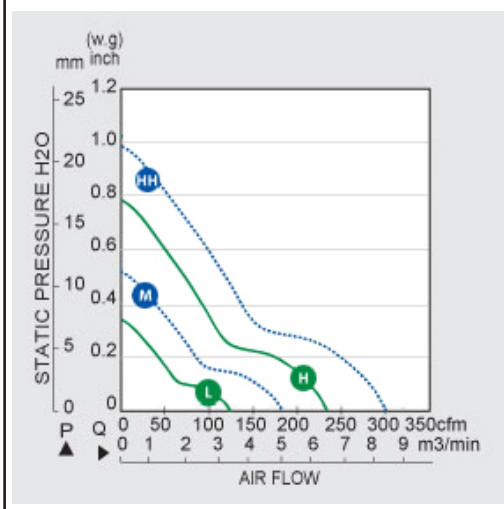
OD172SAP IP68 Series



DC Fan - 12, 24, 48V
172x150x51mm (6.7"x 5.9"x 2.0")



Frame & Impeller	PBT, UL94V-0 plastic	Available Options: Tachometer Alarm PWM <u>Life Expectancy (L10)</u> Ball - 90,000 hrs (35C) <u>Operating Temperature</u> Ball: -15C ~ 65C Weight: ~ 1.8 lbs m0
Connection	2x Lead wires 20AWG	
Motor	Brushless DC, auto restart, polarity protected, IP68	
Bearing System	Ball bearing	
Insulation Resistance	10M ohm between leadwire and frame (500 VDC)	
Dielectric Strength	1 minute at 500 VAC, max leakage < 500 µA	
Storage Temperature	-25C ~ +80C	



Model Number	Speed (RPM)	Airflow (CFM)	Noise (dB)	Volts DC	Input Power (Watts)	Amps	Max. Static Pressure ("H ₂ O)
OD172SAP-12MBIP68	2500	180	42	12	13.2	1.1	0.51
OD172SAP-12LBIP68	1600	125	32	12	5.5	0.45	0.35
OD172SAP-24HHBIP68	3900	300	57	24	50.4	2.1	0.98
OD172SAP-24HBIP68	3300	235	52	24	24	0.97	0.79
OD172SAP-24MBIP68	2500	180	42	24	13	0.52	0.51
OD172SAP-24LBIP68	1600	125	32	24	5	0.20	0.35
OD172SAP-48HHBIP68	3900	300	57	48	49.4	1.03	0.95
OD172SAP-48HBIP68	3300	235	52	48	23.5	0.48	0.79
OD172SAP-48MBIP68	2500	180	42	48	14.5	0.30	0.51
OD172SAP-48LBIP68	1600	125	32	48	5.8	0.12	0.35