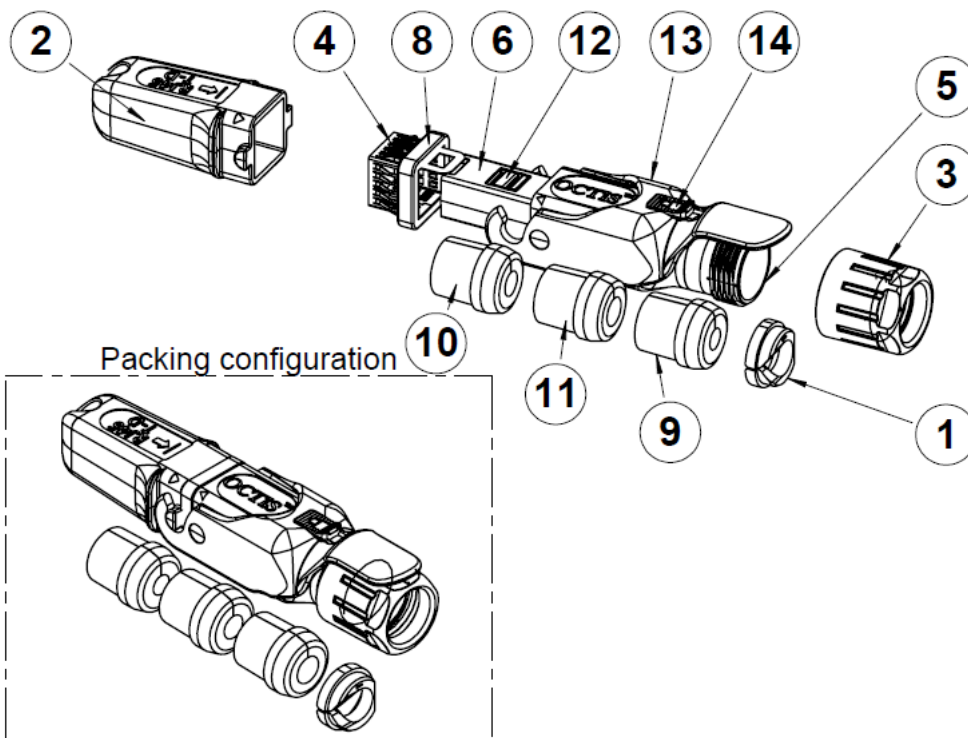
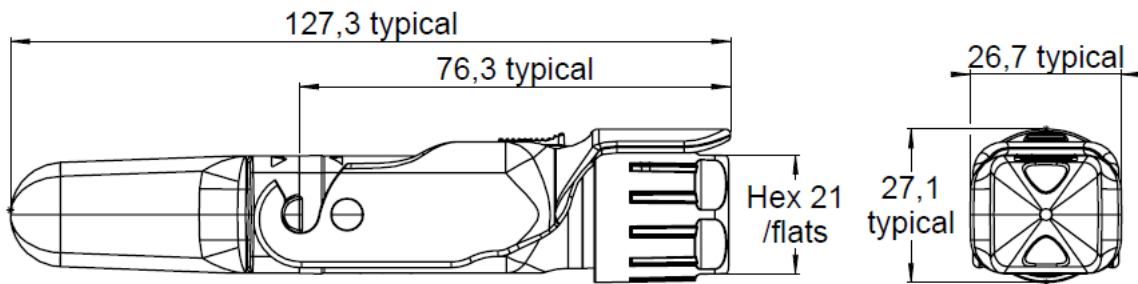


PAGE 1/3	ISSUE 13-02-19A	SERIES OCTIS	PART NUMBER OCTI217550
----------	-----------------	--------------	------------------------



All dimensions are in mm. Tolerances according ISO 2768 m-H

DESCRIPTION

REP	COMPONENT	MATERIALS	PLATING
1	Tightening Cone	PA	-
2	Plug Cap	PBT	-
3	Gland Nut	PBT	GREY COLOR
4	Grounding Ring	STAINLESS STEEL	-
5	Housing	PBT	-
6	Holder	ZAMAK	PASSIVATED
7	Interface sealing gasket	SILICONE	-
8	Split rubber gland Ø6	SILICONE	-
9	Split rubber gland Ø7	SILICONE	-
10	Split rubber gland Ø8	SILICONE	-
11	Spring blade	STAINLESS STEEL	-
12	Lever	IXEF	-
13	Locking button	PBT	-

PAGE 2/3	ISSUE 13-02-19A	SERIES OCTIS	PART NUMBER OCTI217550
----------	-----------------	--------------	------------------------

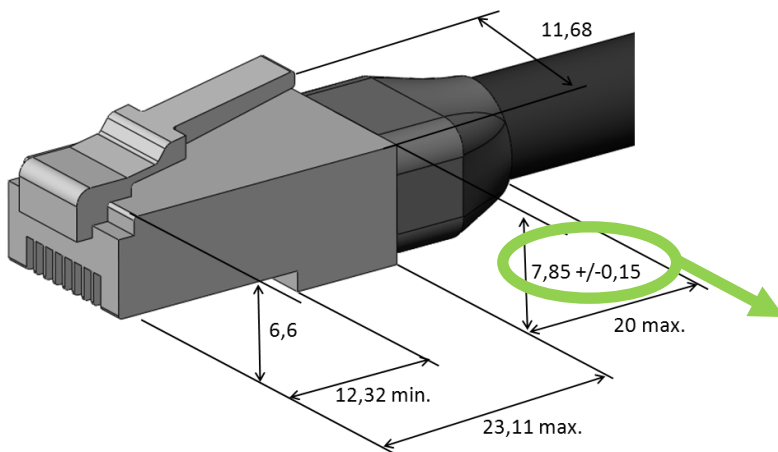
GENERAL CHARACTERISTICS

Mechanical Mating endurance (cycles) Axial Tensile load (N typical) Vibration Recom. coupling torque (N.cm) Weight (g)	IEC 61300-2-2 IEC 61300-2-4 IEC 61300-2-1 - -	100 100 * - 250 min. / 300 max. 72.0260
Environmental Protection class Operating temperature (°C) Storage temperature (°C) Humidity (damp heat) (%RH) Salt Mist RoHS Flammability UVB Resist (h)	IEC 60529 IEC 61300-2-22 IEC 61300-2-22 IEC 61300-2-19 IEC 61300-2-26 (ISO21207 method B) - UL 94 ASTM G154 cycle 2	IP67 ** -40 / +85 -65 / +85 5 / 95 720h ** Compliant V0 1000
Others Equipment interface Cable assembly Packaging	- IEC 60603-7 -	For use with OCTIS™ panel interface or receptacle *** For use with Cable assemblies equipped with connectors complying to the RJ45 standard Unitary in plastic bag with assembly note.

* Depending on cable characteristics

** Mated condition

*** If the interface is to be die casted into the equipment panel, please contact Radiall for license conditions and interface definition

RJ45 CONNECTOR COMPATIBILITY (IEC 60603-7)


	IEC 60603-7	OCTIS Holder
Holder tab up	7,85 +/- 0.15	9.10 max
Holder tab down	7,85 +/- 0.15	9.10 max

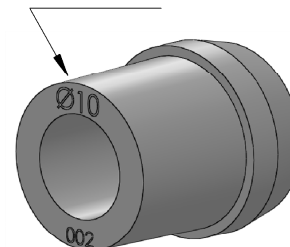
For more information about compatible RJ45 connectors, please contact us.

PAGE 3/3	ISSUE 13-02-19A	SERIES OCTIS	PART NUMBER OCTI217550
----------	-----------------	--------------	------------------------

RUBBER GLAND SELECTION CHART

ΦD^*	Recommended gland size
From 4.8 min to 5.8 Max	"6"
From 5.8 min to 6.8 Max	"7"
From 6.8 min to 7.8 Max	"8"
From 7.8 min to 8.8 Max	"9"
From 8.8 min to 9.8 Max	"10"
From 10.3 min to 11.3 Max	"11.5"

Gland size is written on the gland edge



*Cable diameter under the gland. If the cable has a sleeve, the diameter over the sleeve should be considered
 The tolerances of ΦD should be taken into account to make sure it is always within the specified range