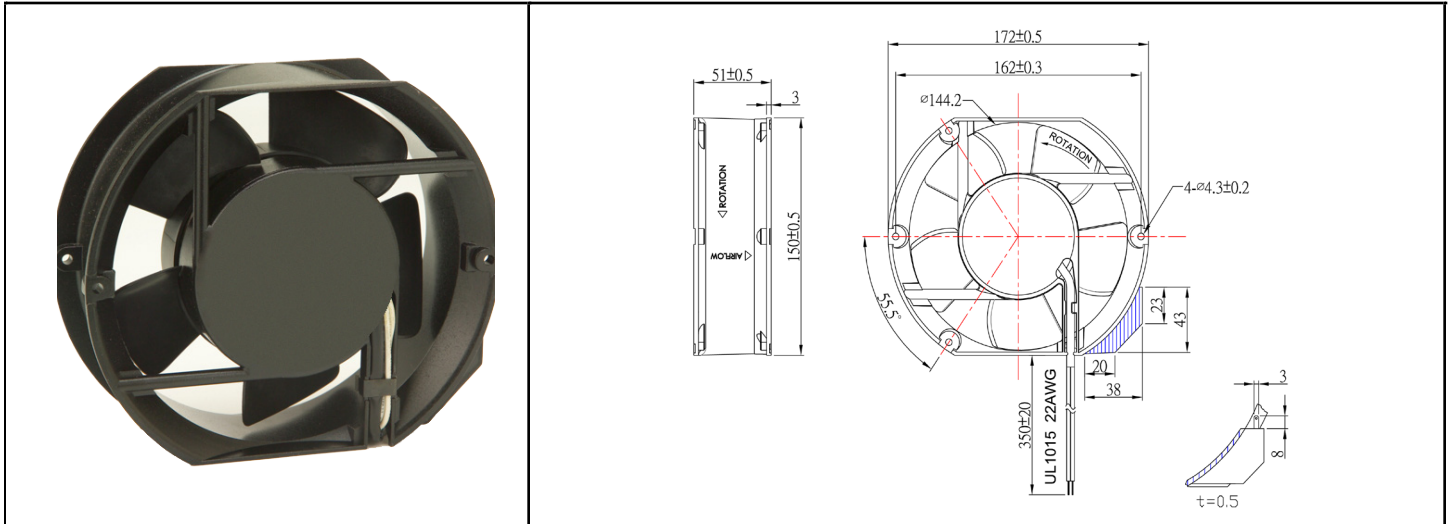


OA172EC IP68-ATEX Series



AC Fan - 115V, 230V
172x150x51mm (6.7"x2.0")



Frame	Aluminum (ADC-12)	Operating Temperature Ball Bearing -20C ~ +70C Life Expectancy Ball Bearing 50,000 hours (L10 at 40C) IP68 rating with ATEX Certification Weight 1.54 lbs m2	<p>inch 0.70 0.60 0.50 0.40 0.30 0.20 0.10 0.00 0 50 100 150 200 250 CFM AIR FLOW — 115 VAC — 230 VAC</p>
Impeller	PBT, UL94V-O plastic		
Connection	2x Lead wires,(300mm) or Terminals		
Motor	EC Motor, electronically protected		
Bearing System	Dual ball		
Insulation Resistance	10M ohm between leadwire and frame (500VDC)		
Dielectric Strength	1 sec at 1800 VAC, 50/60Hz		

Model Number	OA172EC-11-1*BIP68A	OA172EC-22-1*BIP68A
Nominal Voltage	115 VAC (50/60Hz)	230 VAC (50/60Hz)
Voltage Range	103 ~ 127 VAC (50/60Hz)	207 ~ 253 VAC (50/60Hz)
Rated Current	0.23 A	0.13 A
Nominal Power	15 W	15 W
Rated Speed (RPM)	3000	3000
Airflow (CFM)	220	220
Noise Level (dB)	57	57
Max. Static Pressure	0.62" H ₂ O	0.62" H ₂ O

● * Indicate "T" (Terminal), or "W" (12" Wire Leads)