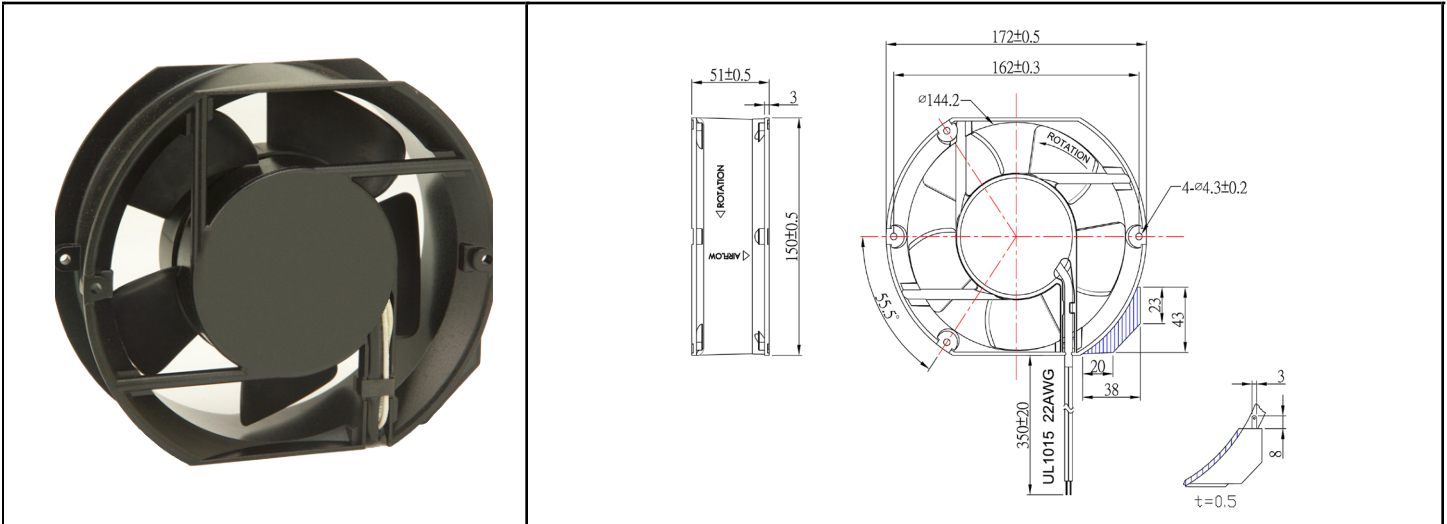


# OA172EC Series



AC Fan - 115V, 230V  
172x150x51mm (6.7"x2.0")



Frame	Aluminum (ADC-12)	Operating Temperature Ball Bearing -20C ~ +70C	
Impeller	PBT, UL94V-O plastic		
Connection	2x Lead wires,(300mm) or Terminals	Life Expectancy Ball Bearing 50,000 hours (L10 at 40C)	
Motor	EC Motor, electronically protected	Weight 1.54 lbs	
Bearing System	Dual ball		
Insulation Resistance	10M ohm between leadwire and frame (500VDC)	m2	
Dielectric Strength	1 sec at 1800 VAC, 50/60Hz		

Model Number	OA172EC-11-1*B	OA172EC-22-1*B
Nominal Voltage	115 VAC (50/60Hz)	230 VAC (50/60Hz)
Voltage Range	103 ~ 127 VAC (50/60Hz)	207 ~ 253 VAC (50/60Hz)
Rated Current	0.23 A	0.13 A
Nominal Power	15 W	15 W
Rated Speed (RPM)	3000	3000
Airflow (CFM)	220	220
Noise Level (dB)	57	57
Max. Static Pressure	0.62" H <sub>2</sub> O	0.62" H <sub>2</sub> O

● \* Indicate "T" (Terminal), or "W" (12" Wire Leads)