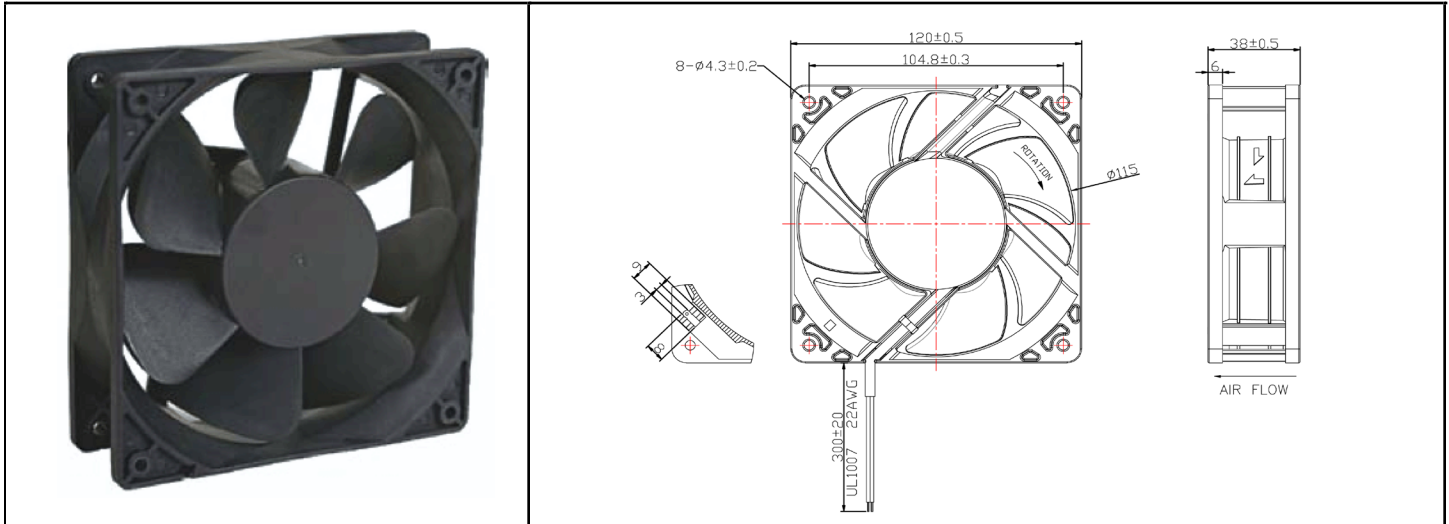


# OA109EC Series



AC Fan - 115V / 230V Universal Input  
120x38mm (4.7"x 1.5")



|                       |  |  |  |
|-----------------------|--|--|--|
| Frame                 | PBT, UL94V-O plastic                         | Operating Temperature<br>Ball Bearing<br>-20C ~ +70C         |  |
| Impeller              | PBT, UL94V-O plastic                         |  |  |
| Connection            | 2x Lead wires,(300mm) or Terminals           | Life Expectancy<br>Ball Bearing<br>60,000 hours (L10 at 40C) |  |
| Motor                 | EC Motor, electronically protected           | Weight<br>.64 lbs  |  |
| Bearing System        | Dual ball                                    |  |  |
| Insulation Resistance | >10M ohm between leadwire and frame (500VDC) | m2   |  |
| Dielectric Strength   | 1 sec at 1800 VAC, 50/60Hz                   |  |  |

|                      |                          |
|----------------------|--------------------------|
| Model Number         | OA109EC-UR-1*B           |
| Nominal Voltage      | 115/230 univ. input      |
| Voltage Range        | 90 ~ 265 VAC             |
| Rated Current        | .08A @ 115V, .06A @ 230V |
| Nominal Power        | 4.9W @ 115V, 5.2W @ 230V |
| Rated Speed (RPM)    | 3200                     |
| Airflow (CFM)        | 106                      |
| Noise Level (dB)     | 43                       |
| Max. Static Pressure | 0.34" H <sub>2</sub> O   |

\* Indicate "T" (Terminal), or "W" (12" Wire Leads)