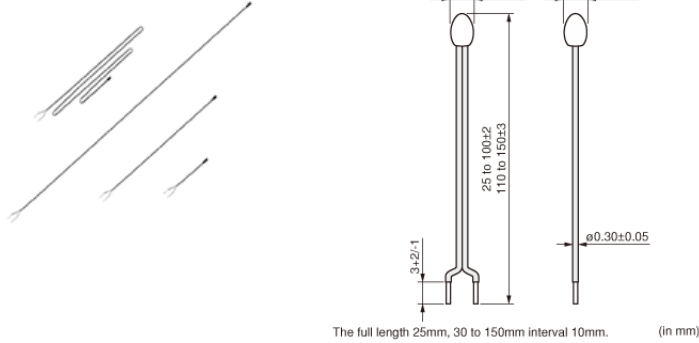


NXFT15WF104FA2B

In Production Recommended RoHS REACH

Appearance & Shape



Features

1. High accuracy and high sensibility temperature sensing is available by the small size and high accuracy NTC Thermistor.
2. Narrow space temperature sensing is available by the small sensing head and the thin lead wire.
3. Flexibility and wide variety length (25 mm to 150mm) enables designing flexible temperature sensing architectures.
4. This product is compatible with our 0402 (EIA) size chip Thermistor.
5. Excellent long time aging stability
6. This is halogen free product (Cl= max.900ppm、Br=max.900ppm and Cl+Br=max.1500ppm).
7. Lead is not contained in the product.
8. NXF series are recognized by UL/cUL (UL1434, File No.E137188).

Applications

| | |
|---------------|---|
| Limited Usage | Consumer Grade |
| Other Usage | <ol style="list-style-type: none"> 1. Temperature compensation for transistor, IC and crystal oscillator in mobile communications 2. Temperature sensor for rechargeable batteries 3. Temperature compensation of LCD 4. Temperature compensation in general use of electric circuits |

Packaging Information

| Packaging | Specifications | Minimum Order Quantity |
|-----------|----------------|------------------------|
| B | Bulk(Bag) | 1000 |

Attention

1. This datasheet is downloaded from the website of Murata Manufacturing Co., Ltd. Therefore, its specifications are subject to change or our products in it may be discontinued without advance notice. Please check with our sales representatives or product engineers before ordering.
2. This datasheet has only typical specifications because there is no space for detailed specifications. Therefore, please review our product specifications or consult the approval sheet for product specifications before ordering.

NXFT15WF104FA2B_____

Specifications

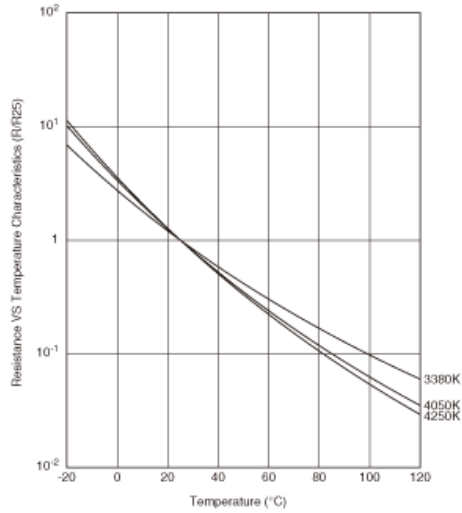
| | |
|---------------------------------------|----------------|
| Resistance (25°C) | 100kΩ |
| Resistance Value Tolerance (at 25°C) | ±1% |
| B-Constant (25/50°C) | 4250K |
| B-Constant (25/50°C) Tolerance | ±1% |
| B-Constant(25/80°C)(Reference Value) | 4303K |
| B-Constant(25/85°C)(Reference Value) | 4311K |
| B-Constant(25/100°C)(Reference Value) | 4334K |
| Maximum Operating Current (25°C) | 0.04mA |
| Rated Electric Power (25°C) | 7.5mW |
| Typical Dissipation Constant (25°C) | 1.5mW/°C |
| Thermal Time Constant | 4s |
| Operating Temperature Range | -40°C to 125°C |
| Lead Shape | Lead Wire type |
| Shape | Lead |
| Mass | 0.03g to 0.15g |

Attention

- 1.This datasheet is downloaded from the website of Murata Manufacturing Co., Ltd. Therefore, it's specifications are subject to change or our products in it may be discontinued without advance notice. Please check with our sales representatives or product engineers before ordering.
- 2.This datasheet has only typical specifications because there is no space for detailed specifications. Therefore, please review our product specifications or consult the approval sheet for product specifications before ordering.

NXFT15WF104FA2B

Product Data



Resistance-Temperature Characteristics

Attention

- 1.This datasheet is downloaded from the website of Murata Manufacturing Co., Ltd. Therefore, it's specifications are subject to change or our products in it may be discontinued without advance notice. Please check with our sales representatives or product engineers before ordering.
- 2.This datasheet has only typical specifications because there is no space for detailed specifications. Therefore, please review our product specifications or consult the approval sheet for product specifications before ordering.