



Passive Components > Resistors > Thermistors



Resistance Value: 15K Ω

Package Size Code: 0805

Beta Value: 4100 K

Mode of Operation: Negative Temperature Coefficient

Features

Product Type Features

Package Size Code	0805
-------------------	------

Electrical Characteristics

Passive Component Tolerance	5 %
Resistance Value	15K Ω

Dimensions

Product Width	1.25 mm[.049 in]
Product Length	2 mm[.078 in]
Product Height	.5 mm[.019 in]

Operation/Application

Mode of Operation	Negative Temperature Coefficient
-------------------	----------------------------------

Packaging Features

Packaging Method	Taped & Reeled
------------------	----------------

Other

Beta Value	4100 K
------------	--------

Product Compliance

[For compliance documentation, visit the product page on TE.com>](#)

EU RoHS Directive 2011/65/EU	Compliant with Exemptions
EU ELV Directive 2000/53/EC	Compliant with Exemptions



China RoHS 2 Directive MIIT Order No 32, 2016	Restricted Materials Above Threshold
EU REACH Regulation (EC) No. 1907/2006	Current ECHA Candidate List: JAN 2024 (240) Candidate List Declared Against: JUNE 2023 (235) Does not contain REACH SVHC
Halogen Content	Not Yet Reviewed for halogen content
Solder Process Capability	Reflow solder capable to 260°C

Product Compliance Disclaimer

This information is provided based on reasonable inquiry of our suppliers and represents our current actual knowledge based on the information they provided. This information is subject to change. The part numbers that TE has identified as EU RoHS compliant have a maximum concentration of 0.1% by weight in homogenous materials for lead, hexavalent chromium, mercury, PBB, PBDE, DBP, BBP, DEHP, DIBP, and 0.01% for cadmium, or qualify for an exemption to these limits as defined in the Annexes of Directive 2011/65/EU (RoHS2). Finished electrical and electronic equipment products will be CE marked as required by Directive 2011/65/EU. Components may not be CE marked. Additionally, the part numbers that TE has identified as EU ELV compliant have a maximum concentration of 0.1% by weight in homogenous materials for lead, hexavalent chromium, and mercury, and 0.01% for cadmium, or qualify for an exemption to these limits as defined in the Annexes of Directive 2000/53/EC (ELV). Regarding the REACH Regulation, the information TE provides on SVHC in articles for this part number is based on the latest European Chemicals Agency (ECHA) 'Guidance on requirements for substances in articles' posted at this URL: <https://echa.europa.eu/guidance-documents/guidance-on-reach>

Compatible Parts

TE Part # 1624368-2
NTC0805 5% 6K8

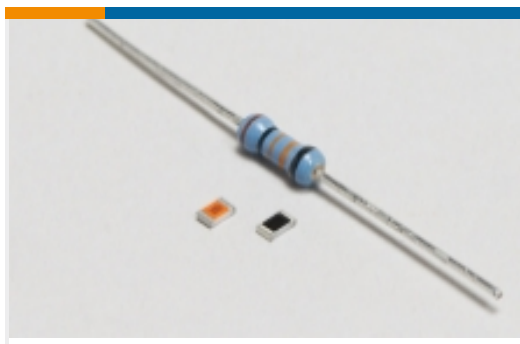
TE Part # 1624344-2
NTC0805 5% 100K

TE Part # 1624360-2
NTC0805 5% 3K0

TE Part # 1624345-1
NTC0805 5% 10K

TE Part # 1624352-1
NTC0805 5% 220R

Also in the Series | [Neohm NTC](#)

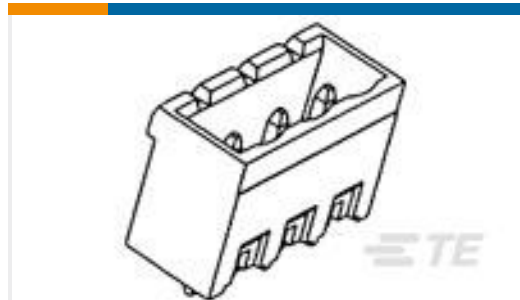


Thermistors(25)

Customers Also Bought



TE Part # 8-2176070-3
3521 27K 1% 2W



TE Part # 796642-2
2POS 5.0MM CE VRT HDR,TRM BLK



TE Part # 5211450-1
5 CIRC DIN RCPT GRND CLIP



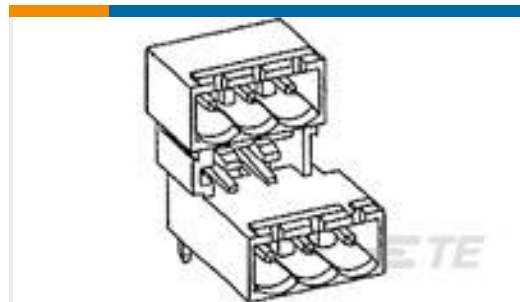
TE Part # 170721-2
SOLISTRAND RINGTONG



TE Part # 1625960-1
HBA RE 100M 1% 100PPM



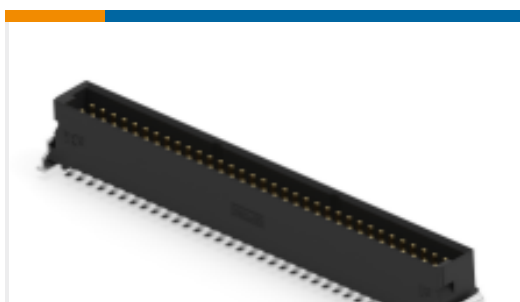
TE Part # 531230-2
SHUNT, .200 C/L,LP,2 POS, 15AU



TE Part # 284061-8
TERMI-BLOK HDR 90, 5,08MM P.MU



TE Part # 154805-E
SMCB 12 F AB VV 7-13 CL * H007 137 E002



TE Part # 244839-E
SMCQ 68 M AB VV 8-13 CL * H007 137 E005

Documents

Product Drawings

[NTC0805 5% 15K](#)

English

CAD Files

[3D PDF](#)

3D

[Customer View Model](#)

[ENG_CVM_CVM_1624348-2_BA.2d_dxf.zip](#)



English

Customer View Model

[ENG_CVM_CVM_1624348-2_BA.3d_igs.zip](#)

English

Customer View Model

[ENG_CVM_CVM_1624348-2_BA.3d_stp.zip](#)

English

By downloading the CAD file I accept and agree to the [Terms and Conditions](#) of use.

Datasheets & Catalog Pages

[1309350_PASSIVE_COMPONENT](#)

English

[Negative Temperature Coefficient Chip Thermistors - Type NTC Series](#)

English