

(0.80 mm) .0315" X (1.80 mm) .071"

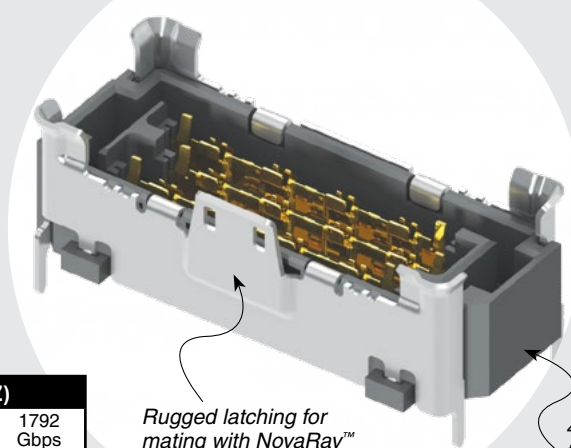
EXTREME DENSITY & PERFORMANCE

SPECIFICATIONS

Insulator Material: Black LCP
Contact Material: Copper Alloy
Shield: Copper Alloy
Plating: Au or Sn over 50 μ" (1.27 μm) Ni
Current Rating: Testing Now!
RoHS Compliant: Yes
Lead-Free Solderable: Yes

Mates with:
NVAC

NRZ	PAM4
56 Gbps	112 Gbps



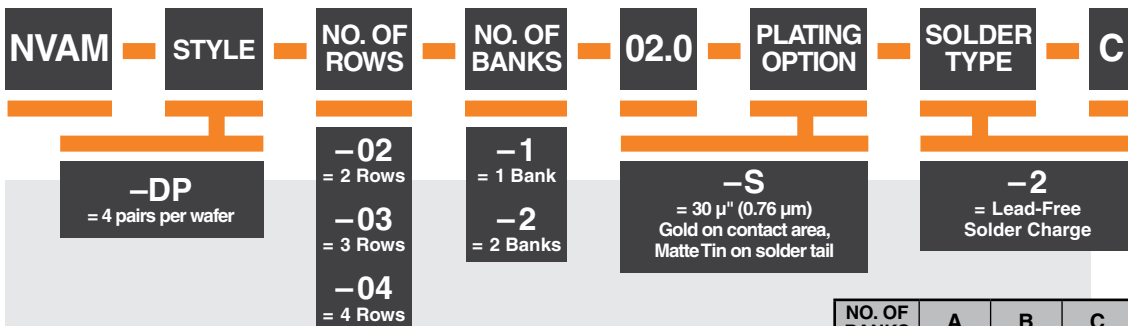
Up to 4.0 Tbps aggregate data rate

Rugged latching for mating with NovaRay™ cable (NVAC Series)

40 percent smaller than conventional cable connectors

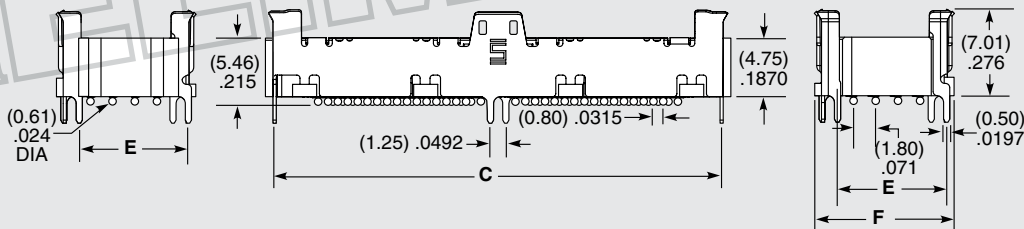
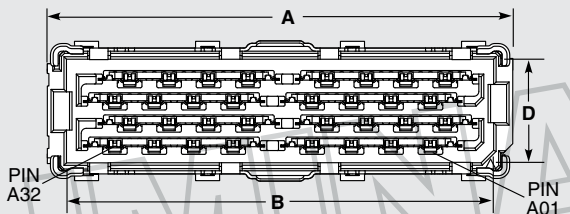
AGGREGATE DATA RATE (NRZ)

448 Gbps	672 Gbps	896 Gbps	1344 Gbps	1792 Gbps
1 Bank		2 Bank		
2 Row	3 Row	4 Row	2 Row	3 Row
8 Pairs	12 Pairs	16 Pairs	24 Pairs	32 Pairs



NO. OF BANKS	A	B	C
-1	(21.75) .856	(18.65) .734	(20.25) .797
-2	(37.75) 1.486	(34.65) 1.364	(36.25) 1.427

NO. OF ROWS	D	E	F
-02	(4.80) .189	(5.25) .207	(7.70) .303
-03	(6.60) .260	(7.05) .278	(9.50) .374
-04	(8.40) .331	(8.85) .348	(11.30) .445



NVAM-DP-04-2-02.0-X-X-C SHOWN

Note: Some sizes, styles and options are non-standard, non-returnable.