

LM96570 Ultrasound Configurable Transmit Beamformer

Check for Samples: [LM96570](#)

FEATURES

- Full control over selecting beam directions and pulse patterns by programming individual channel parameters
- Outputs interface seamlessly with positive and negative inputs on octal high-voltage pulser ICs
- Beamformer timing provides:
 - Delay resolution of 0.78 ns
 - Delay range of up to 102.4 μ s

- Pulse patterns are locally generated with:
 - Sequences of up to 64 pulses
 - Adjustable Pulse widths
- 2.5V to 3.3V CMOS logic interface

APPLICATIONS

- Ultrasound Imaging

DESCRIPTION

The LM96570 is an eight-channel monolithic beamformer for pulse generators in multi-channel medical ultrasound applications. It is well-suited for use with National's LM965XX series chipset which offers a complete medical ultrasound solution targeted towards low-power, portable systems.

The LM96570 offers eight P and N output channels with individual delays of up to 102.4 μ s operating at pulse rates of up to 80 MHz. A pulse sequence is launched on all channels simultaneously through a single firing signal. Advanced features include delay resolution down to 0.78 ns and programmable patterns of up to 64 pulses. Pulse patterns and delay settings are pre-programmed through a serial interface, thereby simplifying the timing requirements on the driving circuitry.

The LM96570 is packaged in a 32-pin LLP.

Table 1. Key Specifications

I/O voltage	2.5 to 3.3	V
Core supply voltage	1.8	V
Output pulse rate	80	MHz
Reference frequency	40 (\pm 5%)	MHz
1 σ Output Jitter (@ 5MHz)	25	ps
Output Phase Noise (@ 5MHz, 1kHz offset)	-116	dBc/Hz
Delay resolution	0.78	ns
Delay range	102.4	μ s
Max. pattern length	64	pulses
Serial interface speed	80	Mbps
Total Power	0.063	Watts
Operating Temp.	0 to +70	$^{\circ}$ C



Please be aware that an important notice concerning availability, standard warranty, and use in critical applications of Texas Instruments semiconductor products and disclaimers thereto appears at the end of this data sheet.

All trademarks are the property of their respective owners.

Typical Application

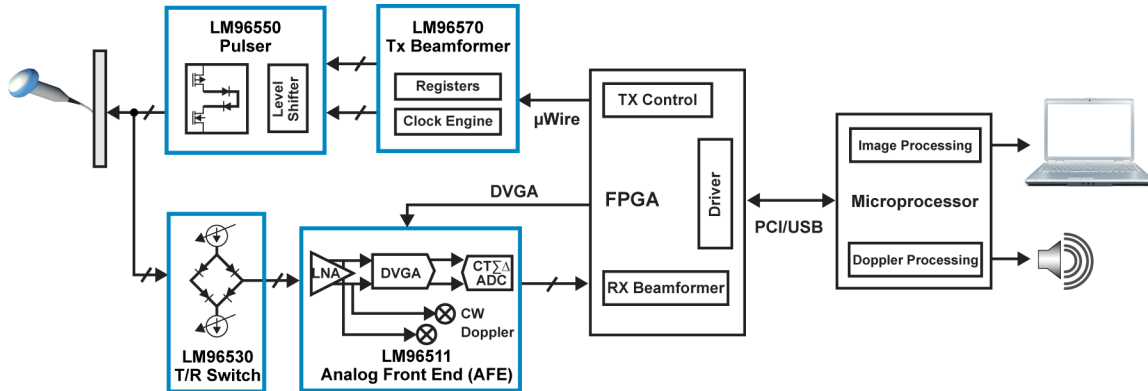


Figure 1. 8-Channel Transmit/Receive Chipset

Connection Diagram

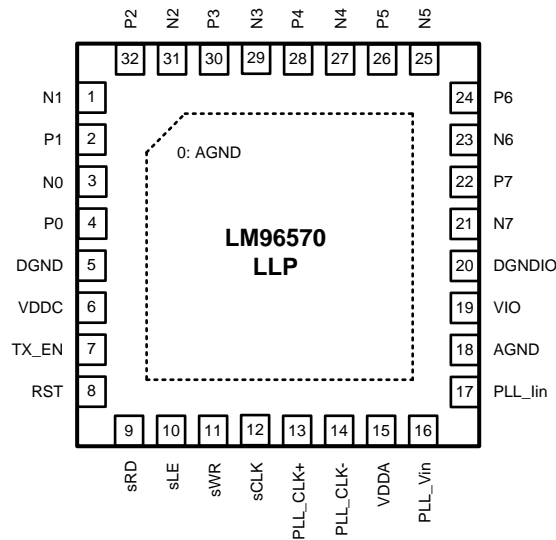


Figure 2. Pin Diagram of LM96570

Pin Functions

Pin Descriptions

Pin No.	Name	Type	Function and Connection
1 – 4, 21 – 32	P0-7, N0-7	Output	Control signals for pulser. P outputs control positive pulses and N outputs control negative pulses. See logic Table 2.
13	PLL_CLK+	Input	PLL Reference Clock PLUS Input, LVDS compatible or Single-Ended LV CMOS input, programmable through 4-Wire Serial Interface (Register 1Bh[0])
14	PLL_CLK-	Input	PLL Reference Clock MINUS input, LVDS compatible. For Single-Ended PLL Reference Clock operation, tie this pin to AGND or VDDA.
7	TX_EN	Input	1 = Beamformer starts firing 0 = Beamformer ceases firing

Pin Descriptions (continued)

Pin No.	Name	Type	Function and Connection
16	PLL_Vin	Input	Voltage range 0.8-1.2V for tuning internal PLL noise performance. Under normal conditions, 0.94V is recommended.
17	PLL_lin	Input	100 μ A current input
8	RST	Input	Asynchronous Chip Reset 1 = Reset 0 = No Reset
12	sCLK	Input	4-Wire Serial Interface Clock
10	sLE	Input	4-Wire Serial Interface Latch Enable
11	sWR	Input	4-Wire Serial Interface Data Input for writing data registers
9	sRD	Output	4-Wire Serial Interface Data Output for reading data registers
15	VDDA	Power	Analog supply voltage (1.8V)
6	VDDC	Power	Digital core supply voltage (1.8V)
19	VIO	Power	Digital I/O supply voltage (2.5 to 3.3V)
0, 18	AGND	Ground	PLL Analog ground
5	DGND	Ground	Digital core ground
20	DGNDIO	Ground	Digital I/O ground



These devices have limited built-in ESD protection. The leads should be shorted together or the device placed in conductive foam during storage or handling to prevent electrostatic damage to the MOS gates.

Absolute Maximum Ratings ⁽¹⁾

ESD Tolerance ⁽²⁾	
Human Body Model	2kV
Machine Model	200V
Charge Device Model	750V
Maximum Junction Temperature (T_{JMAX})	+150°C
Storage Temperature Range	-40°C to +125°C
Supply Voltage (VDDA)	-0.3V to +2.0V
Supply Voltage (VDDC)	-0.3V and +2.0V
Supply Voltage (VIO)	-0.3V and +3.6V
Voltage at Analog Inputs	-0.3V and VDDA+0.3V
Voltage at Logic Inputs	-0.3V and VIO+0.3

- (1) **Absolute Maximum Ratings** are those values beyond which the safety of the device cannot be guaranteed. They are not meant to imply that the device can or should be operated at these limits. **Operating Ratings** indicate conditions for which the device is guaranteed to be functional, but do not guarantee specific performance limits. Guaranteed specifications and test conditions are specified in the Electrical Characteristics section. Operation of the device beyond the Operating Ratings is not recommended as it may degrade the lifetime of the device.
- (2) Human Body Model, applicable std. JESD22-A114-C. Machine Model, applicable std. JESD22-A115-A. Field induced Charge Device Model, applicable std. JESD22-C101-C.

Operating Ratings ⁽¹⁾

Operating Temperature Range (T_A)	0°C to + 70°C
VDDA, Analog Supply	+1.71V to +1.89V
VDDC, Digital Core Supply	+1.71V to +1.89V
VIO, Digital IO Supply	+2.37 to +3.47

- (1) **Absolute Maximum Ratings** are those values beyond which the safety of the device cannot be guaranteed. They are not meant to imply that the device can or should be operated at these limits. **Operating Ratings** indicate conditions for which the device is guaranteed to be functional, but do not guarantee specific performance limits. Guaranteed specifications and test conditions are specified in the Electrical Characteristics section. Operation of the device beyond the Operating Ratings is not recommended as it may degrade the lifetime of the device.

Operating Ratings ⁽¹⁾ (continued)

Package Thermal Resistance (θ_{JA}) ⁽²⁾	37°C/W
---	--------

- (2) The maximum power dissipation is a function of T_{JMAX} , θ_{JA} and T_A . The maximum allowable power dissipation at any ambient temperature is $P_D = (T_{JMAX} - T_A) / \theta_{JA}$. All numbers apply for package soldered directly into a 2 layer PC board with zero air flow.

Analog Electrical Characteristics

Unless otherwise stated, the following conditions apply VIO = +3.3V, VDDA = VDDC = +1.8V, TA = 25°C.

Pin	Parameter	Conditions	Min	Typ	Max	Units
	PLL Phase Noise	5MHz pulse rate, 1kHz offset		-116		dBc/Hz
VDDA	Power Supply Current	Register with No Pattern (08h - 19h)			18.5	mA
VDDC					2.4	
VIO					0.3	
VDDA	Power Supply Current	Register Default Pluse Pattern (08h - 19h), TX_EN = 15 kHz, Pulse rate = 5 MHz		16.0		mA
VDDC				6.50		
VIO				13.4		
PLL_CLK+	PLL Reference Clock Frequency		38	40	42	MHz

Beamformer Output Timing Characteristics

Unless otherwise stated, the following conditions apply VIO = +3.3V, VDDA = VDDC = +1.8V, T_A = 25°C.

Symbol	Parameter	Conditions	Min	Typ	Max	Units
	Output Pulse Rate		0.625		80	MHz
	Output Delay Range			102.4		μs
	Output Delay Resolution			0.78		ns
	Output Pattern Length				64	Pulses
t _{OD}	Output Propagation Delay	Delay Profile (00–07h) = 0 Asynchronous TX_EN	32		47.5	ns
t _{R/F}	Output Rise/Fall	I _{LOAD} = 2mA		0.5	1.9	ns

Digital Electrical Characteristics

Unless otherwise stated, the following conditions apply VIO = +3.3V, VDDA = VDDC = +1.8V, TA = 25°C.

Symbol	Parameter	Conditions	Min	Typ	Max	Unit
PLL DIFFERENTIAL REFERENCE CLOCK DC SPECIFICATIONS						
V _{ID}	PLL Reference Clock Differential Input Amplitude	AC Coupled to pins 13 & 14. 1B[0] = 0 (see ⁽¹⁾)	200	400		mV
V _{ICM}	PLL Reference Clock Input Common Mode Voltage	Pins 13 & 14 bias voltage, VICM ≈ 0.5 X VDDA		0.9		V
R _{IN}	Single-ended Input Resistance			11		kΩ
PLL 1.8V LVCMOS SINGLE-ENDED REFERENCE CLOCK DC SPECIFICATIONS						
V _{IH}	LVCMOS Input "HI" Voltage	Pin 13. Register 1B[0] = 1	1.5			V
V _{IL}	LVCMOS Input "LO" Voltage	Pin 13. Register 1B[0] = 1			0.3	
R _{IN}	LVCMOS Input Resistance	Pin 13 = 0V or VIO		11		kΩ
3.3V I/O DC SPECIFICATIONS						
V _{IH}	Logic Input "HI" Voltage		2.2			V
V _{IL}	Logic Input "LO" Voltage				0.5	
I _{IN-H/L}	Input Current		-1		1	μA
V _{OH}	Logical Output "HI" Voltage	I _{OH} = 2 mA	2.9			V
V _{OL}	Logical Output "LO" Voltage	I _{OL} = 2 mA			0.34	
I _{O-H/L}	Logic Output Current			±10		mA

- (1) The combination of common mode and voltage swing on the clock input must ensure that the positive voltage peaks are not above VDDA and the negative voltage peaks are not below AGND.

Serial Interface Timing Characteristics

Unless otherwise stated, the following conditions apply VIO = +3.3V, VDDA = VDDC = +1.8V, TA = 25°C.

Symbol	Parameter	Conditions	Min	Typ	Max	Units
t _{LES}	sLE Setup Time		1.4			ns
t _{LEH}	sLE Hold Time		1.9			
t _{LEHI}	sLE HI Time		2.4			
t _{WS}	sWR Setup Time		1.4			
t _{WH}	sWR Hold Time		2.4			
t _{RS}	sRD Data Valid Setup Time			6.3		
t _{RH}	sRD Data Valid Hold Time			6.2		ns
t _{SCLKR}	sCLK Rise Time			1.7		
t _{SCLKF}	sCLK Fall Time			1.7		ns
t _{SCLKH}	sCLK High Time		2.4			
t _{SCLKL}	sCLK Low Time		3.4			
f _{SCLK}	sCLK Frequency				80	

Timing Diagrams

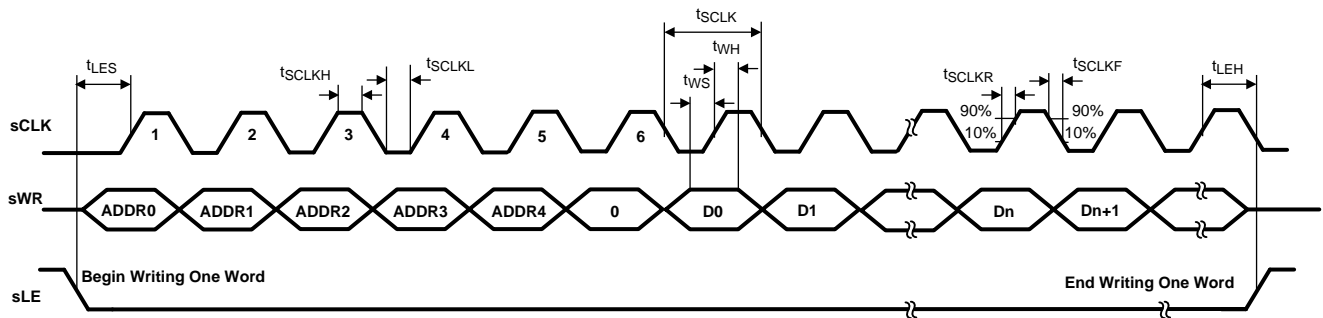


Figure 3. 4-Wire Serial Interface WRITE Timing

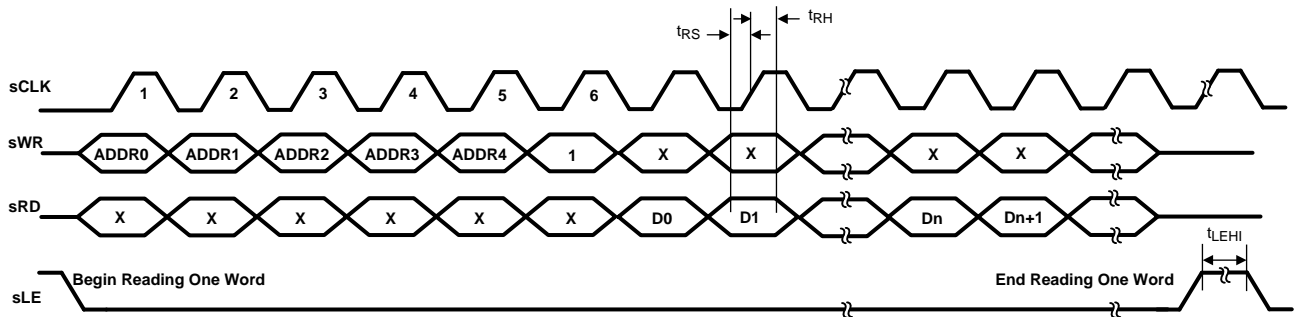
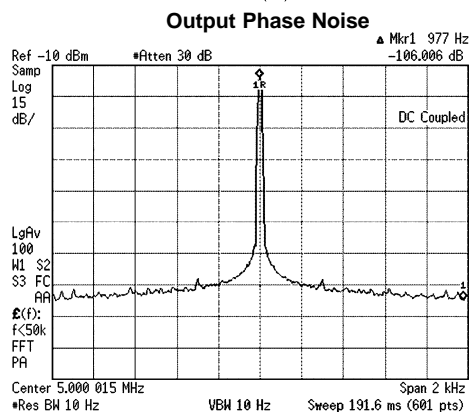
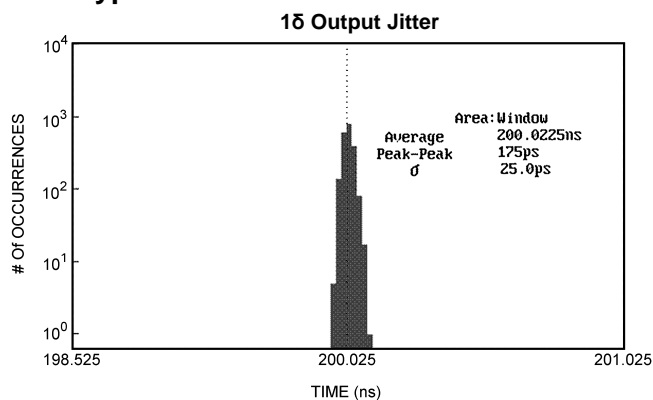


Figure 4. 4-Wire Serial Interface READ Timing

Typical Performance Characteristics



Overview

The LM96570 beamformer provides an 8-channel transmit side solution for medical ultrasound applications suitable for integration into multi-channel (128 / 256 channel) systems. Its flexible, integrated pulse pattern generation and delay architecture enables low-power designs suitable for ultra-portable applications. A complete system can be designed using National’s companion LM9655x chipset.

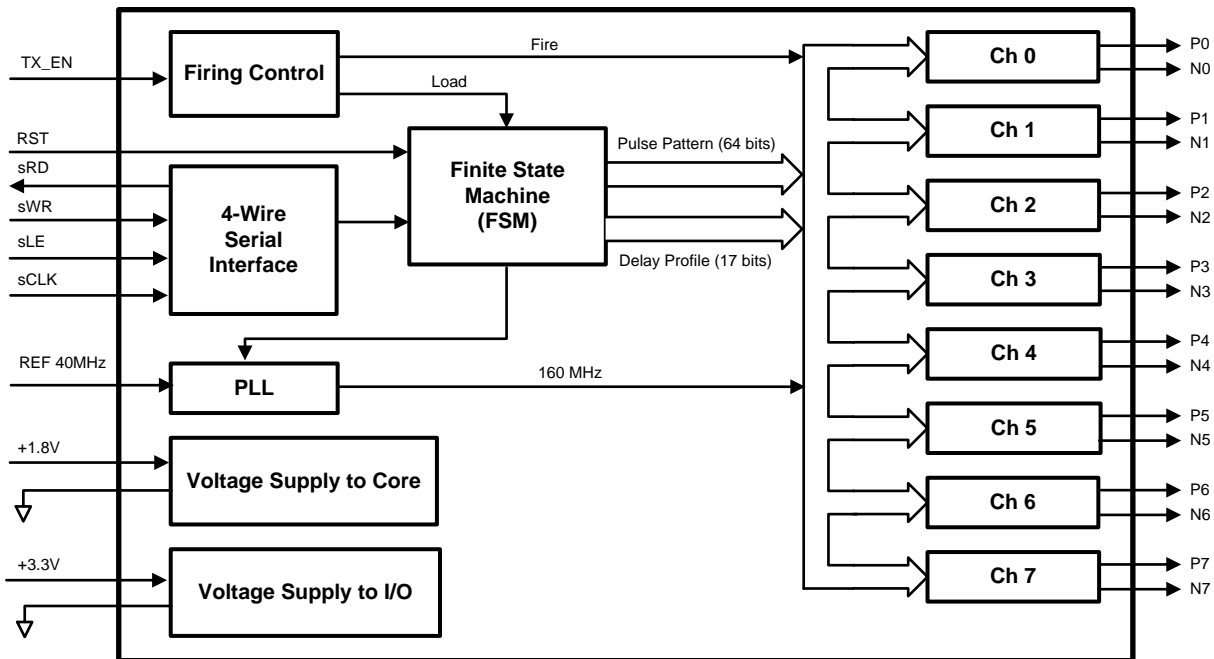


Figure 5. Block Diagram of Beamformer with Pattern and Delay Generator

A functional block diagram of the IC is shown in [Figure 5](#). Each of the 8 output channels are designed to drive the positive and negative pulse control inputs, P_n and N_n, respectively, of a high-voltage ultrasound pulser, such as the LM96550. Upon assertion of the common firing signal, each channel launches an individually programmable pulse pattern with a maximum delay of 102.4μs in adjustable increments of 0.78 ns. The length of a fired pulse pattern can extend up to 64 pulses. Accurate timing of the pulse generation is enabled by an on-chip PLL generating 8-phase 160 MHz internal clocks derived from an external differential or single-ended 40MHz reference.

The pulse patterns and delay settings can be programmed into and read out from the individual channel controls via a four-wire serial interface. When the Latch Enable signal (sLE) is low, the targeted on-chip registers can be written through the serial data Write pin (sWR) at the positive clock edge (sCLK). In the same way, they can also be read out through the serial data Read pin (sRD). The writing and reading operations have the same timing requirements, which are shown in [Figure 3](#) and [Figure 4](#). The serial data stream starts with a 6-bit address, in which the first 5-bits identify the mode of updating which is interpreted by the Finite State Machine (FSM), and the sixth bit of the address indicates the 4-wire serial operation, either “WRITE” (0) or “READ” (1). The address is followed by the data word, whose length can vary from 8 bits to 64 bits. The data stream starts with the LSB and ends with the MSB. The first 5-bit address indicates which of the 27 registers is being accessed. The register map is shown in [Table 4](#). In each 4-wire serial operation, only one register can be written to or read from at a time. TX_EN must be inactive during 4-wire serial interface operation.

Upon a rising edge of the transmit signal “TX_EN”, the internal “Fire” signal is pulled high after an internal propagation delay relative to TX_EN elapses. Then the delay counter of each channel begins counting according to the programmable delay profile. When the counter reaches the 17-bit programmed delay value, the programmed pulse pattern is sent out continuously at the programmed frequency until it reaches the length of the pulse pattern.

The interface is compatible with CMOS logic powered at 2.5V or 3.3V. The internal core supply is derived from 1.8V referenced to 0V.

Functional Description

P/N OUTPUT PATTERN PROGRAMMING

The output pulse pattern for each of the 8 P channels is set by programming registers 08h to 0Fh, respectively. The output pulse pattern for each of the 8 N channels is set by programming registers 10h to 17h, respectively. Programming each bit of these registers yields P/N output pulses according to [Table 2](#). Each bit represents one pulse, thus the full bit stream of each register is equivalent to one full length pulse pattern. However, note that the LSB of the register is transmitted as an output pulse first and the MSB is transmitted as an output pulse last. For example: a register value of “10110100” will yield an output pulse pattern versus time such as “00101101”.

Table 2. Truth Table — Beamformer Output-to-Pulser Output

P Pattern Register Bit Value	N Pattern Register Bit Value	Beamformer P Output	Beamformer N Output	Pulser Output
0	0	0	0	0
1	0	1	0	VPP – 0.7V
0	1	0	1	VNN + 0.7V
1	1	0	0	0

If the user wishes to program the same pulse pattern for all 8 P channels or all 8 N channels, there are two additional “global channel” registers available for ease and convenience. Programming a pulse pattern via Register 18h will internally apply the same pulse pattern to all 8 P channels. Similarly, programming a pulse pattern via Register 19h will internally apply the same pulse pattern to all 8 N channels.

These bit depths of these registers, i.e., pulse pattern lengths, are user-programmable via bits 0 to 2 of Register 1Ah. These 3 bits (1Ah[2:0]) determine the bit depth or pulse pattern according to [Table 3](#). The outputs will not function correctly if a different number of bits, inconsistent with what is set by Register 1Ah[2:0], is programmed into any of the registers, 08h to 19h.

Table 3. Pulse Pattern Length Truth Table

1Ah[2:0]	Registers 08h to 19h Bit Depth	Pulse Pattern Length
000	4 bits	4 pulses
001	8 bits	8 pulses
010	16 bits	16 pulses
011	24 bits	24 pulses
100	32 bits	32 pulses
101	40 bits	40 pulses
110	48 bits	48 pulses
111	64 bits	64 pulses

DELAY ADJUSTMENT

The delay between the rising edge of the TX_EN signal and the first programmed P/N output pulse typically consists of: (1) an internal propagation delay relative to the TX_EN rising edge plus (2) a user-programmed delay value. The internal propagation delay is specified in the Beamformer Output Timing Characteristics with the programmable delay set at 0.

The user-defined delay value is set by programming the 17 Least Significant Bits in Registers 00h to 07h for each of the 8 output channels, respectively. The 17 Least Significant Bits in Delay Profile Registers 00h to 07h (00-07h[17:0]) are further divided into Coarse Delay Adjustment bits and Fine Delay Adjustment bits.

Coarse Delay Adjustment

Bits 3 to 16 (00-07h[16:3]) set the internal programmable counter, which in turn set the coarse delay value. These 14 bits control the number of internal clock cycles (ranging from 0 to 16,383) that the P/N output is delayed in addition to the internal propagation delay.

Fine Delay Adjustment

Bits 0 to 2 (00-07h[2:0]) set the clock phase for the internal programmable counter, which in turn set the fine delay value. In addition to the coarse delay, these 3 bits control the fractional amount of delay that the P/N output is delayed by relative to the internal Fire signal. The fine delay is phase adjustable in increments of 1/8 of an internal clock cycle, i.e., 45°. See Figure 6.

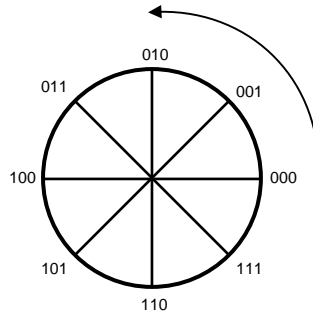


Figure 6. Fine Delay Adjustment (00–07h[2:0]) in 1/8 Internal Clock Phase Steps

Since an internal clock cycle is 6.25 ns, the total 17-bit user-programmable delay ranges from 0 up to approximately 102.4µs.

The following example illustrates a 64-bit pulse pattern with various delay profiles. Here, the user-programmable pulse output frequency is 10 MHz. The delays are programmed such that the delay between adjacent channels is approximately 13.28 ns, which is 2 coarse delays plus one fine delay (1 coarse step or internal clock cycle = 6.25 ns & 1 fine step or 1/8 internal clock cycle = 0.78 ns).

Ch.	Register	Data	Fire Delay
Ch 0	Reg. 00h	00 000 00000000000000 000 b	no user-programmed delay
Ch 1	Reg. 01h	00 000 000000000000010 001 b	2 coarse delays + 1 fine delay
Ch 2	Reg. 02h	00 000 00000000000100 010 b	4 coarse delays + 2 fine delay
Ch 3	Reg. 03h	00 000 00000000000110 011 b	6 coarse delays + 3 fine delay
Ch 4	Reg. 04h	00 000 0000000001000 100 b	8 coarse delays + 4 fine delay
Ch 5	Reg. 05h	00 000 0000000001010 101 b	10 coarse delays + 5 fine delay
Ch 6	Reg. 06h	00 000 0000000001100 110 b	12 coarse delays + 6 fine delay
Ch 7	Reg. 07h	00 000 0000000001110 111 b	14 coarse delays + 7 fine delay

Here, the pulse pattern may be programmed to each individual channel via Registers 08h to 0Fh for the P channels and 10h to 17h for the N channels with the following 64 bits of data (shown in hexadecimal format).

Channel	Register	Data
P part Ch 0 - 7	Reg. 08h - 0Fh	5555 5555 5555 5555 h
N part Ch 0 - 7	Reg. 10h - 17h	AAAA AAAA AAAA AAAA h

Alternatively, since these 8 channels have the same pulse patterns, they can also be programmed directly to Register 18h (P part of pulse pattern) and Register 19h (N part of pulse pattern) instead of writing the same pulse pattern to each individual channel 8 times.

Channel	Register	Data
P part Ch 0 - 7	Reg. 18h	5555 5555 5555 5555 h
N part Ch 0 - 7	Reg. 19h	AAAA AAAA AAAA AAAA h

Figure 7 shows the Beamformer channel outputs and TX_EN timing. After the internal propagation delay has elapsed, each channel counts its programmed delay value. When it reaches this value, it will transmit the programmed pulse pattern. Channel 0, which has no user-programmed delay, outputs first and then is followed by Channel 1 after 2 coarse delays plus one fine delay (13.28 ns). Each bit of the 64-bit register’s pulse pattern is continuously transmitted from its LSB to MSB until all 64 bits are output.

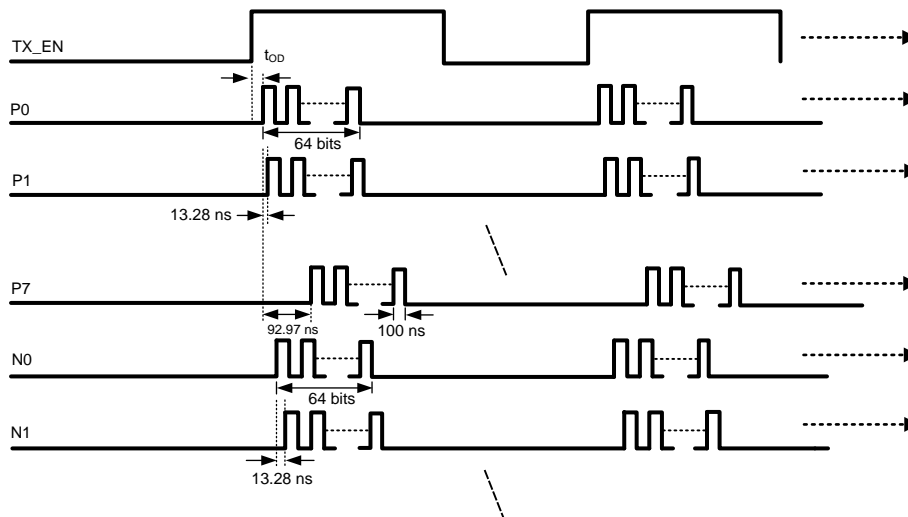


Figure 7. Beamformer Output Example

PULSE WIDTH ADJUST

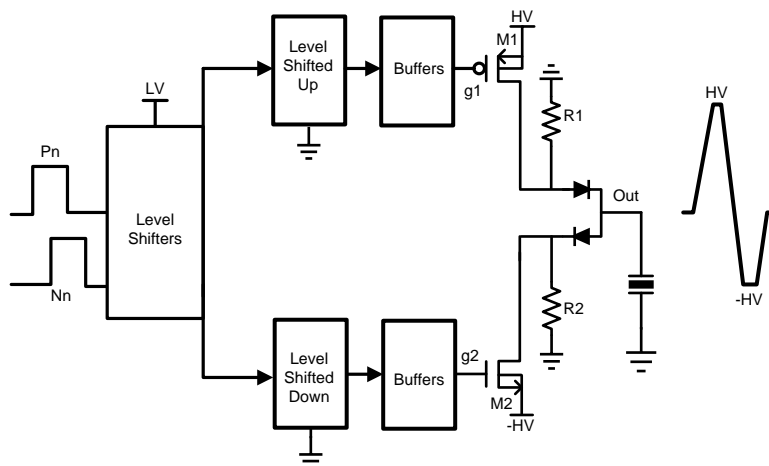


Figure 8. High-Voltage Pulser

Figure 8 is a diagram for a high-voltage pulser such as the LM96550. The input control signals Pn/Nn are provided by the beamformer output. These signals are level shifted up/down to the high voltage “HV”/“-HV” and buffered to drive the output stage of M1/M2 to generate high-voltage outputs. High linearity and low distortion are typically required for pulser outputs. To achieve this, the duty cycles of output pulses should be as close to 50% as possible. Due to the non-ideal nature and differences between the two signal paths, from Pn to g1, and from Nn to g2, it is very difficult to achieve an ideal 50% duty cycle at the pulser outputs, even if the Pn and Nn inputs are perfectly at equal pulse width.

To address this challenge, the LM96570 can tune the pulse width of its outputs Pn/Nn to compensate the path difference, as shown in Figure 9. In the ideal case, the pulse width of Pn and Nn is equal, $tp1'=tp2'$, and the corresponding pulser output duty cycle is 50%, $tp1=tp2$. However, in the typical case, $tp1$ is not equal to $tp2$; instead, for example, $tp1 > tp2$. The LM96570 can then change the pulse width of Pn and Nn so that $tp1' < tp2'$ to compensate for the difference, thus making $tp1=tp2$. (See the right half of Figure 9.) Since Pn and Nn and low-voltage signals, it is much easier to control their timing. After such pulse width adjustments are made, the output of the pulser will have the desired duty cycle.

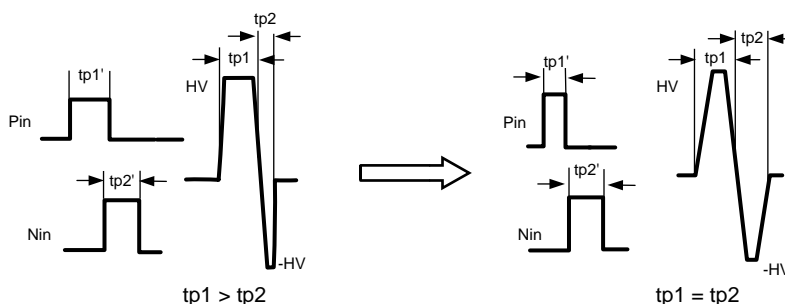


Figure 9. Duty Cycle Adjustment

Pulse Width Adjustment is achieved indirectly by exploiting the fact that the P and N pulses never overlap and by manipulating the phase delays of the P and N outputs relative to each other. For example, delaying P relative to N will reduce the pulse width of P and increase the pulse width of N. Similarly, delaying N relative to P will reduce the pulse width of N and increase the pulse width of P. Thus, adjusting the relative P to N phase delay essentially has the effect of adjusting the P and N pulse widths.

Bits 20 and 21 of Registers 00h to 07h enable the Pulse Width Adjustment feature and also specify which output (P or N) is to be phase delayed relative to the other according to the following table:

00-7h[21:20]	
00	Pulse Width Adjustment Disabled, i.e., each channel's P and N outputs are latched out by the same clock.
01	N Output Pulse Width Adjustment Enabled, i.e., N is delayed, while P remains undelayed. As a result, because the P and N outputs never overlap, N's pulse width decreases, while P's pulse width increases.
10	P Output Pulse Width Adjustment Enabled, i.e., P is delayed, while N remains undelayed. As a result, because the P and N outputs never overlap, P's pulse width decreases, while N's pulse width increases.
11	Pulse Width Adjustment Disabled, i.e., each channel's P and N outputs are latched out by the same clock.

Bits 17 to 19 of Registers 00h to 07h determine the amount of relative P to N phase delay, and vice-versa. These 3 bits (00-07h[19:17]) set the alternative clock phase by which the output (P or N) will lag. For example, if P Pulse Width Adjust is enabled for Channel 1 (00h[21:20] = "10"), then the 3 bits (00h[19:17]) set the alternative clock phase by which the P output will lag relative to the N output, which clock phase is still set by 00h[2:0].

The pulse width adjusted output is delayed relative to the other output according to the following phase angle / internal clock fractional step diagram. The relative delay, t_{RD} , is determined by phase lag of the alternative clock phase with reference to the original clock phase set by bits 0 to 2. If bits 17 to 19 are the same as bit 0 to 3, the relative delay is 360° , which is equivalent to one step of coarse delay, i.e. t_{RD} is one system clock period, 6.25ns.

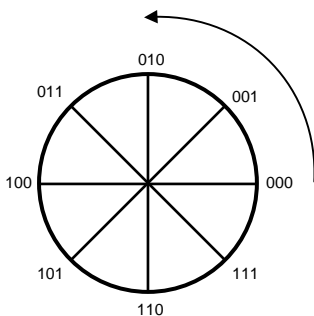


Figure 10. Pulse Width Adjustment (00–07h[19:17]) in 1/8 Internal Clock Phase Steps

Figure 11 illustrates the Pulse Width Adjust operation in further detail. In this example, 00h[21:20] = “01”. Internally both original P and original N have an alternative phase version that lags their original phase version. Alternative phase is set by the value in 00h[19:17]. The P output is the OR’d result of the original P with the internally delayed P’, while the N output is the AND’d result of the original N with the internally delayed N’. The outcome is: (1) the N output is delayed, while the P output remains undelayed; (2) the P output pulse width has increased, while the N output pulse width has decreased.

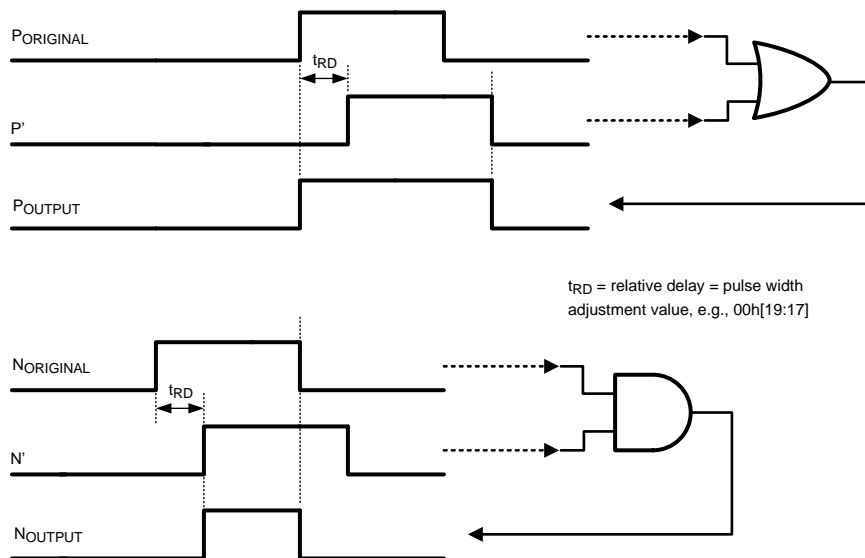


Figure 11. Pulse Width Adjustment (00h[21:20] = “01”)

Figure 12 illustrates a similar example, where 00h[21:20] = “10”. Here, the P output is the AND’d result of the original P with the internally delayed P’, while the N output is the OR’d result of the original N with the internally delayed N’. The outcome is: (1) the P output is delayed, while the N output remains undelayed; (2) the P output pulse width has decreased, while the N output pulse width has increased.

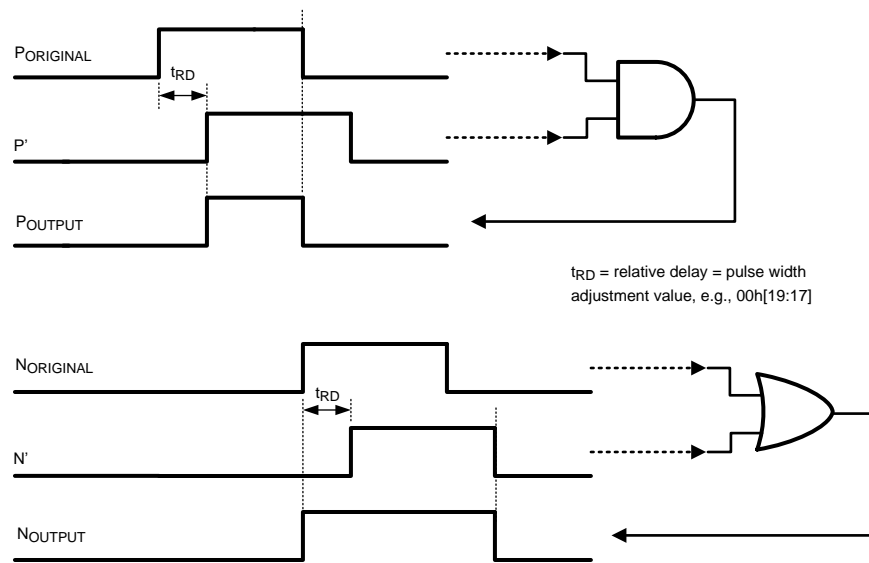


Figure 12. Pulse Width Adjustment (00h[21:20] = “10”)

In the case where Pulse Width Adjustment is enabled and a Fire Delay Profile is programmed, the total output delay relative to the TX_EN signal for the Pulse Width Adjusted output is [the internal propagation delay] + [the programmed delay value] + [pulse width adjustment value] and the total output delay for the other output is just [the internal propagation delay value] + [the programmed delay]. The following example illustrates this in further detail. Here, the Pulse Width Adjust feature is enabled for each Channel. Channels 0 to 7 are programmed such that each P output fires 1/2/3/4/5/6/7/0 fine delays later than the N output and its pulse width is smaller than the N output by 2/4/6/8/10/12/14/0 fine delays, individually.

Ch.	Register	Data	Programmed Fire Delay	Actual Fire Delay*	P to N Delay & P's Pulse Width
Ch 0	Reg. 00h	10 001 00000000000000 000 b	ND	P: 1FD N: ND	P fires 1FD later than N. P's pulse width is smaller than N by 2FDs.
Ch 1	Reg. 01h	10 011 00000000000010 001 b	2CD + 1FD	P: 2CD + 3FD N: 2CD + 1FD	P fires 2FDs later than N. P's pulse width is smaller than N by 4FDs.
Ch 2	Reg. 02h	10 101 00000000000100 010 b	4CD + 2FD	P: 4CD + 5FD N: 4CD + 2FD	P fires 3FDs later than N. P's pulse width is smaller than N by 6FDs.
Ch 3	Reg. 03h	10 111 00000000000110 011 b	6CD + 3FD	P: 6CD + 7FD N: 6CD + 3FD	P fires 4FDs later than N. P's pulse width is smaller than N by 8FDs.
Ch 4	Reg. 04h	10 001 00000000001000 100 b	8CD + 4FD	P: 9CD + 1FD N: 8CD + 4FD	P fires 5FDs later than N. P's pulse width is smaller than N by 10FDs.
Ch 5	Reg. 05h	10 011 00000000001010 101 b	10CD + 5FD	P: 11CD + 3FD N: 10CD + 5FD	P fires 6FDs later than N. P's pulse width is smaller than N by 12FDs.
Ch 6	Reg. 06h	10 101 00000000001100 110 b	12CD + 6FD	P: 13CD + 5FD N: 12CD + 6FD	P fires 7FDs later than N. P's pulse width is smaller than N by 14FDs.
Ch 7	Reg. 07h	00 111 00000000001110 111 b	14CD + 7FD	N: 14CD + 7FD P: 14CD + 7FD	P fires at the same time as N. P's pulse width is the same as N.

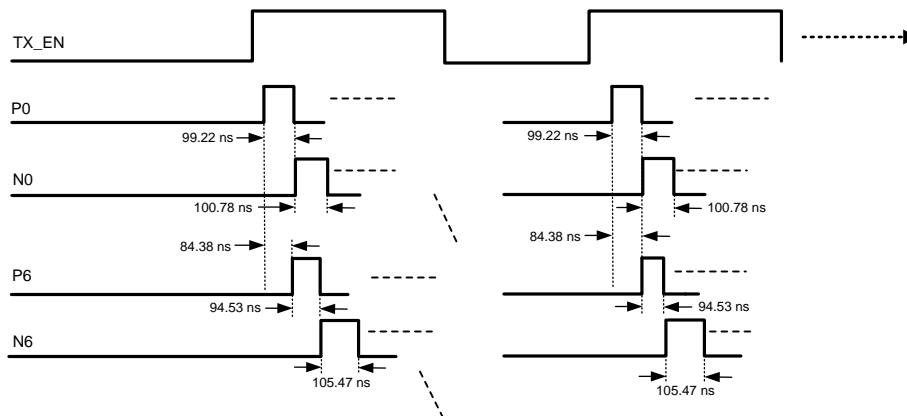


Figure 13. Beamformer Output with Pulse Width Adjustment

Table 4. Register Map

Address	Number of Bits	Default Value (binary / hex)
Individual Channel (0 to 7) Delay and Pulse Width Profile Registers		
00h	22	00 000 0000000000000000 000 b
01h		00 000 0000000000000010 001 b
02h		00 000 000000000000100 010 b
03h		00 000 000000000000110 011 b
04h		00 000 00000000001000 100 b
05h		00 000 00000000001010 101 b
06h		00 000 00000000001100 110 b
07h		00 000 00000000001110 111 b
Individual Channel (0 to 7) "P" Part Pulse Pattern Registers		
08h	4, 8, 16, 24, 32, 40, 48, or 64*	5555 5555 5555 5555 h
09h		
0Ah		
0Bh		
0Ch		
0Dh		
0Eh		
0Fh		
Individual Channel (0 to 7) "N" Part Pulse Pattern Registers		
10h	4, 8, 16, 24, 32, 40, 48, or 64*	AAAA AAAA AAAA AAAA h
11h		
12h		
13h		
14h		
15h		
16h		
17h		
ALL Channels "P" Part Pulse Pattern Register		
18h	4, 8, 16, 24, 32, 40, 48, or 64*	5555 5555 5555 5555 h
ALL Channels "N" Part Pulse Pattern Register		
19h	4, 8, 16, 24, 32, 40, 48, or 64*	AAAA AAAA AAAA AAAA h
Top Control Register		

Bit(s)	Description
2:0	FDA: Fine Delay Adjust. These 3 bits set the clock phase for the 14-bit programmable counter, which in turn control the fractional amount of delay in increments of 1/8 for the P/N outputs relative to the internal Fire signal.
	Again, this is not to be confused with the delays associated with Pulse Width Adjustment, which involves delaying the P outputs relative to the N output. Fine Delay Adjustment involves delaying the firing of both P/N outputs relative to the internal Fire signal.
	In addition to the number of ICLK cycle delays determined by the Coarse Delay Adjust, the P/N outputs can be delayed further by the following number of fractional ICLK cycle delays:
	000 0° or 0 ICLK cycle
	001 45° or 1/8 ICLK cycle
	100 90° or 2/8 ICLK cycle
	011 135° or 3/8 ICLK cycle
	100 180° or 4/8 ICLK cycle
	101 225° or 5/8 ICLK cycle
110 270° or 6/8 ICLK cycle	
111 315° or 7/8 ICLK cycle	

INDIVIDUAL CHANNEL (0 to 7) “P” PART PULSE REGISTERS

Address: 08h to 0Fh

Registers 08h to 0Fh control the individual pulse patterns for channels 0 to 7, respectively.

	b[63:0], b[63:16], b[63:24], b[63:32], b[63:40], b[63:48], b[63:56], or b[63:60]
Description	PPP
08-0Fh Default	5555 5555 5555 5555 h

Bit(s)	Description
63:0, 63:16, 63:24, 63:32, 63:40, 63:48, 63:56, 63:60	PPP: “P” Part Pulse Pattern. These bits in registers 08h to 0Fh determine the “P” part pulse pattern for channels 0 to 7, respectively. Each bit represents one pulse, thus the full bit stream of each register is equivalent to one full length pulse pattern. Upon firing, the LSB is sent out first. The register’s bit depth or pulse pattern length may be 64, 48, 40, 32, 24, 16, 8, or 4, depending on the value of Register 0Ah[2:0]. By default, the pulse pattern length is 64 bits deep, and the bit stream or pulse pattern is 5555 5555 5555 5555 h.

INDIVIDUAL CHANNEL (0 to 7) “N” PART PULSE REGISTERS

Address: 10h to 17h

Registers 10h to 17h control the individual pulse patterns for channels 0 to 7, respectively.

	b[63:0], b[63:16], b[63:24], b[63:32], b[63:40], b[63:48], b[63:56], or b[63:60]
Description	NPP
10-17h Default	AAAA AAAA AAAA AAAA h

Bit(s)	Description
63:0, 63:16, 63:24, 63:32, 63:40, 63:48, 63:56, 63:60	NPP: “N” Part Pulse Pattern. These bits in registers 10h to 17h determine the “N” part pulse pattern for channels 0 to 7, respectively. Each bit represents one pulse, thus the full bit stream of each register is equivalent to one full length pulse pattern. Upon firing, the LSB is sent out first. The register’s bit depth or pulse pattern length may be 64, 48, 40, 32, 24, 16, 8, or 4, depending on the value of Register 0Ah[2:0]. By default, the pulse pattern length is 64 bits deep, and the bit stream or pulse pattern is AAAA AAAA AAAA AAAA h.

ALL CHANNELS (0 TO 7) “P” PART PULSE PATTERN REGISTER

Address: 18h

Register 18h controls the “P” part pulse pattern for all channels, 0 to 7.

	b[63:0], b[63:16], b[63:24], b[63:32], b[63:40], b[63:48], b[63:56], or b[63:60]
Description	PPPA
18h Default	5555 5555 5555 5555 h

Bit(s)	Description
63:0, 63:16, 63:24, 63:32, 63:40, 63:48, 63:56, 63:60	PPPA: “P” Part Pulse Pattern for ALL Channels. These bits determine the “P” part pulse pattern for ALL channels, 0 to 7. By writing a pulse pattern to register 18h, the same pulse pattern will be internally written to Registers 08h to 0Fh simultaneously, and thus the P pulses of all channels will have the same pulse pattern. By default, the pulse pattern length is 64 bits deep, and the bit stream or pulse pattern is 5555 5555 5555 5555 h.

ALL CHANNELS (0 TO 7) “N” PART PULSE PATTERN REGISTER

Address: 19h

Register 19h controls the “N” part pulse pattern for all channels, 0 to 7.

	b[63:0], b[63:16], b[63:24], b[63:32], b[63:40], b[63:48], b[63:56], or b[63:60]
Description	NPPA
19h Default	AAAA AAAA AAAA AAAA h

Bit(s)	Description
63:0, 63:16, 63:24, 63:32, 63:40, 63:48, 63:56, 63:60	NPPA: “N” Part Pulse Pattern for ALL Channels. These bits determine the “N” part pulse pattern for ALL channels, 0 to 7. By writing a pulse pattern to register 19h, the same pulse pattern will be internally written to Registers 10h to 17h simultaneously, and thus the N pulses of all channels will have the same pulse pattern. By default, the pulse pattern length is 64 bits deep, and the bit stream or pulse pattern is AAAA AAAA AAAA AAAA h.

TOP CONTROL REGISTER

Address: 1Ah

Register 1Ah is the basic initialization and global control register for the device.

	b[13]	b[12]	b[11]	b[10]	b[9:3]				b[2]	b[1]	b[0]	
Description	RSV	CW	IFE	PLLE	FD				PL			
1Ah Default	0	0	0	1	0	0	0	1	1	1	1	1

Bit(s)	Description
13	RSV: Reserved. This is a reserved bit. When writing to Register 1Ah, keep this bit at “0.”
12	CW: Continuous Wave. This bit enables the CW Mode.
	0 CW Mode Disabled. The beamformer is in normal firing mode. After the programmed pulse pattern is sent out, each channel will automatically stop and await the next firing signal, i.e., TX_EN rising edge. 1 CW Mode Enabled. A default fixed pulse pattern will be stored in a circular shift register and continuously sent out until the TX_EN signal is pulled low. The pulse pattern cannot be customized in CW Mode; writing to Registers 08h to 19h will have no effect.

Bit(s)	Description	
11	IFE: Invert Fire Enable. This bit enables the Invert Fire Mode, which is used for harmonic imaging.	
	0	Invert Fire Mode Disabled. The programmed pulse pattern will be fired directly.
	1	Invert Fire Mode Enabled. Each TX transmission will consist of two firings. First, the programmed pulse pattern will be fired directly (non-inverted). Second, after RX is completed, the pulse pattern will be inverted and fired again. During “invert firing” mode, there should be no write or read-back activity on the serial interface lines and the user must ensure that the sLE line remains high to prevent the invert-firing from inadvertently resetting.
10	PLLE: PLL Enable. This bit enables the on-chip PLL	
	0	PLL Disabled
	1	PLL Enabled
9:3	FD: Frequency Division. These bits determine the pulse width of each bit in the non-return zero output pulse pattern. The decimal value of these bits correspond to the 2X division factor between the 160 MHz master clock and the output pulse frequency a one-high-one-low pattern. For example, when the desired output frequency is 160 MHz / 2 = 80 MHz, then FD = 2 and Register 1Ah[9:3] = 000 0001. If the desired output frequency is 160 MHz / 32 = 5MHz, then FD = 32 and Register 1Ah[9:3] = 001 0000. If the desired output frequency is 160 MHz / 256 = 0.625 MHz, then FD = 256, which is the Maximum, and Register 1Ah[9:3] = 000 0000.	
2:0	PL: Pattern Length. These bits determine the length of the pulse pattern for all channels. The pulse pattern length set in this register must coincide exactly with the actual pattern programmed to registers 08h through 17h, or registers 18h and 19h. For example, if the pattern length is set in this register to be 24 pulses, then exactly, a 24-bit value must be written into registers 08h through 17h or registers 18h and 19h. If a different number of bits/pulses is programmed into those registers, the outputs will not function correctly.	
	000	4-pulse pattern length. Registers 08h to 19h will have a 4-bit depth.
	001	8-pulse pattern length. Registers 08h to 19h will have an 8-bit depth.
	010	16-pulse pattern length. Registers 08h to 19h will have a 16-bit depth.
	011	24-pulse pattern length. Registers 08h to 19h will have a 24-bit depth.
	100	32-pulse pattern length. Registers 08h to 19h will have a 32-bit depth.
	101	40-pulse pattern length. Registers 08h to 19h will have a 40-bit depth.
	110	48-pulse pattern length. Registers 08h to 19h will have a 48-bit depth.
111	64-pulse pattern length. Registers 08h to 19h will have a 64-bit depth.	

PLL CLOCK INPUT SELECTION REGISTER

Address: 1Bh

Register 1Bh determines whether the PLL input clock is to be a single-ended clock or a differential clock

Description	b[7:1]								b[0]
	RSV								PLLCK
0Bh Default	0	0	0	0	0	0	0	0	0

Bit(s)	Description	
7:1	RSV: Reserved. This is a reserved bit. When writing to Register 1Bh, keep this bit at “0.”	
0	PLLCK: PLL Clock. This bit determines whether the PLL input clock is to be a single-ended LVCMOS input or a differential input.	
	0	Differential PLL Clock Input.
	1	LV CMOS PLL Clock Input.

Application Notes

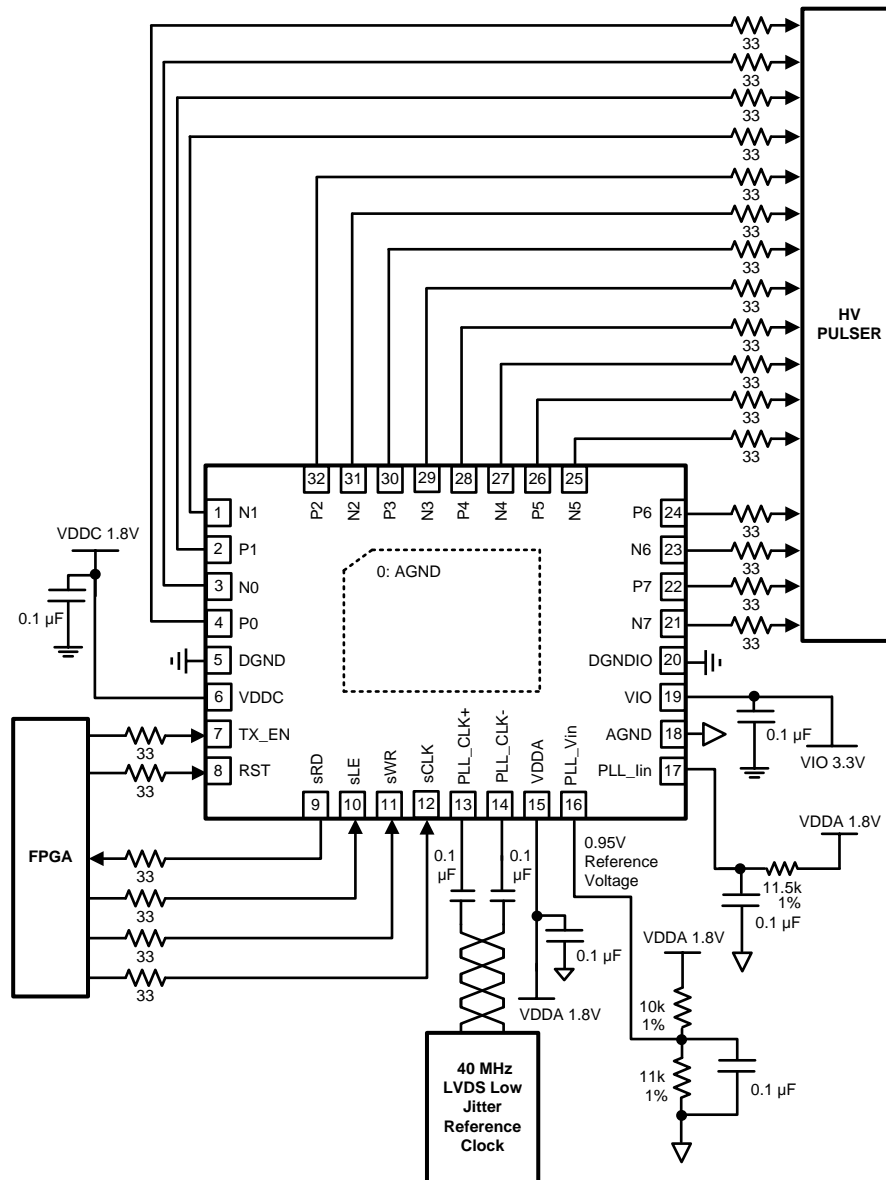


Figure 14. REFERENCE CIRCUIT

POWER-UP AND POWER-DOWN SEQUENCES

Power UP Sequence:

1. Turn ON VIO (pin 19) & Hold RST (pin 8) HIGH
2. Turn ON VDDA (pin 15) and VDDC (pin 6)
3. Release RST (pin 8) back to LOW
4. Set PLLE (bit 10 of register 1Ah) to LOW
5. Set PLLE (bit 10 of register 1Ah) to HIGH

Power DOWN Sequence:

1. Insure VIO (pin 19) always greater than VDDA (pin 15) & VDDC (pin 6)

FIRING SEQUENCE EXAMPLES

Example 1A (Code Excitation)

In Example 1A, a 64-bit pulse pattern is used for code excitation with the following parameters:

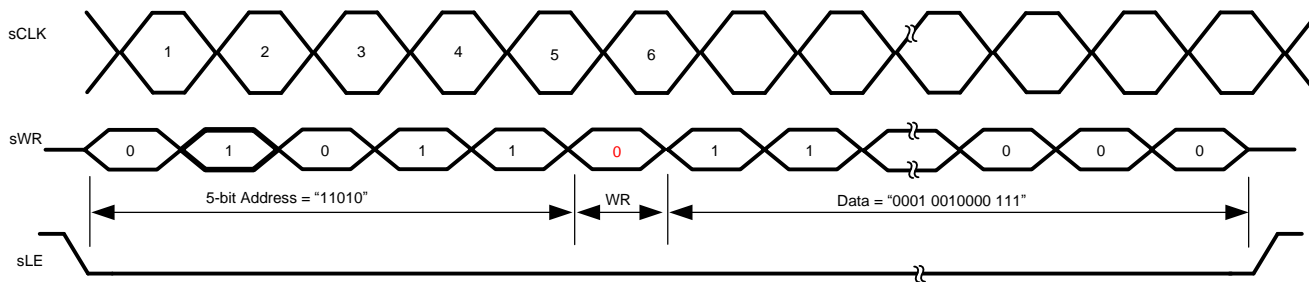
- Each of the eight channels have the same 64-bit pulse pattern with respect to the P part of the pattern (default 64-bit hex value = 5555 5555 5555 5555) and the N part of the pattern (default 64-bit hex value = AAAA AAAA AAAA AAAA).
- The output pulse pulse width is 100ns, 5MHz for one-on-one-off pattern.
- The delay between adjacent Channels is approximately 13.28 ns (i.e, two coarse delays with a delay step of 6.25 ns and one fine delay with a delay step of 0.78 ns). Channel 0 has no delay.
- The Pulse Width Adjust feature for all channels are disabled.

STEP 1

- Write to Register 1Ah to configure the pulse pattern length, pulse output frequency, and enable PLL. Based on the Register Definition in Table 4, here Register 1Ah (14-bit Binary) = 0001 001 0000 111 b

RESERVED	0	reserved bit is kept at "0"
CW	0	beamformer is NOT in the CW firing mode
INV_FIRE_EN	0	beamformer is NOT in the "invert firing" mode
PLL_EN	1	PLL is enabled
FREQ_DIV	001 0000	pulse width is one period of 1/16 of the master clock frequency (160MHz / 16 = 10MHz, i.e. 100ns period)
PAT_LEN	111	pulse pattern length is 64 bits.

- RESERVED (1-bit Binary) = "0" – reserved bit is kept at "0".
- CW (1-bit Binary) = "0" – beamformer is not in the CW firing mode
- INV_FIRE_EN (1-bit Binary) = "0" – beamformer is NOT in the "invert firing" mode
- PLL_EN (1-bit Binary) = "1" – PLL is enabled.
- FREQ_DIV (7-bit Binary) = "001 0000" – 1/16 of the master clock (160MHz) for 100ns pulse width.
- PAT_LEN (3-bit Binary) = "111" – pulse pattern length is 64 bit.



Note: LSB enters first, followed by MSB

Figure 15. Write Register 1Ah with 14 bit = 0001 0010000 111

STEP 2.

- Write the delay profile to each Channel (Registers 00-07h) with the following 22-bit data. The write timing diagram is similar to that shown in Figure 15, except for the register addresses and the 22-bit data depths.

Channel	Register	Data	Fire Delay
Ch 0	Reg. 00h	00 000 0000000000000000 000 b	no delay
Ch 1	Reg. 01h	00 000 0000000000000010 001 b	2 coarse delays + 1 fine delay
Ch 2	Reg. 02h	00 000 000000000000100 010 b	4 coarse delays + 2 fine delay
Ch 3	Reg. 03h	00 000 00000000000110 011 b	6 coarse delays + 3 fine delay
Ch 4	Reg. 04h	00 000 0000000001000 100 b	8 coarse delays + 4 fine delay

Channel	Register	Data	Fire Delay
Ch 5	Reg. 05h	00 000 00000000001010 101 b	10 coarse delays + 5 fine delay
Ch 6	Reg. 06h	00 000 00000000001100 110 b	12 coarse delays + 6 fine delay
Ch 7	Reg. 07h	00 000 00000000001110 111 b	14 coarse delays + 7 fine delay

STEP 3A.

- Write the pulse pattern to each Channel (Registers 08h to 0Fh for P and 10h to 17h for N) with the following 64 bits of data (shown in hexadecimal format). The write timing diagram is similar to Figure 15 except for the register addresses and the 64-bit data depths.

Channel	Register	Data
P part Ch 0 - 7	Reg. 08h - 0Fh	5555 5555 5555 5555 h
N part Ch 0 - 7	Reg. 10 - 17h	AAAA AAAA AAAA AAAA h

STEP 3B (OPTIONAL instead of STEP 3A).

- Since these 8 channels have the same pulse pattern, we can also directly write to Register 18h (P part of pulse pattern) and Register 19h (N part of pulse pattern) instead of writing the same pulse pattern to each individual channel 8 times. Therefore step 3a can be replaced by step 3b.
- Write the pulse pattern to Register 18h and Registers 19h. The write timing diagram is similar to Figure 6, except for the register addresses and the 64-bit data depths.

Channel	Register	Data
P part Ch 0 - 7	Reg. 18h	5555 5555 5555 5555 h
N part Ch 0 - 7	Reg. 19h	AAAA AAAA AAAA AAAA h

STEP 4.

- When the write operations are complete and the TX path is ready, pull “TX_EN “ high.
- After 6 ICLK (160MHz) cycles (37.5ns) have passed, each Channel will start to count its programmed delay profile. When it reaches the preset value, it will trigger the firing sequence. Channel 0 with no delay fires first and is followed by Channel 1 after 2 coarse delays plus one fine delay (13.28ns). Each bit of the 64-bit pulse pattern is continuously fire from LSB to MSB until all 64 bits are output. “TX_EN” should always remain high during a firing operation.
- After firing is complete for all channels, “TX_EN” is pulled low, as the beamformer waits for the next firing signal, i.e., when “TX_EN” is pulled high. See Figure 16 for firing diagram.

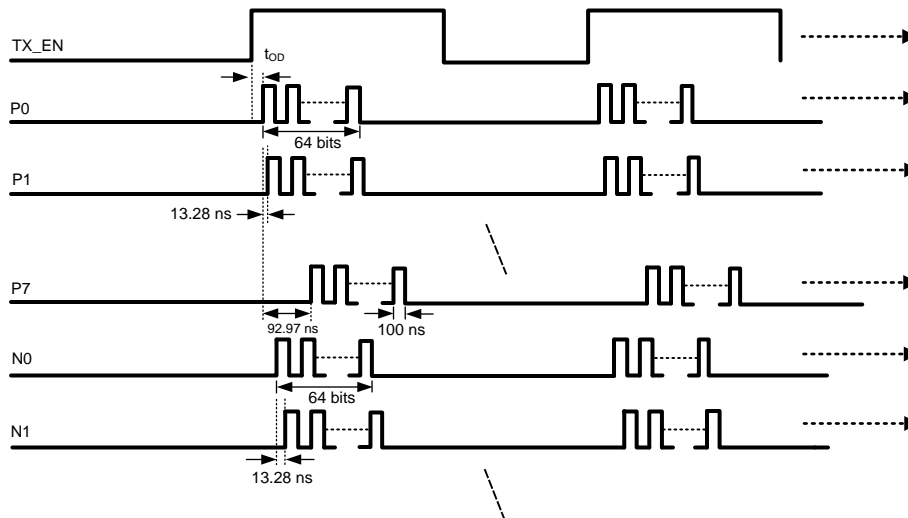


Figure 16. Beamformer Output with Example 1A Parameters

Example 1B (Code Excitation with Pulse Width Adjust)

Example 1B is similar to example 1A, except that the Pulse Width Adjust feature is enabled for each Channel. Channels 0 to 7 of the beamformer is programmed such that each P output fires 1/2/3/4/5/6/7/0 fine phase(s) later than the N output and its pulse width is smaller than the N output by 2/4/6/8/10/12/14/0 fine delays, individually. All of the control steps are similar to example 1A except for Step 2.

STEP 2.

Write the delay profile as well as Pulse Width Adjust information to each Channel. Here the Channel to Channel delay is the same as in example 1A; however, the Pulse Width Adjust feature for all of the channels are enabled. The P outputs and N outputs are never overlapped. See Figure 17.

Table 5. CD = Coarse Delay, FD = Fine Delay, ND = No Delay.

Channel	Register	Data	Programmed Fire Delay	Actual Fire Delay*	P to N Delay & P's Pulse Width
Ch 0	Reg. 00h	10 001 00000000000000 000 b	ND	P: 1FD N: ND	P fires 1FD later than N. P's pulse width is smaller than N by 2FDs.
Ch 1	Reg. 01h	10 011 00000000000010 001 b	2CD + 1FD	P: 2CD + 3FD N: 2CD + 1FD	P fires 2FDs later than N. P's pulse width is smaller than N by 4FDs.
Ch 2	Reg. 02h	10 101 00000000000100 010 b	4CD + 2FD	P: 4CD + 5FD N: 4CD + 2FD	P fires 3FDs later than N. P's pulse width is smaller than N by 6FDs.
Ch 3	Reg. 03h	10 111 00000000000110 011 b	6CD + 3FD	P: 6CD + 7FD N: 6CD + 3FD	P fires 4FDs later than N. P's pulse width is smaller than N by 8FDs.
Ch 4	Reg. 04h	10 001 00000000001000 100 b	8CD + 4FD	P: 9CD + 1FD N: 8CD + 4FD	P fires 5FDs later than N. P's pulse width is smaller than N by 10FDs.
Ch 5	Reg. 05h	10 011 00000000001010 101 b	10CD + 5FD	P: 11CD + 3FD N: 10CD + 3FD	P fires 6FDs later than N. P's pulse width is smaller than N by 12FDs.
Ch 6	Reg. 06h	10 101 00000000001100 110 b	12CD + 6FD	P: 13CD + 5FD N: 12CD + 6FD	P fires 7FDs later than N. P's pulse width is smaller than N by 14FDs.
Ch 7	Reg. 07h	00 111 00000000001110 111 b	14CD + 7FD	N: 14CD + 7FD P: 14CD + 7FD	P fires at the same time as N. P's pulse width is the same as N.

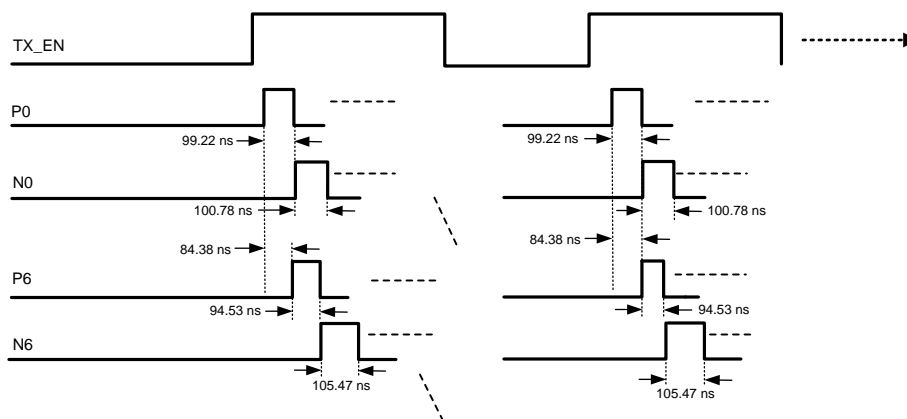


Figure 17. Beamformer Output with Pulse Width Adjustment

Example 2 (CW Mode)

In Example 2, the ultrasound system is in CW mode, in which a [1 0] pulse sequence for the P part and a [0 1] pulse sequence for the N part are continuously fired at a frequency of 10 MHz. **In CW mode, these P part and N part pulse sequences are fixed at pre-set default patterns, and their registers Reg. 18h and Reg. 19h CANNOT be written to.** The delay profile of each Channel is the same as in example 1. In CW mode, the pulse pattern will be fired in a circular fashion. After the last bit of the pulse pattern, the 1st bit will follow it immediately, thus configuring the pulse pattern with infinite or continuous pulse length.

STEP 1.

- Write to Register 1Ah to configure the pulse pattern length, pulse output frequency, and enable PLL. Based on the Register Definition in [TOP CONTROL REGISTER](#), here Register 1Ah (14-bit) = 0101 000 1000 000 b.

RESERVED	0	reserved bit is kept at "0"
CW	1	beamformer is in the CW firing mode
INV_FIRE_EN	0	beamformer is NOT in the "invert firing" mode
PLL_EN	1	PLL is enabled
FREQ_DIV	000 1000	pulse width is one period of 1/8 of the master clock frequency (160MHz / 8 = 20MHz, i.e. 50ns period)
PAT_LEN	0	pulse pattern length is 4 bits, as 4 bits fired circularly is sufficient to generate a CW waveform.

STEP 2.

- The delay profile in example 2 is the same as in example 1A. If the beamformer is not powered down, the delay profile will be retained in the on-chip registers. Here, if the firing of example 2 immediately follows example 1A, the delay profile does not need to be written again.

STEP 3.

- When the write operations are complete and the TX path is ready, pull "TX_EN" high. After 6 ICLK (160MHz) cycles (37.5 ns) have passed, each channel will start to count its programmed delay profile. When it reaches the preset value, it will trigger the firing sequence. TX_EN should always remain high during the firing operation. See [Figure 13](#) for the firing diagram.

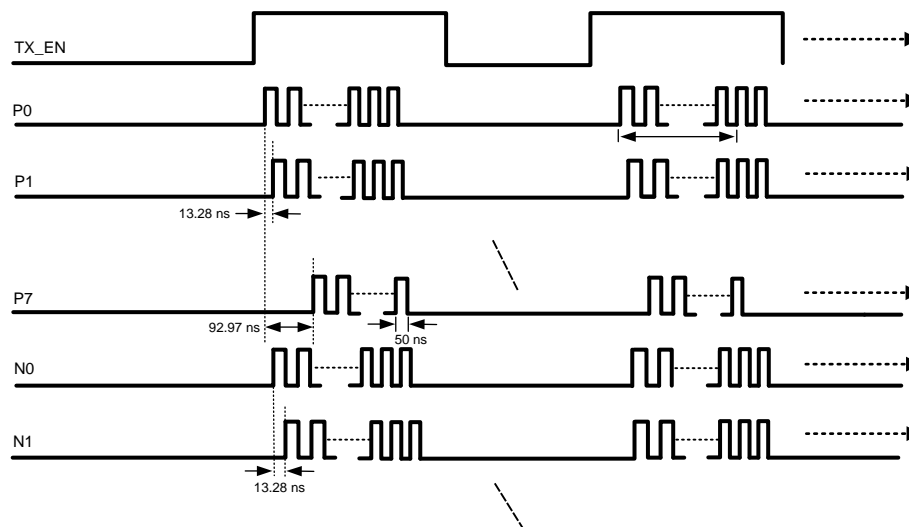


Figure 18. Beamformer Output in CW Mode

Example 3 (Invert Firing Mode)

Example 3 demonstrates the invert firing mode, which is used for harmonic imaging. In invert firing mode, each TX transmission consists of two firings. First, the preloaded pulse pattern will be fired directly (non-inverted). After RX is completed, in the subsequent firing, the same pulse pattern will be inverted and fired again. In this example, all Channels have zero delay, and have the same have the same unit pulse width of 50ns. The 1st firing is a non-inverted firing, in which the P pattern is “01101001” and the N pattern is “10010110”. See Figure 19 for the firing diagram.

STEP 1.

- Write to Register 1Ah to configure the pulse pattern length, pulse output frequency, and enable PLL. Based on the Register Definition in Table 4, here Register 1Ah (14-bit) = 0011 000 1000 001 b

RESERVED	0	reserved bit is kept at “0”
CW	0	beamformer is NOT in the CW firing mode
INV_FIRE_EN	1	beamformer is in the “invert firing” mode
PLL_EN	1	PLL is enabled
FREQ_DIV	000 1000	pulse width is one period of 1/8 of the master clock frequency (160MHz / 8 = 20MHz, i.e. 50ns period)
PAT_LEN	001	pulse pattern length is 8 bits

STEP 2.

Write the delay profile to each Channel. The duty-cycle control feature is disabled.

Channel	Register	Data	Fire Delay
Ch 0 - 7	Reg. 00h - 07h	00 000 00000000000000 000 b	no delay

STEP 3.

All channels have the same pulse pattern. Write the following 8-bit pulse pattern to Register 18 and Register 19h.

Channel	Register	Data
P part Ch 0 - 7	Reg. 18h	1001 0110 b
N part Ch 0 - 7	Reg. 19h	0110 1001 b

STEP 4.

When the writing operation is complete and the TX path is ready, pull “TX_EN” high. After 6 ICLK (160MHz) clock cycles (37.5ns) have passed, each channel will start to count its programmed delay profile. When it reaches the preset value, it will trigger the firing sequence.

As illustrated in the firing diagram in Figure 19, the firing begins with a non-inverted preloaded pulse pattern. After “TX_EN” is pulled low, the receiver will perform its operation. When “TX_EN” is pulled high again for the next firing, the inverted preloaded pulse pattern will be transmitted. This process will be iterated only if the beamformer is in invert firing mode.

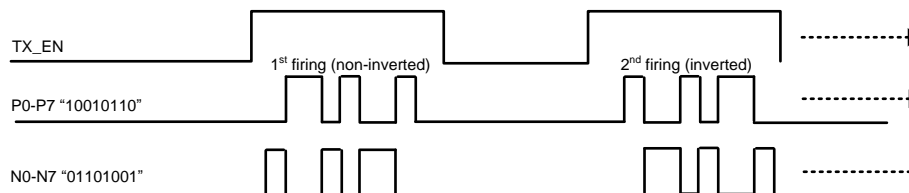


Figure 19. Beamformer Output in Inverting Mode

PACKAGING INFORMATION

Orderable Device	Status (1)	Package Type	Package Drawing	Pins	Package Qty	Eco Plan (2)	Lead/Ball Finish	MSL Peak Temp (3)	Samples (Requires Login)
LM96570SQX/NOPB	ACTIVE	WQFN	RTV	32	4500	Green (RoHS & no Sb/Br)	CU SN	Level-2-260C-1 YEAR	

(1) The marketing status values are defined as follows:

ACTIVE: Product device recommended for new designs.

LIFEBUY: TI has announced that the device will be discontinued, and a lifetime-buy period is in effect.

NRND: Not recommended for new designs. Device is in production to support existing customers, but TI does not recommend using this part in a new design.

PREVIEW: Device has been announced but is not in production. Samples may or may not be available.

OBSELETE: TI has discontinued the production of the device.

(2) Eco Plan - The planned eco-friendly classification: Pb-Free (RoHS), Pb-Free (RoHS Exempt), or Green (RoHS & no Sb/Br) - please check <http://www.ti.com/productcontent> for the latest availability information and additional product content details.

TBD: The Pb-Free/Green conversion plan has not been defined.

Pb-Free (RoHS): TI's terms "Lead-Free" or "Pb-Free" mean semiconductor products that are compatible with the current RoHS requirements for all 6 substances, including the requirement that lead not exceed 0.1% by weight in homogeneous materials. Where designed to be soldered at high temperatures, TI Pb-Free products are suitable for use in specified lead-free processes.

Pb-Free (RoHS Exempt): This component has a RoHS exemption for either 1) lead-based flip-chip solder bumps used between the die and package, or 2) lead-based die adhesive used between the die and leadframe. The component is otherwise considered Pb-Free (RoHS compatible) as defined above.

Green (RoHS & no Sb/Br): TI defines "Green" to mean Pb-Free (RoHS compatible), and free of Bromine (Br) and Antimony (Sb) based flame retardants (Br or Sb do not exceed 0.1% by weight in homogeneous material)

(3) MSL, Peak Temp. -- The Moisture Sensitivity Level rating according to the JEDEC industry standard classifications, and peak solder temperature.

Important Information and Disclaimer: The information provided on this page represents TI's knowledge and belief as of the date that it is provided. TI bases its knowledge and belief on information provided by third parties, and makes no representation or warranty as to the accuracy of such information. Efforts are underway to better integrate information from third parties. TI has taken and continues to take reasonable steps to provide representative and accurate information but may not have conducted destructive testing or chemical analysis on incoming materials and chemicals. TI and TI suppliers consider certain information to be proprietary, and thus CAS numbers and other limited information may not be available for release.

In no event shall TI's liability arising out of such information exceed the total purchase price of the TI part(s) at issue in this document sold by TI to Customer on an annual basis.

TAPE AND REEL INFORMATION

QUADRANT ASSIGNMENTS FOR PIN 1 ORIENTATION IN TAPE


*All dimensions are nominal

Device	Package Type	Package Drawing	Pins	SPQ	Reel Diameter (mm)	Reel Width W1 (mm)	A0 (mm)	B0 (mm)	K0 (mm)	P1 (mm)	W (mm)	Pin1 Quadrant
LM96570SQX/NOPB	WQFN	RTV	32	4500	330.0	12.4	5.3	5.3	1.3	8.0	12.0	Q1

TAPE AND REEL BOX DIMENSIONS

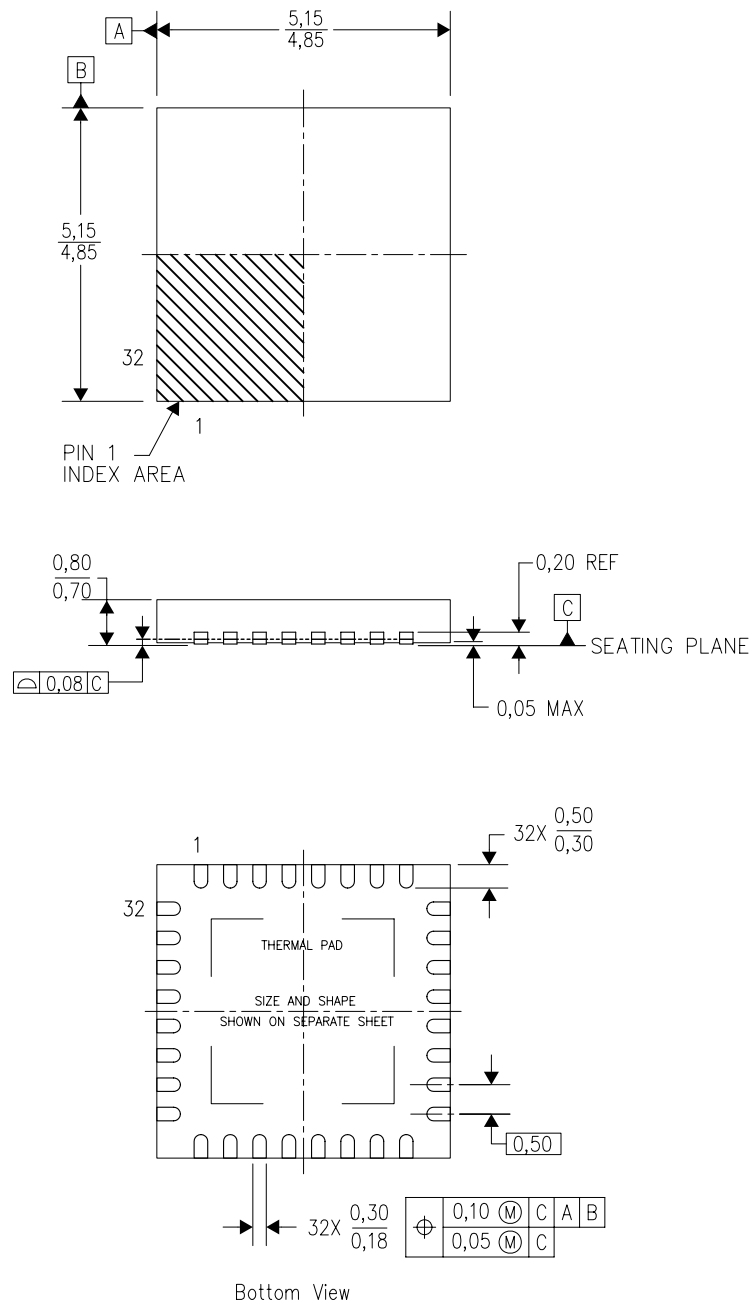


*All dimensions are nominal

Device	Package Type	Package Drawing	Pins	SPQ	Length (mm)	Width (mm)	Height (mm)
LM96570SQX/NOPB	WQFN	RTV	32	4500	358.0	343.0	63.0

RTV (S-PWQFN-N32)

PLASTIC QUAD FLATPACK NO-LEAD



4206245/C 10/11

- NOTES:
- All linear dimensions are in millimeters. Dimensioning and tolerancing per ASME Y14.5-1994.
 - This drawing is subject to change without notice.
 - Quad Flatpack, No-Leads (QFN) package configuration.
 - The package thermal pad must be soldered to the board for thermal and mechanical performance.
 - See the additional figure in the Product Data Sheet for details regarding the exposed thermal pad features and dimensions.
 - Falls within JEDEC MO-220.

IMPORTANT NOTICE

Texas Instruments Incorporated and its subsidiaries (TI) reserve the right to make corrections, enhancements, improvements and other changes to its semiconductor products and services per JESD46, latest issue, and to discontinue any product or service per JESD48, latest issue. Buyers should obtain the latest relevant information before placing orders and should verify that such information is current and complete. All semiconductor products (also referred to herein as "components") are sold subject to TI's terms and conditions of sale supplied at the time of order acknowledgment.

TI warrants performance of its components to the specifications applicable at the time of sale, in accordance with the warranty in TI's terms and conditions of sale of semiconductor products. Testing and other quality control techniques are used to the extent TI deems necessary to support this warranty. Except where mandated by applicable law, testing of all parameters of each component is not necessarily performed.

TI assumes no liability for applications assistance or the design of Buyers' products. Buyers are responsible for their products and applications using TI components. To minimize the risks associated with Buyers' products and applications, Buyers should provide adequate design and operating safeguards.

TI does not warrant or represent that any license, either express or implied, is granted under any patent right, copyright, mask work right, or other intellectual property right relating to any combination, machine, or process in which TI components or services are used. Information published by TI regarding third-party products or services does not constitute a license to use such products or services or a warranty or endorsement thereof. Use of such information may require a license from a third party under the patents or other intellectual property of the third party, or a license from TI under the patents or other intellectual property of TI.

Reproduction of significant portions of TI information in TI data books or data sheets is permissible only if reproduction is without alteration and is accompanied by all associated warranties, conditions, limitations, and notices. TI is not responsible or liable for such altered documentation. Information of third parties may be subject to additional restrictions.

Resale of TI components or services with statements different from or beyond the parameters stated by TI for that component or service voids all express and any implied warranties for the associated TI component or service and is an unfair and deceptive business practice. TI is not responsible or liable for any such statements.

Buyer acknowledges and agrees that it is solely responsible for compliance with all legal, regulatory and safety-related requirements concerning its products, and any use of TI components in its applications, notwithstanding any applications-related information or support that may be provided by TI. Buyer represents and agrees that it has all the necessary expertise to create and implement safeguards which anticipate dangerous consequences of failures, monitor failures and their consequences, lessen the likelihood of failures that might cause harm and take appropriate remedial actions. Buyer will fully indemnify TI and its representatives against any damages arising out of the use of any TI components in safety-critical applications.

In some cases, TI components may be promoted specifically to facilitate safety-related applications. With such components, TI's goal is to help enable customers to design and create their own end-product solutions that meet applicable functional safety standards and requirements. Nonetheless, such components are subject to these terms.

No TI components are authorized for use in FDA Class III (or similar life-critical medical equipment) unless authorized officers of the parties have executed a special agreement specifically governing such use.

Only those TI components which TI has specifically designated as military grade or "enhanced plastic" are designed and intended for use in military/aerospace applications or environments. Buyer acknowledges and agrees that any military or aerospace use of TI components which have **not** been so designated is solely at the Buyer's risk, and that Buyer is solely responsible for compliance with all legal and regulatory requirements in connection with such use.

TI has specifically designated certain components as meeting ISO/TS16949 requirements, mainly for automotive use. In any case of use of non-designated products, TI will not be responsible for any failure to meet ISO/TS16949.

Products

Audio	www.ti.com/audio
Amplifiers	amplifier.ti.com
Data Converters	dataconverter.ti.com
DLP® Products	www.dlp.com
DSP	dsp.ti.com
Clocks and Timers	www.ti.com/clocks
Interface	interface.ti.com
Logic	logic.ti.com
Power Mgmt	power.ti.com
Microcontrollers	microcontroller.ti.com
RFID	www.ti-rfid.com
OMAP Applications Processors	www.ti.com/omap
Wireless Connectivity	www.ti.com/wirelessconnectivity

Applications

Automotive and Transportation	www.ti.com/automotive
Communications and Telecom	www.ti.com/communications
Computers and Peripherals	www.ti.com/computers
Consumer Electronics	www.ti.com/consumer-apps
Energy and Lighting	www.ti.com/energy
Industrial	www.ti.com/industrial
Medical	www.ti.com/medical
Security	www.ti.com/security
Space, Avionics and Defense	www.ti.com/space-avionics-defense
Video and Imaging	www.ti.com/video

TI E2E Community

e2e.ti.com