

# NFG0QHB542HS2#

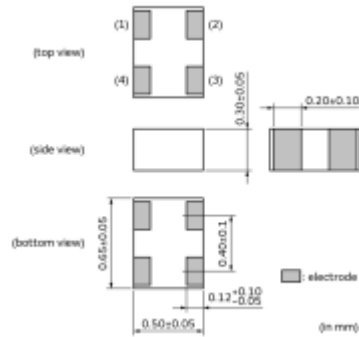
“#” indicates a package specification code.

In Production **RoHS** **REACH**

< List of part numbers with package codes >

NFG0QHB542HS2D NFG0QHB542HS2B

## Appearance & Shape



## Packaging Information

| Packaging | Specifications   | Minimum Order Quantity |
|-----------|------------------|------------------------|
| D         | 180mm Paper Tape | 15000                  |
| B         | Bulk(Bag)        | 500                    |

## Applications

|               |                                        |
|---------------|----------------------------------------|
| Limited Usage | For differential signal interface line |
| Other Usage   | For general                            |

### Attention

1.This datasheet is downloaded from the website of Murata Manufacturing Co., Ltd. Therefore, it's specifications are subject to change or our products in it may be discontinued without advance notice. Please check with our sales representatives or product engineers before ordering.

2.This datasheet has only typical specifications because there is no space for detailed specifications.

Therefore, please review our product specifications or consult the approval sheet for product specifications before ordering.

# NFG0QHB542HS2#

“#” indicates a package specification code.

## Features

1. Small size and tight dimensional tolerance  
Size: 0.65x0.50x0.30mm  
Tolerance: +-0.05mm
2. Common mode noise suppression effect  
(The effect become maximum at 2.4GHz, 3.7GHz and 5.4GHz)
3. Prevents signal damaging in high speed differential lines.
4. Designed to match line impedance.

### ■Application

High speed differential signal lines.  
HDMI,DVI,DisplayPort,USB3.0 etc.

1. Note PCs
2. Cellular phones
3. Digital Still Cameras, Digital Video Cameras

### Attention

- 1.This datasheet is downloaded from the website of Murata Manufacturing Co., Ltd. Therefore, it's specifications are subject to change or our products in it may be discontinued without advance notice. Please check with our sales representatives or product engineers before ordering.
- 2.This datasheet has only typical specifications because there is no space for detailed specifications.  
Therefore, please review our product specifications or consult the approval sheet for product specifications before ordering.

# NFG0QHB542HS2#

“#” indicates a package specification code.



## Specifications

|                                             |                   |
|---------------------------------------------|-------------------|
| Shape                                       | SMD               |
| Size Code (in mm)                           | 0605              |
| Size Code (in inch)                         | 025020            |
| Length                                      | 0.65mm            |
| Length Tolerance                            | ±0.05mm           |
| Width                                       | 0.5mm             |
| Width Tolerance                             | ±0.05mm           |
| Thickness                                   | 0.3mm             |
| Thickness Tolerance                         | ±0.05mm           |
| Common Mode Impedance (at 100MHz)           | 5Ω                |
| Common Mode Impedance (at 100MHz) Tolerance | (Typ.)            |
| Common Mode Insertion Loss Characteristic   | 27dB Typ.(5.4GHz) |
| Rated Current                               | 100mA             |
| Derating of Rated Current                   | No                |
| Rated Voltage                               | 5Vdc              |
| Withstanding Voltage                        | 12.5Vdc           |
| DC Resistance(max.)                         | 1.625Ω            |
| DC Resistance                               | 1.3Ω±25%          |
| Insulation Resistance(min.)                 | 100MΩ             |
| Cut-off Frequency                           | 18GHz (Typ.)      |
| Operating Temperature Range                 | -40°C to 85°C     |
| Mass(typ.)                                  | 0.0003g           |

|                                                                |    |
|----------------------------------------------------------------|----|
| Number of Circuit                                              | 1  |
| Operating Temperature Range(Self-temperature rise is included) | No |

### Attention

1.This datasheet is downloaded from the website of Murata Manufacturing Co., Ltd. Therefore, it's specifications are subject to change or our products in it may be discontinued without advance notice. Please check with our sales representatives or product engineers before ordering.

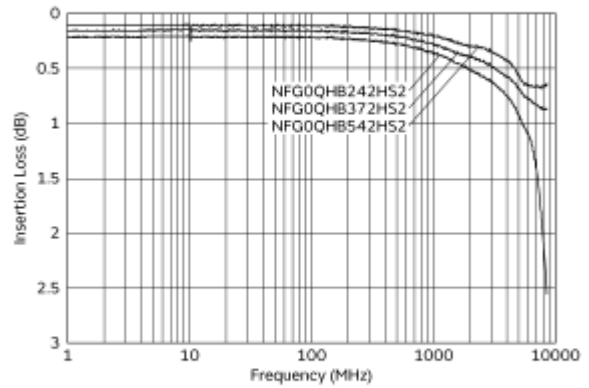
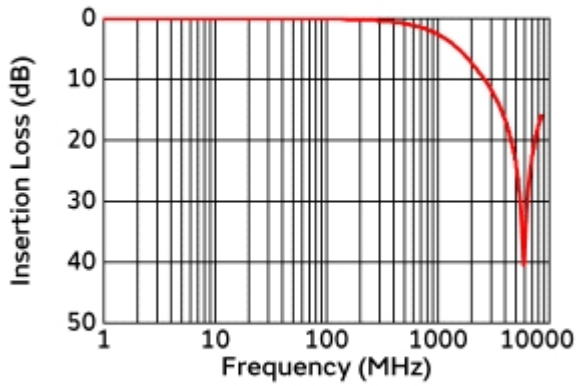
2.This datasheet has only typical specifications because there is no space for detailed specifications.

Therefore, please review our product specifications or consult the approval sheet for product specifications before ordering.

# NFG0QHB542HS2#

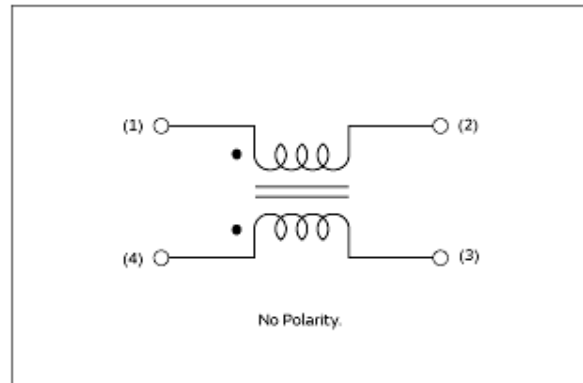
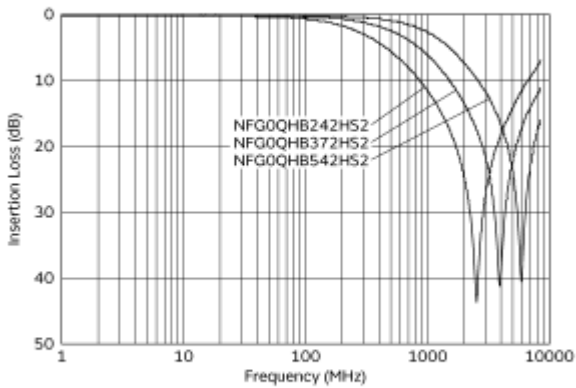
“#” indicates a package specification code.

## Product Data



Common Mode Insertion Loss Characteristic (Typical Value)

Differential Mode Transmission Characteristics (Typical Value)



Common Mode Insertion Loss Characteristic (Main Items)(Typical Value)

Equivalent Circuit

**Attention**

1.This datasheet is downloaded from the website of Murata Manufacturing Co., Ltd. Therefore, it's specifications are subject to change or our products in it may be discontinued without advance notice. Please check with our sales representatives or product engineers before ordering.

2.This datasheet has only typical specifications because there is no space for detailed specifications.

Therefore, please review our product specifications or consult the approval sheet for product specifications before ordering.