



RAYCHEM | RAYCHEM NETM2000

TE Internal #: 6761654002

Black, Single Wall Tubing, Crosslinked Polyolefin, .236 in [6 mm] Inner Diameter, Flame-Retardant, Spool, -40 – 150 °C, RAYCHEM NETM2000

[View on TE.com >](#)

Heat Shrink Tubing > NETM2000 Heat Shrink Tubing



Primary Product Color: **Black**

Wall Type: **Single Wall**

Expanded Inside Diameter (Min): **6 mm [ .236 in ]**

Primary Product Material: **Crosslinked Polyolefin**

Tubing Flammability Type: **Flame-Retardant**

[All NETM2000 Heat Shrink Tubing \(4\)](#)

## Features

### Product Type Features

Wall Type	Single Wall
-----------	-------------

### Body Features

Fluid Type	(ATF) Automatic Transmission Fluid, Antifreeze, Brake Fluid, Diesel Fuel, Motor Oil, Power Steering Fluid, Unleaded Gasoline
Primary Product Color	Black
Primary Product Material	Crosslinked Polyolefin
Flexibility	Flexible

### Dimensions

Expanded Inside Diameter (Min)	6 mm [.236 in]
--------------------------------	----------------

### Usage Conditions

Resistance Properties	Splash Protection
Tubing Flammability Type	Flame-Retardant
Operating Temperature Range	-40 – 150 °C

### Operation/Application

Mechanical Resistance	Fluids, Strain Relief, Wrinkling
-----------------------	----------------------------------



### Packaging Features

Packaging Method	Spool
------------------	-------

### Other

Meets Low Outgassing Requirements	No
Product Source	US

### Product Compliance

[For compliance documentation, visit the product page on TE.com>](#)

EU RoHS Directive 2011/65/EU	Compliant
EU ELV Directive 2000/53/EC	Compliant
China RoHS 2 Directive MIIT Order No 32, 2016	No Restricted Materials Above Threshold
EU REACH Regulation (EC) No. 1907/2006	Current ECHA Candidate List: JUNE 2024 (241) Candidate List Declared Against: JUNE 2024 (241) Does not contain REACH SVHC
Halogen Content	Not Low Halogen - contains Br or Cl > 900 ppm.
Solder Process Capability	Not applicable for solder process capability

#### Product Compliance Disclaimer

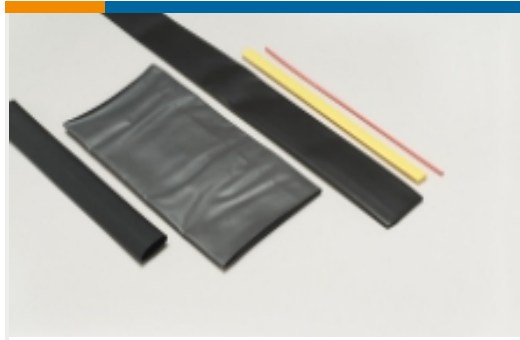
This information is provided based on reasonable inquiry of our suppliers and represents our current actual knowledge based on the information they provided. This information is subject to change. The part numbers that TE has identified as EU RoHS compliant have a maximum concentration of 0.1% by weight in homogenous materials for lead, hexavalent chromium, mercury, PBB, PBDE, DBP, BBP, DEHP, DIBP, and 0.01% for cadmium, or qualify for an exemption to these limits as defined in the Annexes of Directive 2011/65/EU (RoHS2). Finished electrical and electronic equipment products will be CE marked as required by Directive 2011/65/EU. Components may not be CE marked. Additionally, the part numbers that TE has identified as EU ELV compliant have a maximum concentration of 0.1% by weight in homogenous materials for lead, hexavalent chromium, and mercury, and 0.01% for cadmium, or qualify for an exemption to these limits as defined in the Annexes of Directive 2000/53/EC (ELV). Regarding the REACH Regulation, the information TE provides on SVHC in articles for this part number is based on the latest European Chemicals Agency (ECHA) 'Guidance on requirements for substances in articles' posted at this URL: <https://echa.europa.eu/guidance-documents/guidance-on-reach>

### Compatible Parts



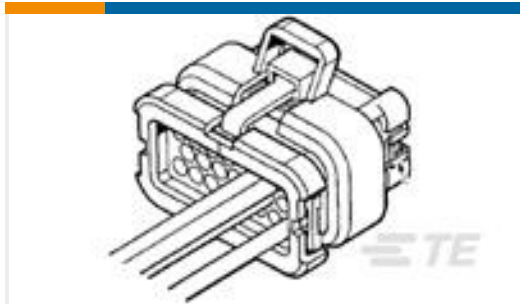
TE Part # EG1114-000  
CV1981-ST-230V1600W-EU

## Also in the Series | RAYCHEM NETM2000



Heat Shrink Tubing(4)

## Customers Also Bought



TE Part #776273-5  
14POS,AMPSEAL,SOC HSG ASSY,SLD,  
COD 5



TE Part #8862474002  
NETM1000-6-0-SP



TE Part #1-1879071-5  
THS50 2R0 5%



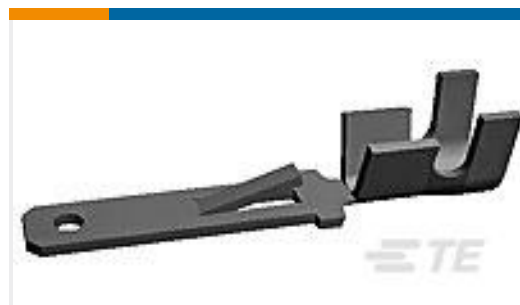
TE Part #T4112012041-000  
M12 F, 4P GOLD A\_CODE RA  
SHIELDED PG9



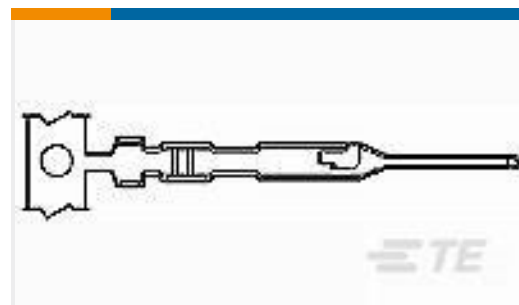
TE Part #2-746610-1  
010 DIP PLUG 100CL TIN



TE Part #1658527-4  
622-1041LF FEM SOCKET,LEAD FREE



TE Part #42565-2  
FF 250 TAB 18-14AWG TPBR PRE  
CRIMPED



TE Part #5-104505-2  
MTE PIN 22-26 AWG PLTD



TE Part #1-962581-2  
FLACHST-GH2,8 EDS3P



TE Part #T4110012041-000  
M12 F, 4P GOLD A\_CODE S  
SHIELDED PG9



## Documents

### Product Drawings

[NETM2000-6-0-SP](#)

English

---

### Datasheets & Catalog Pages

[NETM Pages from 1654296-3](#)

English

---

### Product Specifications

[Application Specification](#)

English