



Heat Shrink Tubing > SCL Heat Shrink Tubing



Primary Product Color: **Black**

Wall Type: **Dual Wall**

Expanded Inside Diameter (Min): **9.93 mm [ .391 in ]**

Recovered Inside Diameter (Max): **3.42 mm [ .135 in ]**

Shrink Ratio: **3:1**

[All SCL Heat Shrink Tubing \(62\)](#)

## Features

### Product Type Features

Wall Type	Dual Wall
-----------	-----------

### Electrical Characteristics

Operating Voltage (Max)	.6 kV
-------------------------	-------

### Body Features

Fluid Type	Aviation Fuel, Brake Fluid, Hydraulic Fluid, Lubricating Oil, Water
Primary Product Color	Black
Shrink Ratio	3:1
Primary Product Material	Irradiated Modified Polyolefin
Flexibility	Semi-Rigid

### Dimensions

Recovered Wall Thickness (Tolerance)	.35 mm[.014 in]
Recovered Wall Thickness (Nominal)	1.27 mm[.05 in]
Product Length	1220 mm[48.03 in]
Expanded Inside Diameter (Min)	9.93 mm[.391 in]
Recovered Inside Diameter (Max)	3.42 mm[.135 in]



Tubing Size Range	3.42 – 9.93 mm [.135 – .391 in]
-------------------	---------------------------------

### Usage Conditions

Shrink Temperature (Min)	125 °C
Resistance Properties	Immersion Protection, Moisture, Splash Protection
Tubing Flammability Type	Non-Flame-Retardant
Operating Temperature Range	-55 – 110 °C
Recovery Temperature	135 °C

### Operation/Application

Mechanical Resistance	Abrasion, Fluids, Mechanical Damage, Strain Relief, Vibration
-----------------------	---

### Product Availability

Applicable Region	Global
-------------------	--------

### Packaging Features

Packaging Method	Bag & Box
------------------	-----------

### Other

Meets Low Outgassing Requirements	No
Product Source	Czech Republic

### Product Compliance

For compliance documentation, visit the product page on [TE.com](https://www.te.com)>

EU RoHS Directive 2011/65/EU	Compliant
EU ELV Directive 2000/53/EC	Compliant
China RoHS 2 Directive MIIT Order No 32, 2016	No Restricted Materials Above Threshold
EU REACH Regulation (EC) No. 1907/2006	Current ECHA Candidate List: JUNE 2023 (235) Candidate List Declared Against: JUNE 2023 (235) Does not contain REACH SVHC
Halogen Content	Low Halogen - Br, Cl, F, I < 900 ppm per homogenous material. Also BFR/CFR/PVC Free
Solder Process Capability	Not applicable for solder process capability

Product Compliance Disclaimer



This information is provided based on reasonable inquiry of our suppliers and represents our current actual knowledge based on the information they provided. This information is subject to change. The part numbers that TE has identified as EU RoHS compliant have a maximum concentration of 0.1% by weight in homogenous materials for lead, hexavalent chromium, mercury, PBB, PBDE, DBP, BBP, DEHP, DIBP, and 0.01% for cadmium, or qualify for an exemption to these limits as defined in the Annexes of Directive 2011/65/EU (RoHS2). Finished electrical and electronic equipment products will be CE marked as required by Directive 2011/65/EU. Components may not be CE marked. Additionally, the part numbers that TE has identified as EU ELV compliant have a maximum concentration of 0.1% by weight in homogenous materials for lead, hexavalent chromium, and mercury, and 0.01% for cadmium, or qualify for an exemption to these limits as defined in the Annexes of Directive 2000/53/EC (ELV). Regarding the REACH Regulation, the information TE provides on SVHC in articles for this part number is based on the latest European Chemicals Agency (ECHA) 'Guidance on requirements for substances in articles' posted at this URL: <https://echa.europa.eu/guidance-documents/guidance-on-reach>

### Compatible Parts



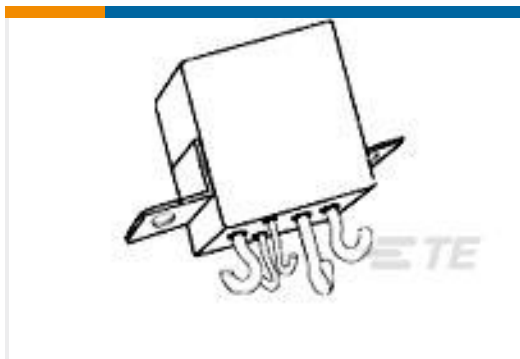
TE Part # EG1114-000  
CV1981-ST-230V1600W-EU

### Also in the Series | RAYCHEM SCL



Heat Shrink Tubing(62)

### Customers Also Bought



TE Part #2-1617748-5  
FCA-125-19=M6106/19-019



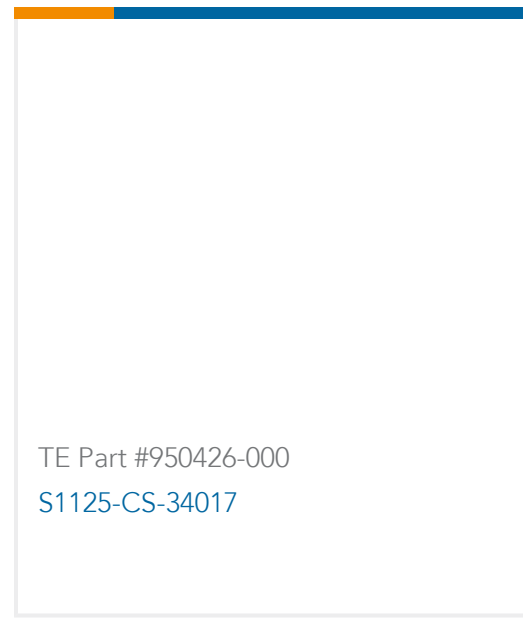
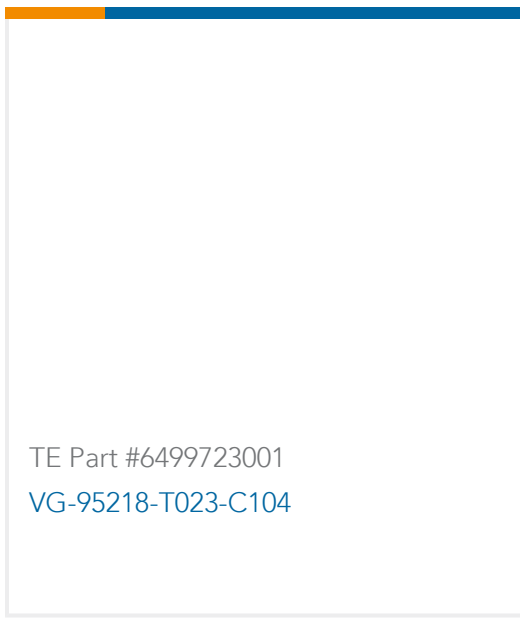
TE Part #NB25922001  
SCL Heat Shrink Tubing



TE Part #F058123001  
VG-95218-T023-C004



TE Part #1379096-3  
COV+LEV MQS 12W 90DEG BLK



## Documents

### Product Drawings

[SCL-3/8-0-STK](#)

English

---

### Datasheets & Catalog Pages

[SCL Pages from 9-1773447-9](#)

English

---

### Product Specifications

[Quality Specification](#)

English