

NB24132001 ✓ ACTIVE

RAYCHEM | RAYCHEM TAT-125

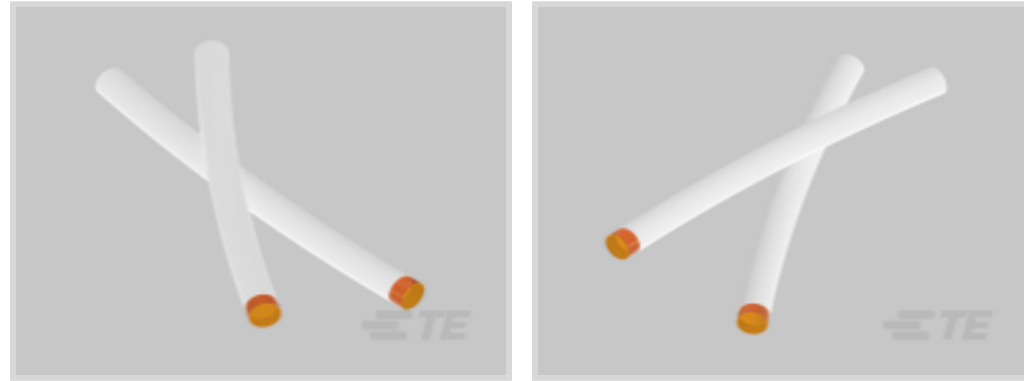
TE Internal #: NB24132001

White, 2:1, Dual Wall Tubing, Shrinks To 3.17 mm [.125 in],
Irradiated Modified Polyolefin, 6.35 mm [.25 in] Inner Diameter,
RAYCHEM TAT-125

[View on TE.com >](#)



Heat Shrink Tubing > TAT-125 Heat Shrink Tubing



Primary Product Color: **White**

Wall Type: **Dual Wall**

Expanded Inside Diameter (Min): **6.35 mm [.25 in]**

Recovered Inside Diameter (Max): **3.17 mm [.125 in]**

Shrink Ratio: **2:1**

[All TAT-125 Heat Shrink Tubing \(71\)](#)

Features

Product Type Features

Wall Type	Dual Wall
-----------	-----------

Body Features

Fluid Type	Aviation Fuel, Brake Fluid, Chemicals /Solvents, Hydraulic Fluid, Lubricating Oil, Water
Primary Product Color	White
Shrink Ratio	2:1
Primary Product Material	Irradiated Modified Polyolefin
Flexibility	Flexible

Dimensions

Recovered Wall Thickness (Nominal)	.87 mm[.034 in]
Product Length	1220 mm[48.031 in]
Expanded Inside Diameter (Min)	6.35 mm[.25 in]
Recovered Inside Diameter (Max)	3.17 mm[.125 in]
Tubing Size Range	3.17 – 6.35 mm[.125 – .25 in]

Usage Conditions

--	--



Shrink Temperature (Min)	95 °C
Resistance Properties	Moisture
Tubing Flammability Type	Flame-Retardant
Operating Temperature Range	-55 – 110 °C
Recovery Temperature	121 °C

Operation/Application

Mechanical Resistance	Cut-Through, Flexing, Fluids, Mechanical Damage
-----------------------	---

Product Availability

Applicable Region	Global
-------------------	--------

Packaging Features

Packaging Method	Bag & Box
------------------	-----------

Other

Meets Low Outgassing Requirements	No
Product Source	Czech Republic

Product Compliance

[For compliance documentation, visit the product page on TE.com>](#)

EU RoHS Directive 2011/65/EU	Compliant
EU ELV Directive 2000/53/EC	Compliant
China RoHS 2 Directive MIIT Order No 32, 2016	No Restricted Materials Above Threshold
EU REACH Regulation (EC) No. 1907/2006	Current ECHA Candidate List: JUNE 2024 (241) Candidate List Declared Against: JUNE 2024 (241) Does not contain REACH SVHC
Halogen Content	Not Low Halogen - contains Br or Cl > 900 ppm.
Solder Process Capability	Not applicable for solder process capability

Product Compliance Disclaimer

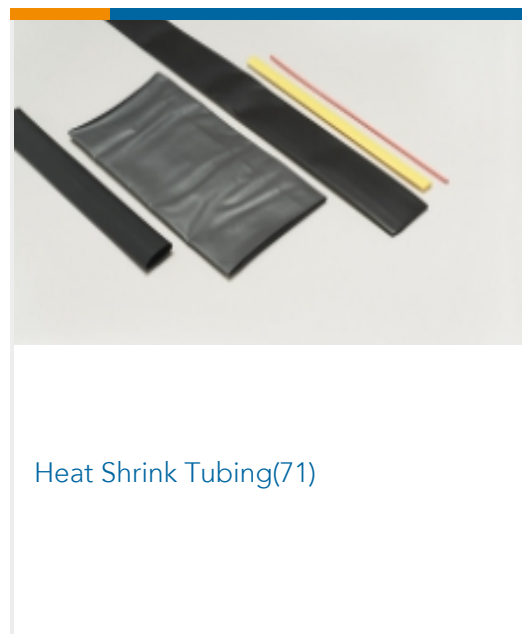
This information is provided based on reasonable inquiry of our suppliers and represents our current actual knowledge based on the information they provided. This information is subject to change. The part numbers that TE has identified as EU RoHS compliant have a maximum concentration of 0.1% by weight in homogenous materials for lead, hexavalent chromium, mercury, PBB, PBDE, DBP, BBP, DEHP, DIBP, and 0.01% for cadmium, or qualify for an exemption to these limits as defined in the Annexes of Directive 2011/65/EU (RoHS2). Finished electrical and electronic equipment products will be CE marked as required by Directive 2011/65/EU. Components may not be CE marked. Additionally, the part numbers that TE has identified as EU ELV compliant have a maximum concentration of 0.1% by weight in homogenous materials for lead, hexavalent chromium, and mercury, and 0.01% for cadmium, or qualify for an exemption to these limits

as defined in the Annexes of Directive 2000/53/EC (ELV). Regarding the REACH Regulation, the information TE provides on SVHC in articles for this part number is based on the latest European Chemicals Agency (ECHA) 'Guidance on requirements for substances in articles' posted at this URL: <https://echa.europa.eu/guidance-documents/guidance-on-reach>

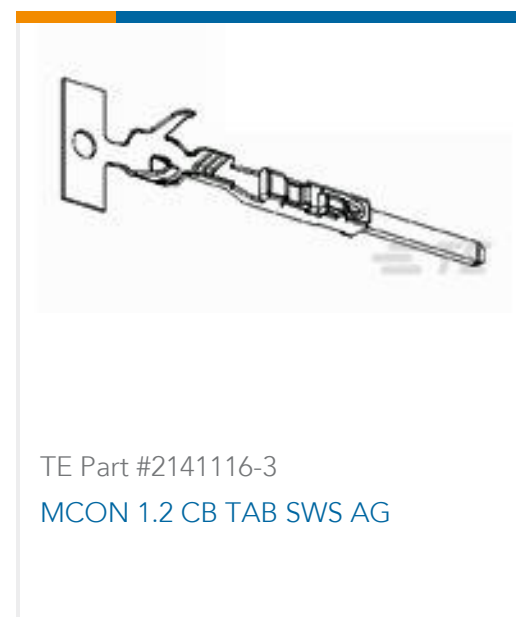
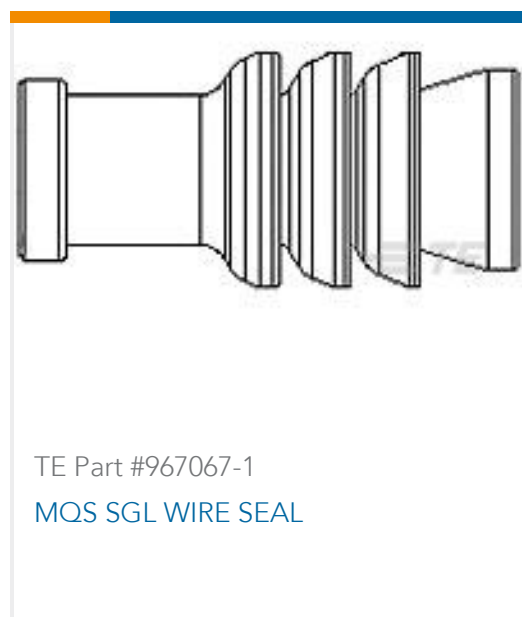
Compatible Parts



Also in the Series | RAYCHEM TAT-125



Customers Also Bought



Documents

Product Drawings

TAT-125-1/4-9-STK

English

Product Specifications

Application Specification

English