

RT-375-1-X-SP. ✓ ACTIVE

RAYCHEM | RAYCHEM RT-375

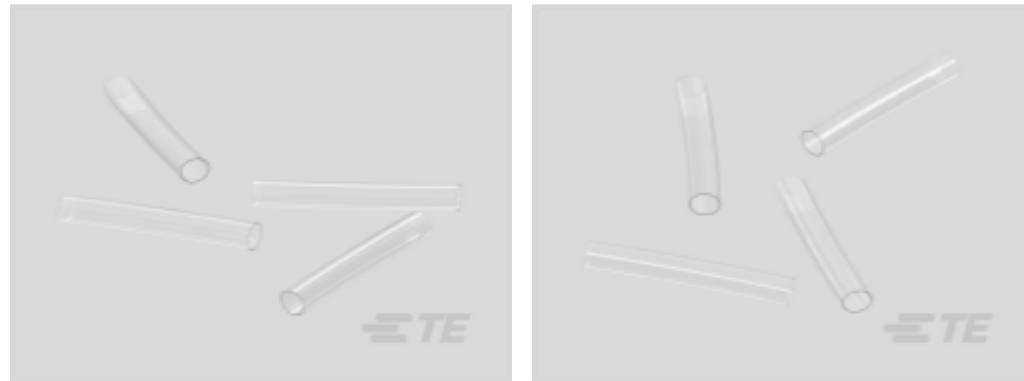
TE Internal #: NB17554001

Clear, 2:1, Single Wall Tubing, Shrinks To .5 in [12.7 mm],
Crosslinked Fluoropolymer, 1 in [25.4 mm] Inner Diameter,
RAYCHEM RT-375

[View on TE.com >](#)



Heat Shrink Tubing > RT-375 Heat Shrink Tubing



Primary Product Color: **Clear**

Wall Type: **Single Wall**

Expanded Inside Diameter (Min): **25.4 mm [1 in]**

Recovered Inside Diameter (Max): **12.7 mm [.5 in]**

Shrink Ratio: **2:1**

[All RT-375 Heat Shrink Tubing \(31\)](#)

Features

Product Type Features

Wall Type	Single Wall
-----------	-------------

Electrical Characteristics

Operating Voltage (Max)	.6 kV
-------------------------	-------

Body Features

Fluid Type	Aviation Fuel, Hydraulic Fluid, Lubricating Oil, Water
Primary Product Color	Clear
Shrink Ratio	2:1
Primary Product Material	Crosslinked Fluoropolymer
Flexibility	Flexible

Dimensions

Recovered Wall Thickness (Tolerance)	.15 mm[.006 in]
Recovered Wall Thickness (Nominal)	.48 mm[.019 in]
Expanded Inside Diameter (Min)	25.4 mm[1 in]
Recovered Inside Diameter (Max)	12.7 mm[.5 in]
Tubing Size Range	12.7 - 25.4 mm[.5 - 1 in]



Usage Conditions

Shrink Temperature (Min)	125 °C
Tubing Flammability Type	Highly Flame-Retardant
Operating Temperature Range	-55 - 150 °C
Recovery Temperature	150 °C

Operation/Application

Mechanical Resistance	Abrasion, Fluids, Mechanical Damage, Strain Relief
-----------------------	---

Product Availability

Applicable Region	Global
-------------------	--------

Packaging Features

Packaging Method	Spool
------------------	-------

Other

Meets Low Outgassing Requirements	No
Product Source	Czech Republic

Product Compliance

[For compliance documentation, visit the product page on TE.com>](#)

EU RoHS Directive 2011/65/EU	Compliant
EU ELV Directive 2000/53/EC	Compliant
China RoHS 2 Directive MIIT Order No 32, 2016	No Restricted Materials Above Threshold
EU REACH Regulation (EC) No. 1907/2006	Current ECHA Candidate List: JAN 2024 (240) Candidate List Declared Against: JAN 2024 (240) Does not contain REACH SVHC
Halogen Content	Low Bromine/Chlorine - Br and Cl < 900 ppm per homogenous material. Also BFR /CFR/PVC Free
Solder Process Capability	Not applicable for solder process capability

Product Compliance Disclaimer

This information is provided based on reasonable inquiry of our suppliers and represents our current actual knowledge based on the information they provided. This information is subject to change. The part numbers that TE has identified as EU RoHS compliant have a maximum concentration of 0.1% by weight in homogenous materials for lead, hexavalent chromium, mercury, PBB, PBDE, DBP, BBP, DEHP, DIBP, and 0.01% for cadmium, or qualify for an exemption to these limits as defined in the Annexes of Directive 2011/65/EU (RoHS2). Finished electrical and electronic equipment products will be CE marked as required by Directive 2011/65/EU. Components may not be CE marked. Additionally, the part

numbers that TE has identified as EU ELV compliant have a maximum concentration of 0.1% by weight in homogenous materials for lead, hexavalent chromium, and mercury, and 0.01% for cadmium, or qualify for an exemption to these limits as defined in the Annexes of Directive 2000/53/EC (ELV). Regarding the REACH Regulation, the information TE provides on SVHC in articles for this part number is based on the latest European Chemicals Agency (ECHA) 'Guidance on requirements for substances in articles' posted at this URL: <https://echa.europa.eu/guidance-documents/guidance-on-reach>

Compatible Parts

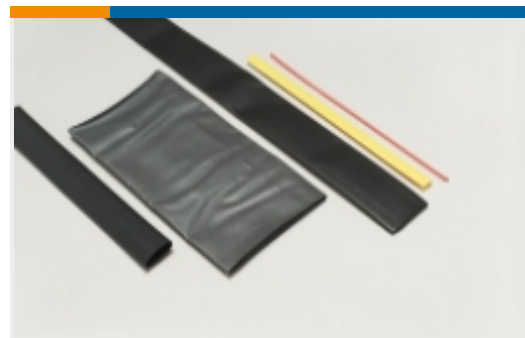


TE Part # CAT-HST-RT375
RT-375 Heat Shrink Tubing



TE Part # NB17584001
RT-375-3/4-X-SP

Also in the Series | RAYCHEM RT-375

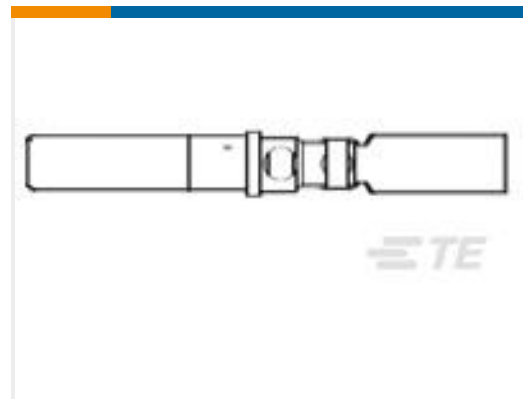


Heat Shrink Tubing(32)

Customers Also Bought



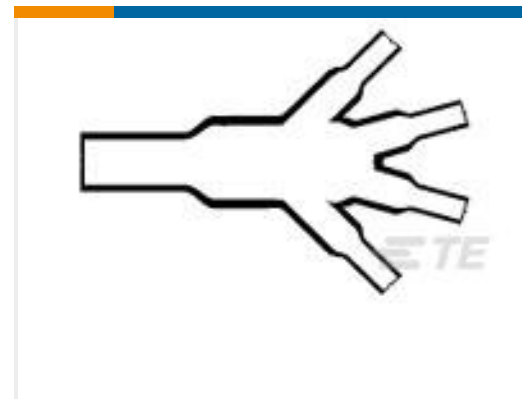
TE Part # NB15944001
RT-375 Heat Shrink Tubing



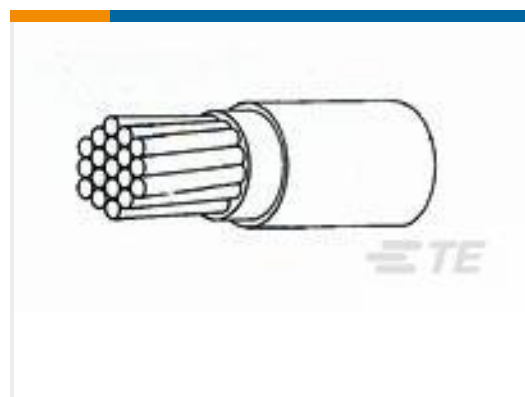
TE Part # 910661-000
D-602-0279



TE Part # NB17584001
RT-375-3/4-X-SP



TE Part # 982918-000
562A032-25/225-0



TE Part # F114063001
44A0111-12-9CK0001



TE Part # 0110183001
44A1121-22-0/9-9CK0001



TE Part # CQ86883001
FTR16-50-0CK1200

RT-375-1-X-SP.

Clear, 2:1, Single Wall Tubing, Shrinks To .5 in [12.7 mm], Crosslinked Fluoropolymer,
1 in [25.4 mm] Inner Diameter, RAYCHEM RT-375



Documents

Product Drawings

[RT-375-1-X-SP](#)

English

Product Specifications

[Application Specification](#)

English