



RAYCHEM | RAYCHEM CRN

TE Internal #: NB15312001

Black, 2:1, Single Wall Tubing, Shrinks To .062 in [1.57 mm],  
Irradiated Modified Polyolefin, .125 in [3.17 mm] Inner Diameter,  
RAYCHEM CRN

[View on TE.com >](#)

Heat Shrink Tubing > CRN Heat Shrink Tubing



Primary Product Color: **Black**

Wall Type: **Single Wall**

Expanded Inside Diameter (Min): **3.17 mm [ .125 in ]**

Recovered Inside Diameter (Max): **1.57 mm [ .062 in ]**

Shrink Ratio: **2:1**

[All CRN Heat Shrink Tubing \(59\)](#)

## Features

### Product Type Features

Wall Type	Single Wall
-----------	-------------

### Electrical Characteristics

Operating Voltage (Max)	.6 kV
-------------------------	-------

### Body Features

Fluid Type	Aviation Fuel, Hydraulic Fluid, Water
Primary Product Color	Black
Shrink Ratio	2:1
Primary Product Material	Irradiated Modified Polyolefin
Flexibility	Semi-Rigid

### Dimensions

Recovered Wall Thickness (Tolerance)	.15 mm[.006 in]
Recovered Wall Thickness (Nominal)	.5 mm[.02 in]



Product Length	1220 mm[48.031 in]
Expanded Inside Diameter (Min)	3.17 mm[.125 in]
Recovered Inside Diameter (Max)	1.57 mm[.062 in]

### Usage Conditions

Shrink Temperature (Min)	110 °C
Tubing Flammability Type	Flame-Retardant
Operating Temperature Range	-55 – 135 °C
Recovery Temperature	135 °C

### Operation/Application

Mechanical Resistance	Abrasion, Fluids, Strain Relief
-----------------------	---------------------------------

### Product Availability

Applicable Region	Global
-------------------	--------

### Packaging Features

Packaging Method	Stick
------------------	-------

### Other

Meets Low Outgassing Requirements	No
Product Source	Czech Republic

## Product Compliance

[For compliance documentation, visit the product page on TE.com>](#)

EU RoHS Directive 2011/65/EU	Compliant
EU ELV Directive 2000/53/EC	Compliant
China RoHS 2 Directive MIIT Order No 32, 2016	No Restricted Materials Above Threshold
EU REACH Regulation (EC) No. 1907/2006	Current ECHA Candidate List: JUNE 2023 (235) Candidate List Declared Against: JUNE 2023 (235) Does not contain REACH SVHC
Halogen Content	Not Low Halogen - contains Br or Cl > 900 ppm.
Solder Process Capability	Not applicable for solder process capability

#### Product Compliance Disclaimer

This information is provided based on reasonable inquiry of our suppliers and represents our current actual knowledge based on the information they provided. This information is subject to change. The part numbers that TE has identified as EU RoHS compliant have a maximum concentration of 0.1% by weight in homogenous materials for lead, hexavalent

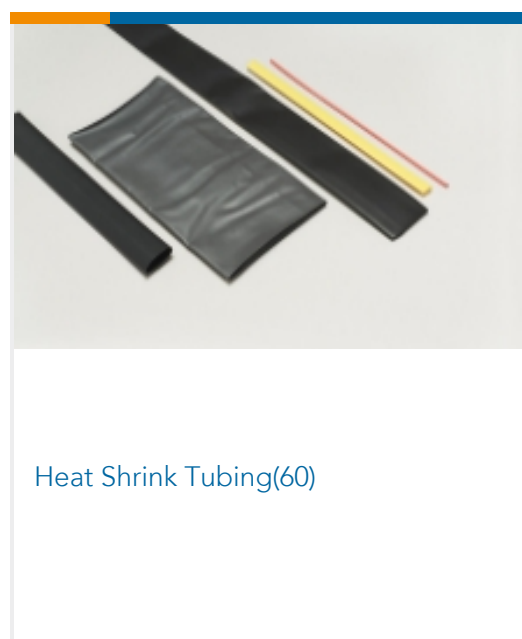


chromium, mercury, PBB, PBDE, DBP, BBP, DEHP, DIBP, and 0.01% for cadmium, or qualify for an exemption to these limits as defined in the Annexes of Directive 2011/65/EU (RoHS2). Finished electrical and electronic equipment products will be CE marked as required by Directive 2011/65/EU. Components may not be CE marked. Additionally, the part numbers that TE has identified as EU ELV compliant have a maximum concentration of 0.1% by weight in homogenous materials for lead, hexavalent chromium, and mercury, and 0.01% for cadmium, or qualify for an exemption to these limits as defined in the Annexes of Directive 2000/53/EC (ELV). Regarding the REACH Regulation, the information TE provides on SVHC in articles for this part number is based on the latest European Chemicals Agency (ECHA) 'Guidance on requirements for substances in articles' posted at this URL: <https://echa.europa.eu/guidance-documents/guidance-on-reach>

## Compatible Parts

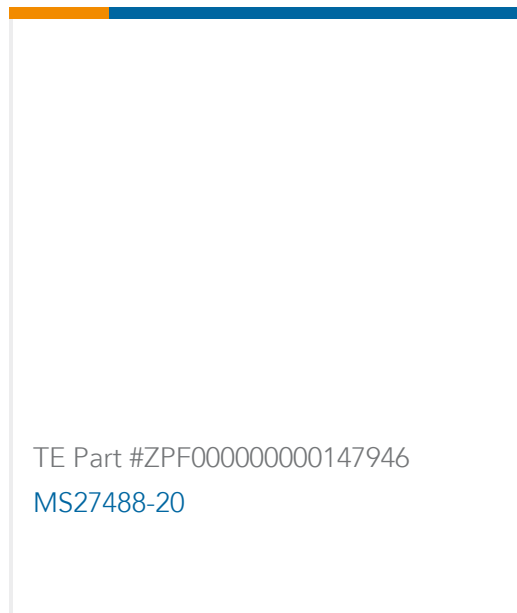
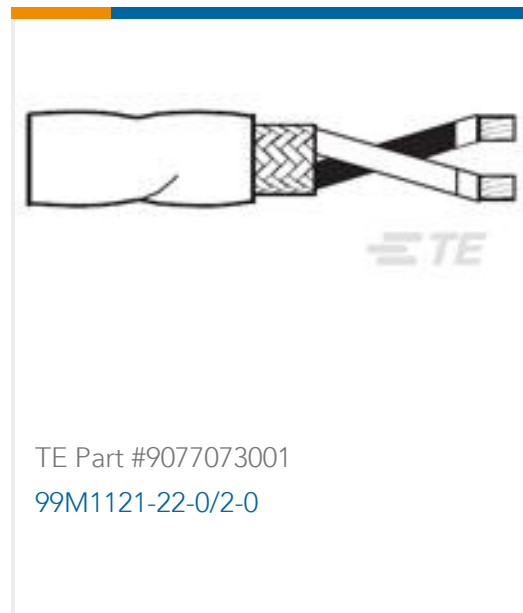
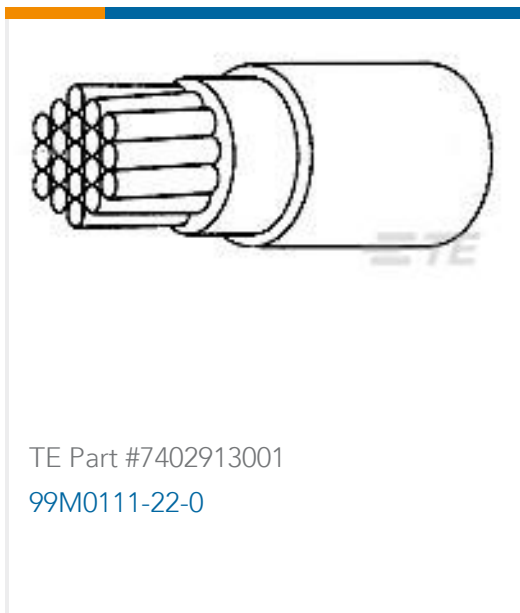


## Also in the Series | RAYCHEM CRN



## Customers Also Bought





## Documents

### Product Drawings

[CRN-1/8-0-STK](#)

English

### Product Specifications

[Quality Specification](#)

English