

NB14684001 ✓ ACTIVE

RAYCHEM | RAYCHEM Versafit

TE Internal #: NB14684001

Black, 3:1, Single Wall Tubing, Shrinks To .126 in [3.2 mm],
Irradiated Modified Polyolefin, .374 in [9.5 mm] Inner Diameter,
RAYCHEM Versafit

[View on TE.com >](#)



Heat Shrink Tubing



Primary Product Color: **Black**

Wall Type: **Single Wall**

Expanded Inside Diameter (Min): **9.5 mm [.374 in]**

Recovered Inside Diameter (Max): **3.2 mm [.126 in]**

Shrink Ratio: **3:1**

Features

Product Type Features

Wall Type	Single Wall
-----------	-------------

Electrical Characteristics

Operating Voltage (Max)	.6 kV
-------------------------	-------

Body Features

Fluid Type	Aviation Fuel, Chemicals/Solvents, De-Icing Fluid, Hydraulic Fluid, Lubricating Oil, Water
Primary Product Color	Black
Shrink Ratio	3:1
Primary Product Material	Irradiated Modified Polyolefin
Flexibility	Very Flexible

Dimensions

Recovered Wall Thickness (Tolerance)	.16 mm[.006 in]
Recovered Wall Thickness (Nominal)	.61 mm[.024 in]
Expanded Inside Diameter (Min)	9.5 mm[.374 in]
Recovered Inside Diameter (Max)	3.2 mm[.126 in]
Tubing Size Range	3.2 – 9.5 mm[.125 – .375 in]

Usage Conditions



Shrink Temperature (Min)	70 °C
Tubing Flammability Type	Highly Flame-Retardant
Operating Temperature Range	-55 – 135 °C
Recovery Temperature	90 °C

Operation/Application

Mechanical Resistance	Strain Relief
-----------------------	---------------

Product Availability

Applicable Region	Global
-------------------	--------

Packaging Features

Packaging Method	Reel
------------------	------

Other

Meets Low Outgassing Requirements	No
Product Source	Czech Republic

Product Compliance

[For compliance documentation, visit the product page on TE.com>](#)

EU RoHS Directive 2011/65/EU	Compliant
EU ELV Directive 2000/53/EC	Compliant
China RoHS 2 Directive MIIT Order No 32, 2016	No Restricted Materials Above Threshold
EU REACH Regulation (EC) No. 1907/2006	Current ECHA Candidate List: JUNE 2024 (241) Candidate List Declared Against: JUNE 2024 (241) Does not contain REACH SVHC
Halogen Content	Not Low Halogen - contains Br or Cl > 900 ppm.
Solder Process Capability	Not applicable for solder process capability

Product Compliance Disclaimer

This information is provided based on reasonable inquiry of our suppliers and represents our current actual knowledge based on the information they provided. This information is subject to change. The part numbers that TE has identified as EU RoHS compliant have a maximum concentration of 0.1% by weight in homogenous materials for lead, hexavalent chromium, mercury, PBB, PBDE, DBP, BBP, DEHP, DIBP, and 0.01% for cadmium, or qualify for an exemption to these limits as defined in the Annexes of Directive 2011/65/EU (RoHS2). Finished electrical and electronic equipment products will be CE marked as required by Directive 2011/65/EU. Components may not be CE marked. Additionally, the part numbers that TE has identified as EU ELV compliant have a maximum concentration of 0.1% by weight in homogenous materials for lead, hexavalent chromium, and mercury, and 0.01% for cadmium, or qualify for an exemption to these limits as defined in the Annexes of Directive 2000/53/EC (ELV). Regarding the REACH Regulation, the information TE provides



on SVHC in articles for this part number is based on the latest European Chemicals Agency (ECHA) 'Guidance on requirements for substances in articles' posted at this URL: <https://echa.europa.eu/guidance-documents/guidance-on-reach>

Compatible Parts



TE Part # EG1114-000
CV1981-ST-230V1600W-EU

Also in the Series | RAYCHEM Versafit

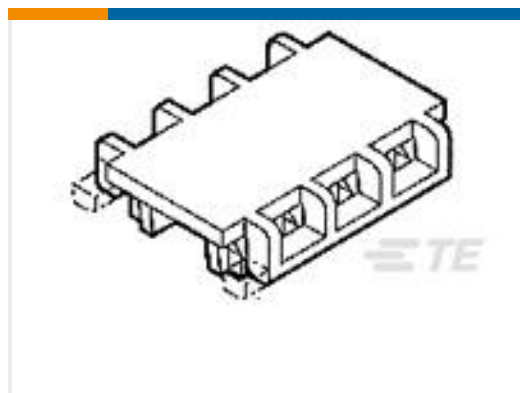


Heat Shrink Tubing(257)

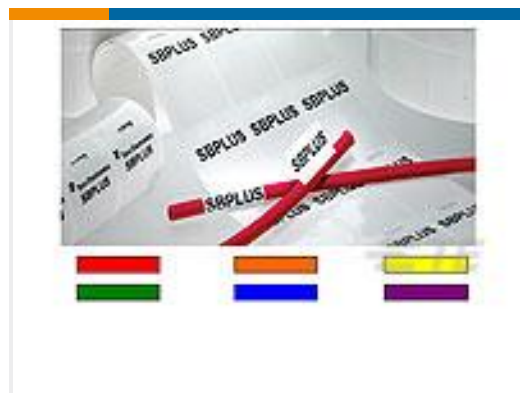
Customers Also Bought



TE Part #4-1393224-2
RY211005



TE Part #643071-4
04P MTA156 FD-THRU COVER



TE Part #CN9926-000
SBP100375WE2.5



TE Part #NB14862001
DWP-125 Heat Shrink Tubing



TE Part #NB17324001
RP-4800-NO.11-0-SP



TE Part #NB14134001
VERSAFIT-1/2-0-SP



TE Part #NB20424001
VERSAFIT-3/32-0-SP



TE Part #5053044177
RNF-100-3/16-BK-SP

Documents

Product Drawings



VERSAFIT-3X-3/8-0-SP

English

Product Specifications

Application Specification

English