

NB14644001 ✓ ACTIVE

RAYCHEM | RAYCHEM Versafit

TE Internal #: NB14644001

Black, 3:1, Single Wall Tubing, Shrinks To 2.2 mm [.087 in],  
Irradiated Modified Polyolefin, 6.4 mm [.252 in] Inner Diameter,  
RAYCHEM Versafit

[View on TE.com >](#)



Heat Shrink Tubing



Primary Product Color: **Black**

Wall Type: **Single Wall**

Expanded Inside Diameter (Min): **6.4 mm [ .252 in ]**

Recovered Inside Diameter (Max): **2.2 mm [ .087 in ]**

Shrink Ratio: **3:1**

## Features

### Product Type Features

|           |             |
|-----------|-------------|
| Wall Type | Single Wall |
|-----------|-------------|

### Electrical Characteristics

|                         |       |
|-------------------------|-------|
| Operating Voltage (Max) | .6 kV |
|-------------------------|-------|

### Body Features

|                          |  |
|--------------------------|--|
| Fluid Type               | Aviation Fuel, Chemicals/Solvents, De-Icing Fluid, Hydraulic Fluid, Lubricating Oil, Water |
| Primary Product Color    | Black  |
| Shrink Ratio             | 3:1  |
| Primary Product Material | Irradiated Modified Polyolefin   |
| Flexibility              | Very Flexible  |

### Dimensions

|                                      |                             |
|--------------------------------------|-----------------------------|
| Recovered Wall Thickness (Tolerance) | .16 mm[.006 in]             |
| Recovered Wall Thickness (Nominal)   | .58 mm[.023 in]             |
| Expanded Inside Diameter (Min)       | 6.4 mm[.252 in]             |
| Recovered Inside Diameter (Max)      | 2.2 mm[.087 in]             |
| Tubing Size Range                    | 2.2 – 6.4 mm[.083 – .25 in] |

### Usage Conditions



|                             |                        |
|-----------------------------|------------------------|
| Shrink Temperature (Min)    | 70 °C                  |
| Tubing Flammability Type    | Highly Flame-Retardant |
| Operating Temperature Range | -55 – 135 °C           |
| Recovery Temperature        | 90 °C                  |

### Operation/Application

|                       |               |
|-----------------------|---------------|
| Mechanical Resistance | Strain Relief |
|-----------------------|---------------|

### Product Availability

|                   |        |
|-------------------|--------|
| Applicable Region | Global |
|-------------------|--------|

### Packaging Features

|                  |      |
|------------------|------|
| Packaging Method | Reel |
|------------------|------|

### Other

|                                   |                |
|-----------------------------------|----------------|
| Meets Low Outgassing Requirements | No             |
| Product Source                    | Czech Republic |

## Product Compliance

[For compliance documentation, visit the product page on TE.com>](#)

|   |   |
|---|---|
| EU RoHS Directive 2011/65/EU                  | Compliant   |
| EU ELV Directive 2000/53/EC                   | Compliant   |
| China RoHS 2 Directive MIIT Order No 32, 2016 | No Restricted Materials Above Threshold   |
| EU REACH Regulation (EC) No. 1907/2006        | Current ECHA Candidate List: JUNE 2024 (241)<br>Candidate List Declared Against: JUNE 2024 (241)<br>Does not contain REACH SVHC |
| Halogen Content                               | Not Low Halogen - contains Br or Cl > 900 ppm.  |
| Solder Process Capability                     | Not applicable for solder process capability  |

#### Product Compliance Disclaimer

This information is provided based on reasonable inquiry of our suppliers and represents our current actual knowledge based on the information they provided. This information is subject to change. The part numbers that TE has identified as EU RoHS compliant have a maximum concentration of 0.1% by weight in homogenous materials for lead, hexavalent chromium, mercury, PBB, PBDE, DBP, BBP, DEHP, DIBP, and 0.01% for cadmium, or qualify for an exemption to these limits as defined in the Annexes of Directive 2011/65/EU (RoHS2). Finished electrical and electronic equipment products will be CE marked as required by Directive 2011/65/EU. Components may not be CE marked. Additionally, the part numbers that TE has identified as EU ELV compliant have a maximum concentration of 0.1% by weight in homogenous materials for lead, hexavalent chromium, and mercury, and 0.01% for cadmium, or qualify for an exemption to these limits as defined in the Annexes of Directive 2000/53/EC (ELV). Regarding the REACH Regulation, the information TE provides

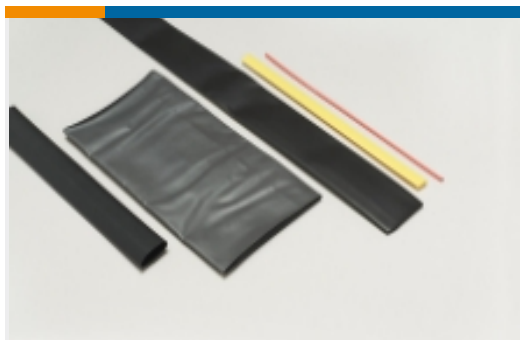
on SVHC in articles for this part number is based on the latest European Chemicals Agency (ECHA) 'Guidance on requirements for substances in articles' posted at this URL: <https://echa.europa.eu/guidance-documents/guidance-on-reach>

### Compatible Parts



TE Part # EG1114-000  
CV1981-ST-230V1600W-EU

### Also in the Series | RAYCHEM Versafit



Heat Shrink Tubing(257)

### Customers Also Bought



TE Part #9-1971773-2  
PTL 1X2 PLUG HSG HIGH TEMP KEY  
A LGR



TE Part #1971777-2  
PTL TPA HIGH TEMP 1 x 2 BLACK



TE Part #1971783-2  
PTL RECEPTACLE CONTACT, 16-19  
AWG, 2X22



TE Part #1-480319-0  
02P CMNL CAP HSG NATL



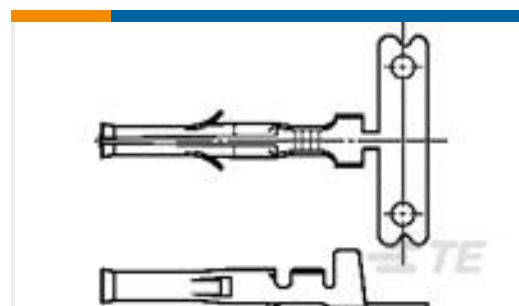
TE Part #350558-1  
MNL PIN SPECIAL .0126 PTPBR



TE Part #485030-1  
RING 18-14 AWG TPBR



TE Part #61116-1  
CMNL PIN 24-18 PTBR



TE Part #350628-1  
.062 COMM P&S SOK 18-24 PTPBR



## Documents

### Product Drawings

[VERSAFIT-3X-1/4-0-SP](#)

English

### Product Specifications

[Application Specification](#)

English