

Surface Mount Aluminum Electrolytic Capacitors NASE Series

FEATURES

- CYLINDRICAL V-CHIP CONSTRUCTION FOR SURFACE MOUNTING
- SUIT FOR HIGH TEMPERATURE REFLOW SOLDERING (UP TO 260°C)
- 2,000 HOUR LOAD LIFE @ +85°C)
- DESIGNED FOR AUTOMATIC MOUNTING AND REFLOW SOLDERING

SAC Alloy Compatible
230°C ~ 260°C



RoHS Compliant
includes all homogeneous materials

CHARACTERISTICS

*See Part Number System for Details

Rated Voltage Rating	6.3 ~ 50Vdc						
Rated Capacitance Range	1.0 ~ 1,000μF						
Operating Temp. Range	-40 ~ +85°C						
Capacitance Tolerance	±20% (M)						
Max. Leakage Current After 2 Minutes @ 20°C	0.01CV or 3μA whichever is greater						
Tan δ @ 120Hz/20°C	W.V. (Vdc)	6.3	10	16	25	35	50
	S.V. (Vdc)	8.0	13	20	32	44	63
	4 ~ 5mm diameter & 6.3x5.5mm	0.26	0.22	0.18	0.16	0.13	0.12
	6.3x8mm & 8~10mm diameter	0.35	0.26	0.20	0.16	0.14	0.12
Low Temperature Stability Impedance Ratio @ 120Hz	W.V. (Vdc)	6.3	10	16	25	35	50
	Z-25°C/Z+20°C	4	3	2	2	2	2
	Z-40°C/Z+20°C	8	8	4	4	3	3
Load Life Test @ 85°C All Case Sizes = 2,000 hours	Capacitance Change	Within ±25% of initial measured value					
	Tan δ	Less than ±200% of the specified maximum value					
	Leakage Current	Less than the specified maximum value					

LOW ESR COMPONENT
LIQUID ELECTROLYTE
For Performance Data
see www.LowESR.com

STANDARD VALUES AND CASE SIZES (mm)

Cap. (μF)	Code	Working Voltage (Vdc)					
		6.3	10	16	25	35	50
1.0	1R0	-	-	-	-	-	4x5.5
2.2	2R2	-	-	-	-	-	4x5.5
3.3	3R3	-	-	-	-	-	4x5.5
4.7	4R7	-	-	-	4x5.5	4x5.5	5x5.5
10	100	-	-	4x5.5	4x5.5	5x5.5	6.3x5.5
22	220	4x5.5	-	5x5.5	-	6.3x5.5	6.3x5.5
33	330	-	5x5.5	-	6.3x5.5	6.3x5.5	6.3x8 8x10.5
47	470	5x5.5	-	6.3x5.5	-	6.3x8	10x10.5
100	101	6.3x5.5	6.3x5.5	6.3x5.5	6.3x8	10x10.5	8x10.5
220	221	-	6.3x8	8x10.5	8x10.5	8x10.5	-
330	331	6.3x8	8x10.5	8x10.5	-	-	-
470	471	8x10.5	8x10.5	8x10.5	-	-	-
				10x10.5	-	-	-
1000	102	10x10.5	-	-	-	-	-

PEAK REFLOW TEMPERATURE CODES

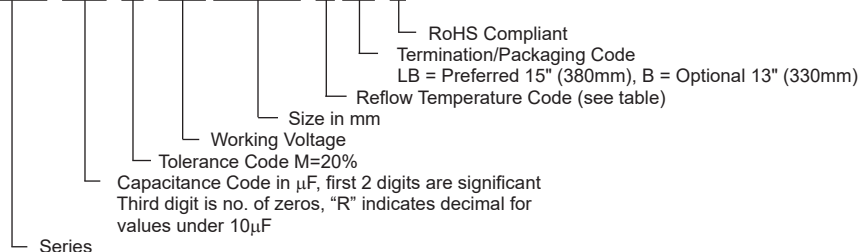
Code	Peak Reflow Temperature
N	260°C
L	250°C

TERMINATION FINISH & PACKAGING OPTIONS CODES

Code	Finish & Reel Size
B	Sn-Bi Finish & 13" Reel
LB	Sn-Bi Finish & 15" Reel
S	100% Sn Finish & 13" Reel
LS	100% Sn Finish & 15" Reel

PART NUMBER SYSTEM

NASE 101 M 16V 6.3x5.5 N LB F



Surface Mount Aluminum Electrolytic Capacitors NASE Series

STANDARD VALUES, CASE SIZES AND SPECIFICATIONS

NIC Part Number	Cap. (µF)	W.V. (Vdc)	Dissipation Factor (Tan δ)	Max. Ripple Current (mA) +85°C/120Hz	Load Life Hours @ +85°C
NASE220M6.3V4X5.5NLBF	22	6.3	0.26	29	2,000
NASE470M6.3V5X5.5NLBF	47		0.26	46	2,000
NASE101M6.3V6.3X5.5NLBF	100		0.26	71	2,000
NASE331M6.3V6.3X8NLBF	330		0.35	190	2,000
NASE471M6.3V8X10.5LLBF	470		0.35	380	2,000
NASE102M6.3V10X10.5LLBF	1000		0.35	700	2,000
NASE330M10V5X5.5NLBF	33	10	0.22	43	2,000
NASE101M10V6.3X5.5NLBF	100		0.22	71	2,000
NASE221M10V6.3X8NLBF	220		0.26	175	2,000
NASE331M10V8X10.5LLBF	330		0.26	330	2,000
NASE471M10V8X10.5LLBF	470		0.26	380	2,000
NASE100M16V4X5.5NLBF	10	16	0.18	25	2,000
NASE220M16V5X5.5NLBF	22		0.18	39	2,000
NASE470M16V5X5.5NLBF	47		0.18	50	2,000
NASE101M16V6.3X5.5NLBF	100		0.18	86	2,000
NASE221M16V8X10.5LLBF	220		0.20	290	2,000
NASE331M16V8X10.5LLBF	330		0.20	330	2,000
NASE471M16V8X10.5LLBF	470		0.20	385	2,000
NASE471M16V10X10.5LLBF	470		0.20	690	2,000
NASE4R7M25V4X5.5NLBF	4.7	25	0.16	18	2,000
NASE100M25V4X5.5NLBF	10		0.16	25	2,000
NASE330M25V6.3X5.5NLBF	33		0.16	54	2,000
NASE101M25V6.3X8NLBF	100		0.16	145	2,000
NASE221M25V8X10.5LLBF	220		0.16	300	2,000
NASE4R7M35V4X5.5NLBF	4.7	35	0.13	18	2,000
NASE100M35V5X5.5NLBF	10		0.13	30	2,000
NASE220M35V6.3X5.5NLBF	22		0.13	48	2,000
NASE330M35V6.3X5.5NLBF	33		0.13	58	2,000
NASE470M35V6.3X8NLBF	47		0.14	105	2,000
NASE101M35V10X10.5LLBF	100		0.14	480	2,000
NASE221M35V8X10.5LLBF	220		0.14	280	2,000
NASE1R0M50V4X5.5NLBF	1.0	50	0.12	8.4	2,000
NASE2R2M50V4X5.5NLBF	2.2		0.12	14	2,000
NASE3R3M50V4X5.5NLBF	3.3		0.12	17	2,000
NASE4R7M50V5X5.5NLBF	4.7		0.12	22	2,000
NASE100M50V6.3X5.5NLBF	10		0.12	35	2,000
NASE220M50V6.3X5.5NLBF	22		0.12	48	2,000
NASE330M50V6.3X8NLBF	33		0.12	95	2,000
NASE330M50V8X10.5LLBF	33		0.12	200	2,000
NASE470M50V10X10.5LLBF	47		0.12	280	2,000
NASE101M50V8X10.5LLBF	100		0.12	320	2,000

PRECAUTIONS

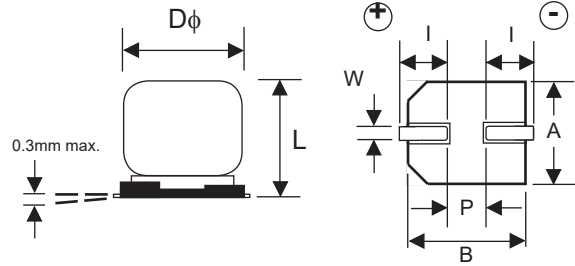
Please review the notes on correct use, safety and precautions found at <https://www.niccomp.com/resource/files/aluminum/AlumApplInfoCautions.pdf>
 If in doubt or uncertainty, please review your specific application - process details with
 NIC's technical support personnel: tpmg@niccomp.com



Surface Mount Aluminum Electrolytic Capacitors NASE Series

DIMENSIONS (mm) AND REEL QUANTITIES

Case Size	$\phi D \pm 0.5$	L max.	A ± 0.2	B ± 0.2	I ± 0.3	W	P ± 0.3	Qty/Reel
4x5.5	4.0	5.5	4.3	4.3	1.8	0.5~0.8	1.0	1,500
5x5.5	5.0	5.5	5.3	5.3	2.2	0.5~0.8	1.4	1,000
6.3x5.5	6.3	5.5	6.6	6.6	2.7	0.5~0.8	2.2	1,000
6.3x8	6.3	8.0	6.6	6.6	2.7	0.5~0.8	2.2	500
8x10.5	8.0	10.5	8.3	8.3	2.9	0.7~1.1	3.2	300
10x10.5	10.0	10.5	10.3	10.3	3.2	0.7~1.4	4.6	300



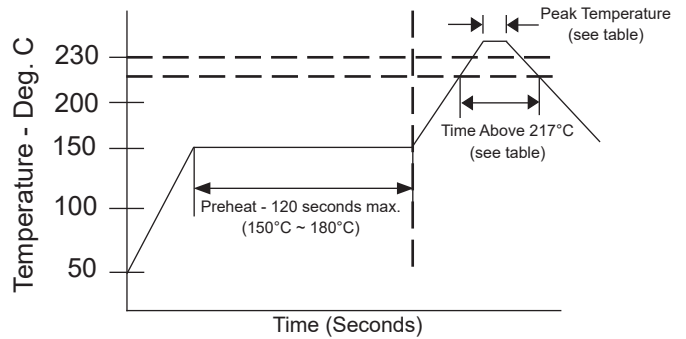
RIPPLE CURRENT FREQUENCY CORRECTION FACTORS

Frequency	50/60Hz	120Hz	500Hz	1KHz	10KHz
1 μ F	0.5	1.00	1.20	1.30	1.50
2.2~4.7 μ F	0.65	1.00	1.20	1.30	1.50
10~47 μ F	0.80	1.00	1.20	1.30	1.50
100~1000 μ F	0.80	1.00	1.10	1.15	1.20

PEAK REFLOW TEMPERATURE AND DURATION

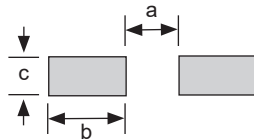
Diameter	Time above 217°C	Peak Temperature 5 seconds
4 ~ 6.3mm ϕ	60 sec. max.	260°C
8 ~ 10mm ϕ	60 sec. max.	250°C

Capacitors can withstand two times reflow at the above conditions. Second reflow shall be at least one hour after natural cool to room temperature.



RECOMMENDED LAND PATTERN DIMENSIONS (mm)

Case Size	a	b	c
4x5.5	1.0	2.6	1.8
5x5.5	1.4	3.0	1.8
6x3x5.5 6.3x8	2.1	3.5	1.8
8x10.5	2.8	4.1	2.1
10x10.5	4.3	4.4	2.2



Review & Compare Reflow Soldering Heat Limits
V-chip SMT Aluminum Electrolytic Capacitors
www.niccomp.com/RSL

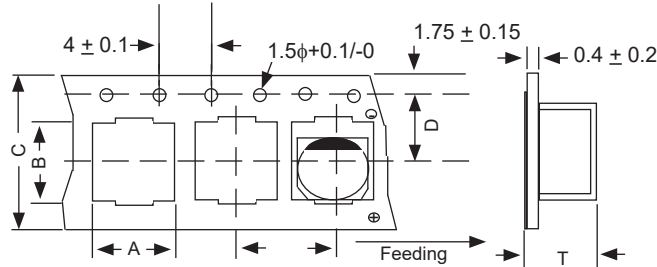
CARRIER TAPE

Case Size	A ±0.5	B ±0.2	C ±0.3	D ±0.1	P ±0.1	T ±0.2
4 x 5.5	4.7	4.7	12.0	5.5	8.0	5.8
5 x 5.5	5.7	5.7	12.0	5.5	12.0	5.8
6.3 x 5.5	7.0	7.0	16.0	7.5	12.0	5.8
6.3 x 8	7.0	7.0	16.0	7.5	12.0	8.3
8 X 10.5	8.7	8.7	24.0	11.5	16.0	11.1
10 x 10.5	10.7	10.7	24.0	11.5	16.0	11.2

TAPING SPECIFICATIONS (mm)

- Both Leader and Trailer tape: Minimum 40mm (1.57") empty carrier tape pockets.
- Leader tape: Approximately 20cm of cover tape at leader.
- Connection: Maximum 3 connections (slices) per reel.

CARRIER



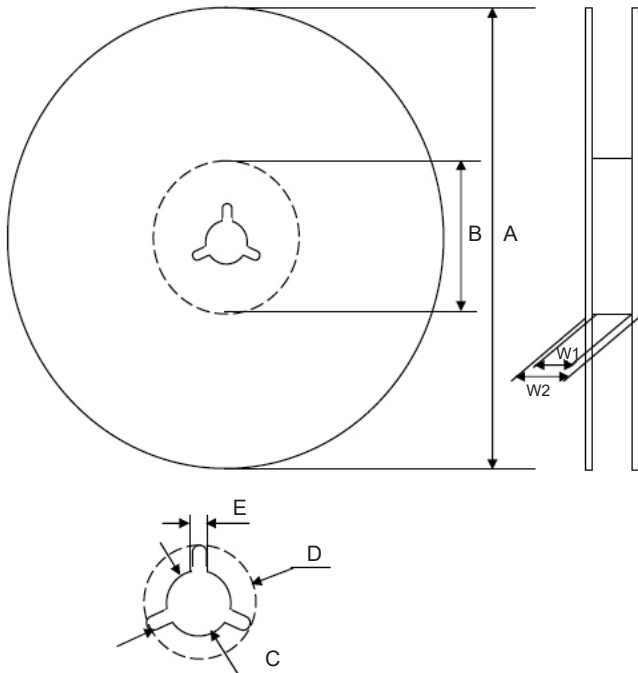
Preferred V-Chip 15" (380mm) Reels (LBF suffix)

Dimensions (mm)

Case Size	Tape Width	W1	W2
4x5.5, 5x5.5	12.0	12.5 ~ 14.0	15.5 ~ 20.0
6.3x5.5, 6.3x8	16.0	16.5 ~ 18.0	19.5 ~ 24.0
8x10.5, 10x8	24.0	24.5 ~ 26.0	27.5 ~ 32.0

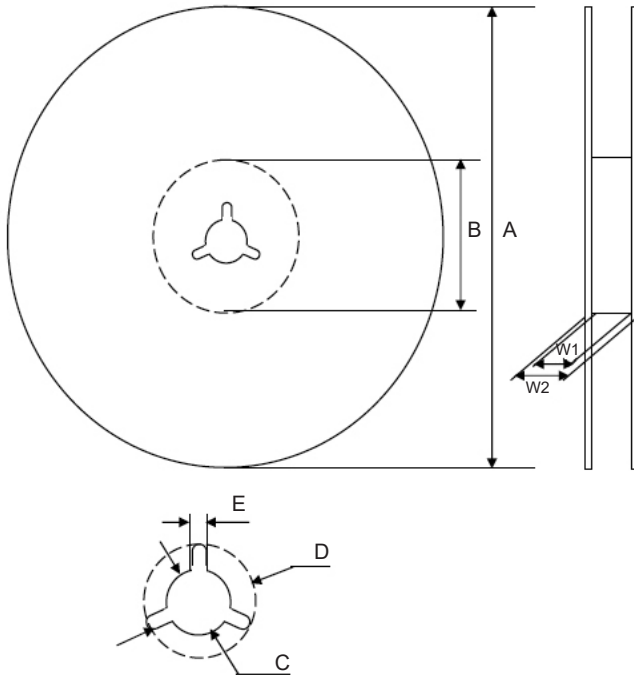
Case Size	Tape Width	A	B	C	D	E
4x5.5, 5x5.5	12.0	φ380 ±2	φ80~105	φ13 ±0.5	φ21 ±1.0	2.0 ±0.5
6.3x5.5, 6.3x8	16.0					
8x10.5, 10x8	24.0					

Color
Black or Blue



Surface Mount Aluminum Electrolytic Capacitors NASE Series

Optional V-Chip 13" (330mm) Reels (BF suffix)



Dimensions (mm)

Case Size	Tape Width	W1	W2
4x5.5, 5x5.5	12.0	12.4 ~ 14.4	15.5 ~ 20.0
6.3x5.5, 6.3x8	16.0	16.4 ~ 18.4	19.5 ~ 24.0
8x10.5, 10x8	24.0	24.4 ~ 26.4	27.5 ~ 32.0

Case Size	Tape Width	A	B	C	D	E
4x5.5, 5x5.5	12.0	φ330 ±2.0	φ50~105	φ13 ±0.5	φ21 ±1.0	2.0 ±0.5
6.3x5.5, 6.3x8	16.0					
8x10.5, 10x8	24.0					

Color
Black or Blue

Case Size	Quantity Per Reel	
	13" Reel	15" Reel
4 x 5.5	1,500 pcs	2,000 pcs
5 x 5.5	1,000 pcs	1,000 pcs
6.3 x 5.5	1,000 pcs	1,000 pcs
6.3 x 8	500 pcs	900 pcs
8 X 10.5	300 pcs	500 pcs
10 x 8	400 pcs	500 pcs

