

1825621-1 ✓ ACTIVE

Alcoswitch | Alcoswitch FCR

TE Internal #: 1825621-1

Dress Nut, Round Product Shape, Silver, Alcoswitch FCR, Switch
Seals & Accessories

[View on TE.com >](#)



Switches > Switch Seals & Accessories



Switch Accessory Type: **Dress Nut**

Product Shape: **Round**

Primary Product Color: **Silver**

Features

Product Type Features

Switch Accessory Type	Dress Nut
Product Shape	Round

Body Features

Primary Product Plating Material	Nickel
Primary Product Color	Silver

Mechanical Attachment

Thread Size	1/4 – 40
-------------	----------

Product Compliance

[For compliance documentation, visit the product page on TE.com>](#)

EU RoHS Directive 2011/65/EU	Compliant with Exemptions
EU ELV Directive 2000/53/EC	Not Compliant
China RoHS 2 Directive MIIT Order No 32, 2016	Restricted Materials Above Threshold
EU REACH Regulation (EC) No. 1907/2006	Current ECHA Candidate List: JUNE 2024 (241) Candidate List Declared Against: JUNE 2024 (241) SVHC > Threshold: Pb (4% in Component Part) Article Safe Usage Statements: Do not eat, drink or smoke when using this product. Wash thoroughly after handling. Recycle if possible and dispose of the article by following all applicable governmental regulations relevant to your geographic location.
Halogen Content	Low Halogen - Br, Cl, F, I < 900 ppm per homogenous material. Also BFR/CFR/PVC Free

Solder Process Capability

Not applicable for solder process capability

Product Compliance Disclaimer

This information is provided based on reasonable inquiry of our suppliers and represents our current actual knowledge based on the information they provided. This information is subject to change. The part numbers that TE has identified as EU RoHS compliant have a maximum concentration of 0.1% by weight in homogenous materials for lead, hexavalent chromium, mercury, PBB, PBDE, DBP, BBP, DEHP, DIBP, and 0.01% for cadmium, or qualify for an exemption to these limits as defined in the Annexes of Directive 2011/65/EU (RoHS2). Finished electrical and electronic equipment products will be CE marked as required by Directive 2011/65/EU. Components may not be CE marked. Additionally, the part numbers that TE has identified as EU ELV compliant have a maximum concentration of 0.1% by weight in homogenous materials for lead, hexavalent chromium, and mercury, and 0.01% for cadmium, or qualify for an exemption to these limits as defined in the Annexes of Directive 2000/53/EC (ELV). Regarding the REACH Regulation, the information TE provides on SVHC in articles for this part number is based on the latest European Chemicals Agency (ECHA) 'Guidance on requirements for substances in articles' posted at this URL: <https://echa.europa.eu/guidance-documents/guidance-on-reach>

Also in the Series | Alcoswitch FCR



Switch Seals & Accessories(8)

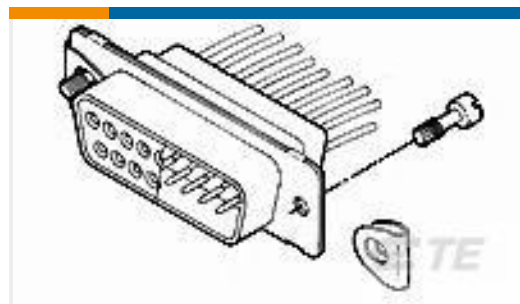
Customers Also Bought



TE Part #HD34-24-23ST
REC, 23P, AL, T, 16, S



TE Part #205564-2
AMPLIMITE,ASY,PLUG,STD,109,5



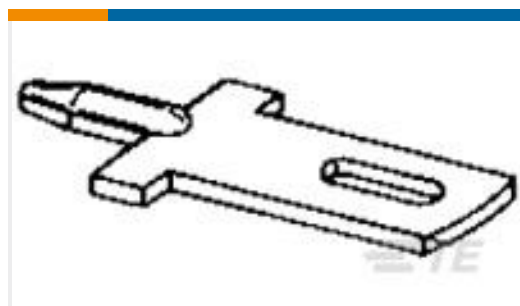
TE Part #5205980-1
SCREW RETAINER KIT



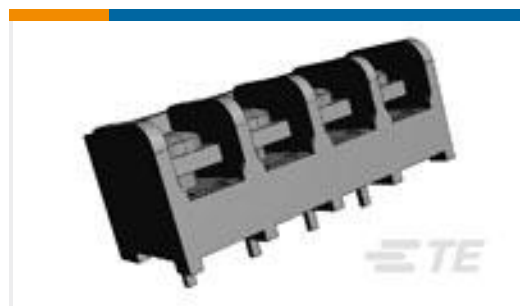
TE Part #356566-000
SO63-3-55-22-5



TE Part #34105
SOLIS R 22-16 COMM 22-18 MIL 6



TE Part #735187-2
110 FASTON TAB TPBR



TE Part #6-1437652-7
6PCV-04-006=6PCV ASSEMBLY



TE Part #4160-202-2031L
CONT PIN



TE Part #9-1617806-4
TD231-3002P=TDAR 3-30SEC M83726
/31-3002P



TE Part #TRAB24-49003P
OMNI,Ph,2400/4900MHz BK,3 dBi,
60W,

Documents

Product Drawings

[N304=Mounting Nut Decorative](#)

English

CAD Files

Customer View Model

[ENG_CVM_CVM_1825621-1_A.3d_igs.zip](#)

English

Customer View Model

[ENG_CVM_CVM_1825621-1_A.3d_stp.zip](#)

English

Customer View Model

[ENG_CVM_CVM_1825621-1_A.2d_dxf.zip](#)

English

3D PDF

3D

By downloading the CAD file I accept and agree to the [Terms and Conditions](#) of use.