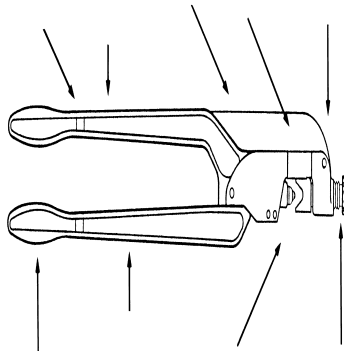




On Line Catalog



**BURNDY Catalog Number**  
**UPC Number**  
**Description**  
**Status**

MY28  
 7818104619522  
 CRIMPER, MECH, DIELESS 28  
 Active

**Web Use**  
 BURNDY Product Line

Width (in)  
 Length (in)  
 Height (in)

**Dimensional**

2  
 8  
 25.75

Weight lbs  
 Warranty  
 Product Description

**General**

8  
 5 Year Limited Warranty  
 Heavy Duty Forged Steel Crimping  
 Tool, 8 - 4/0 AWG, 22.65 in L

ROHS Compatible  
 CULUS

**Approvals / Certifications**

Exempt  
 N

Covered Handles  
 Covered Head  
 Ratcheting  
 Dieless (Y/N)

**Physical**

N  
 Y  
 N  
 Y

**Documentation**

**For further technical assistance, please contact us**

**BURNDY LLC - USA**

47 East Industrial Park Drive  
 Manchester NH 03109

**BURNDY Technical Services**

47 East Industrial Park Drive  
 Manchester NH 03109

Hours: 8:00 AM - 5:00 PM  
 Monday - Friday  
 Phone: 800-346-4175