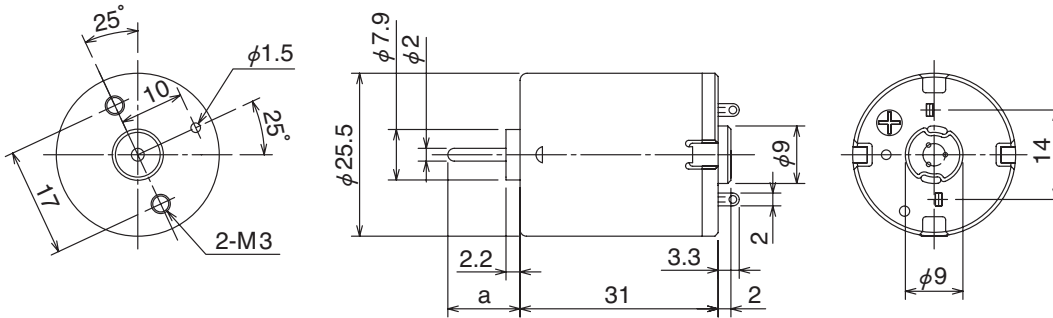


## Outline UNIT:mm



Weight:52.0g



## Specifications

Model	Operating Voltage (V)	Rated Voltage (V)	No Load Speed ( $\text{min}^{-1}$ )	No Load Current (mA)	Rated Load		Rated Load Speed ( $\text{min}^{-1}$ )	Rated Load Current (mA)	Starting Torque		Starting Current (mA)	Shaft Length (mm)
					( $\text{gf}\cdot\text{cm}$ )	( $\text{mN}\cdot\text{m}$ )			( $\text{gf}\cdot\text{cm}$ )	( $\text{mN}\cdot\text{m}$ )		
MXN13FB08B	6 to 9	8.0	5149	48	10.0	0.98	4714	122	118.3	11.59	932	$a=11.3$
MXN13FB12F	8 to 15	12.0	5186	33	30.0	2.94	4093	175	142.3	13.95	706	$a=11.3$

## Characteristics

