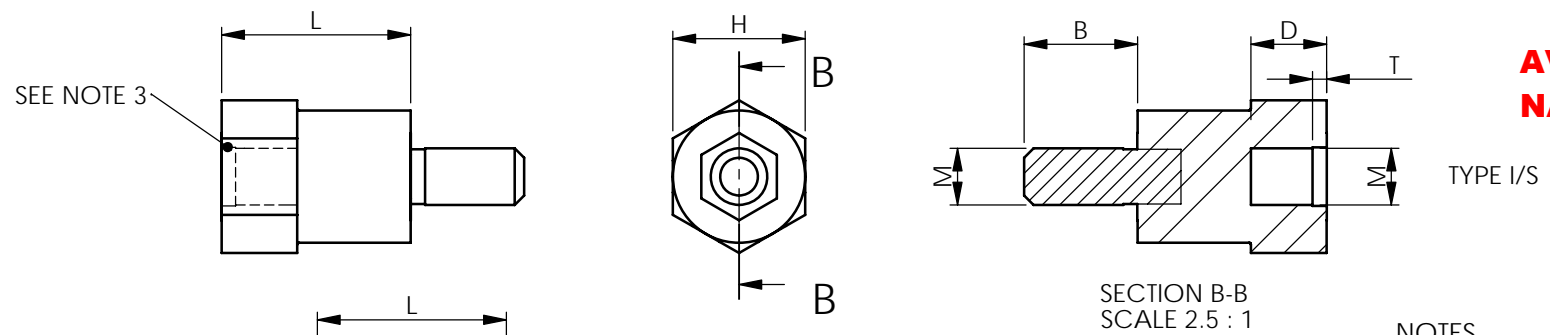
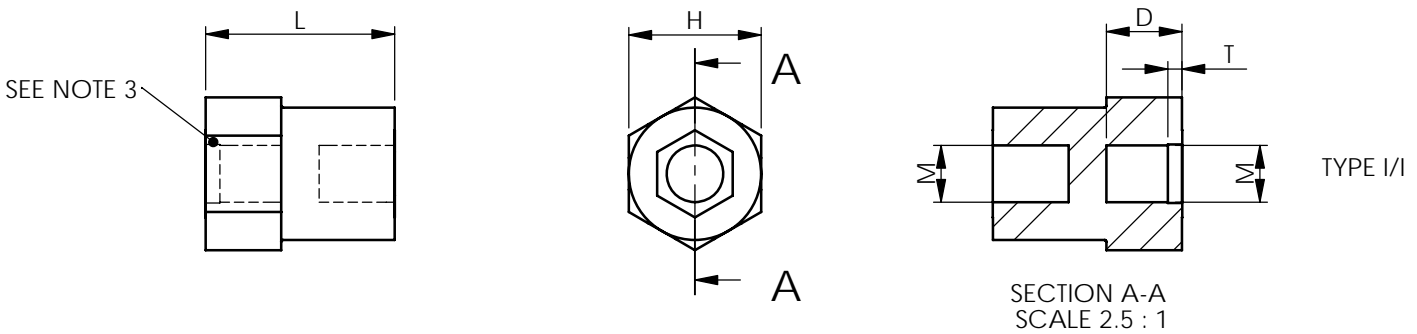
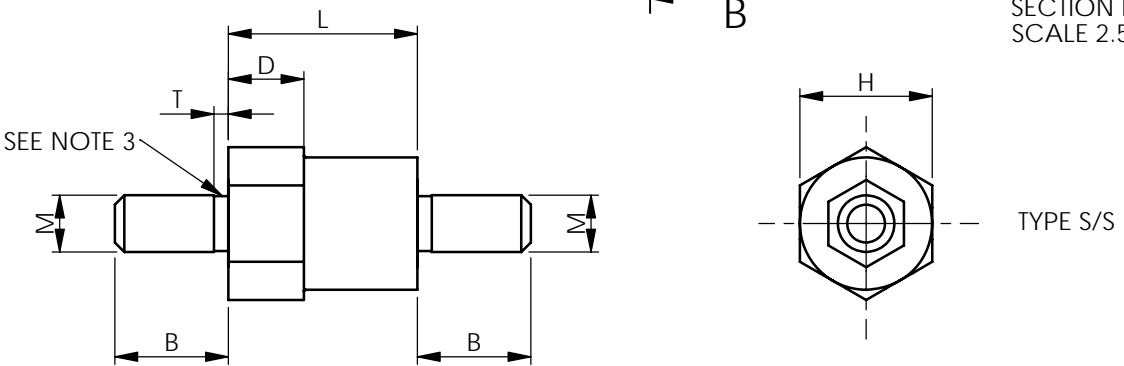


REV.	MODIFICATION.	DATE	DRN
01	NEW DRAWING	28/06/01	KD
02	SCN2001-124	05/12/01	KD
03	SCN2002-015	08/02/02	KD
04	ECN2005-076	28/06/05	OW
05	ECN2005-092	30/08/05	TC
06	ECN2006-027	17/03/06	OW
07	ECN2007-031	08/02/07	SF
08	ECN2007-040	14/02/07	OW
09	ECN2007-046	15/02/07	SF
10	ECN2007-197	14/11/07	SF



AVAILABLE BY SPECIAL ORDER - NAFTA REGION ONLY



- NOTES**
- 1) METRIC PRIMARY UNITS: mm
IMPERIAL SECONDARY UNITS: [inches]
 - 2) INSERT & STUD MATERIAL = BRASS(RMS-231) - NICKEL PLATING (RMS-229)
BODY MATERIAL = NYLON 6 - WHITE (RMS-133)
(Parts available in UL94-V0 material by special order)
 - 3) UNTHREADED LENGTH = 1.5 PITCH MAX
 - 4) ALL MATERIALS TO COMPLY TO RESTRICTION OF HAZARDOUS SUBSTANCES (RoHS) EUROPEAN UNION DIRECTIVE

INFORMATION CONTAINED IN THIS DOCUMENT IS CONFIDENTIAL TO RICHCO INTERNATIONAL Co. Ltd. AND MAY NOT BE DISCLOSED OR REPRODUCED IN WHOLE OR PART WITHOUT THEIR WRITTEN CONSENT.

MTNSP-M3-7-L-I/I	M3	7.0 [.276]	-	4.0 [.158]	0.75 [.030]	9.0-12.0 [.354-.472] (1mm INCREMENTS)
MTNSP-M3-7-L-I/S	M3	7.0 [.276]	6.0 [.236]	4.0 [.158]	0.75 [.030]	7.0-12.0 [.276-.472] (1mm INCREMENTS)
MTNSP-M3-7-L-S/S	M3	7.0 [.276]	6.0 [.236]	-	-	4.0-12.0 [.158-.472] (1mm INCREMENTS)
MTNSP-M2.5-6-L-I/I	M2.5	6.0 [.236]	-	4.0 [.158]	0.68 [.027]	9.0-12.0 [.354-.472] (1mm INCREMENTS)
MTNSP-M2.5-6-L-I/S	M2.5	6.0 [.236]	6.0 [.236]	4.0 [.158]	0.68 [.027]	7.0-12.0 [.276-.472] (1mm INCREMENTS)
MTNSP-M2.5-6-L-S/S	M2.5	6.0 [.236]	6.0 [.236]	-	-	4.0-12.0 [.158-.472] (1mm INCREMENTS)
DESCRIPTION	M	H	B	D	T	LENGTH

GENERAL TOLERANCES ±0.25 [0.010] UNLESS OTHERWISE STATED
1 DECIMAL PLACE ±
2 DECIMAL PLACES ±
ANGULAR ±1°

THIRD ANGLE

MATERIAL: SEE NOTE 2 COLOUR: SEE NOTE 2

DESCRIPTION: MTNSP-MX-H-L-TYPE PART No: SEE TABLE

DRG No: 3060070 NPR No: N/A SHEET SIZE: A4

DRN	DATE	CHKD	DATE	SCALE	SHEET No.
OW	28/06/05	NBr	28/06/05	NTS	1 OF 1