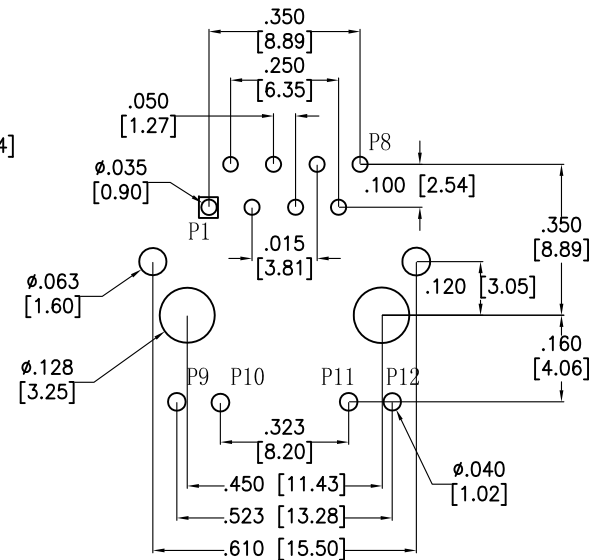
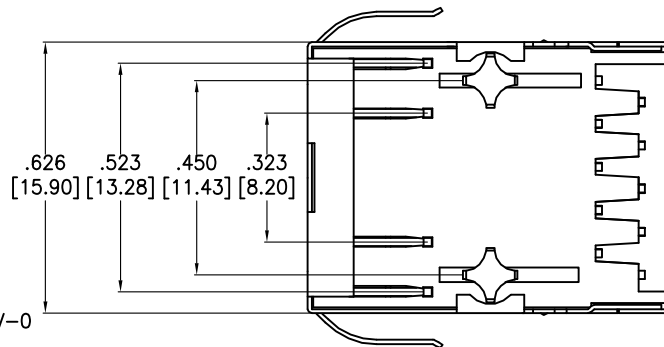
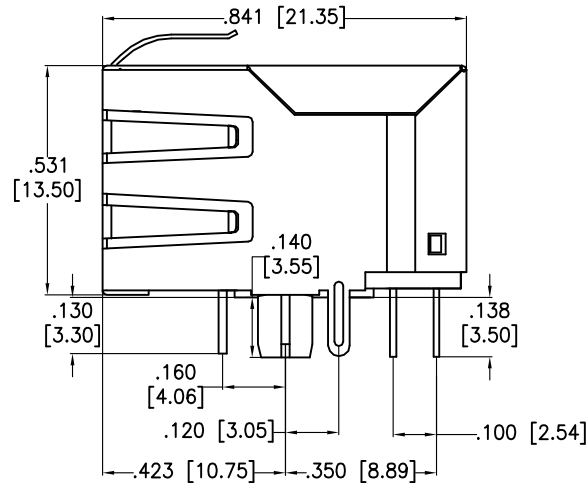
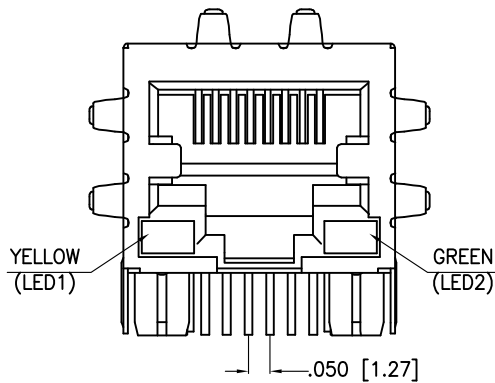


APPROVED: \_\_\_\_\_  
 DATE: \_\_\_\_\_ TITLE: \_\_\_\_\_

Rev	AWO #	Description	Date	Appr
-		RELEASED	6/14/10	
A		REVISED SPEC.	7/7/11	
B		REVISED SPEC.	7/31/14	HR/SY



RECOMMENDED PCB LAYOUT

SPECIFICATIONS:  
 Material:  
 Insulator: PBT, glass reinforced, rated UL 94V-0  
 Insulator color: Black  
 Contacts: Copper Alloy  
 Shield: Copper Alloy, Nickel plated

Plating:  
 Round contact  
 Gold over Nickel underplate overall  
 Flat contact  
 Gold over Nickel underplate on contact area,  
 Tin over Nickel underplate on solder tails  
 (See chart for thickness)

X	PLATING
0	15 µin Gold
1	30 µin Gold
2	50 µin Gold

Electrical:  
 Operating voltage: 150 VAC max  
 Contact Resistance: 20 mohms max  
 Insulation resistance: 500 Mohms min  
 Dielectric withstanding voltage: 1500 VAC for 1 minute  
 Temperature Rating:  
 Operating temperature: 0°C to +70°C  
 Environmental:  
 Lead free, RoHS compliant.



UNLESS OTHERWISE SPECIFIED  
 ALL DIMENSIONS ARE INCHES [MM]  
 TOLERANCES: EXCEPT AS NOTED  
 INCHES HOLES

.X ± .10	∅X ± .10
.XX ± .020	∅XX ± .015
.XXX ± .015	∅XXX ± .010

APPROVALS		DATE
DRAWN	DY	6/14/10
CHECKED		
APPROVED		

**ADAM TECH**

909 Rahway Avenue, Union, NJ 07083  
 Phone: 908-687-5000 Fax: 908-687-5710

TITLE  
 MODULAR JACK GANGED, 1 PORT, 8P8C  
 W/ LED1 YELLOW, LED2 GREEN

SIZE	PART NO.	REV.
X	MTJ-88TX1-FSD-PG-LG-M4	B
REF: S00005C	SCALE: NTS	SHEET 1 OF 2

6

5

4

3

2

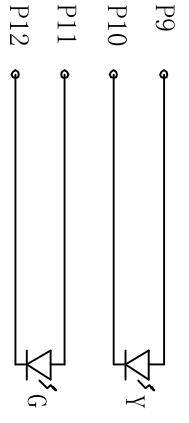
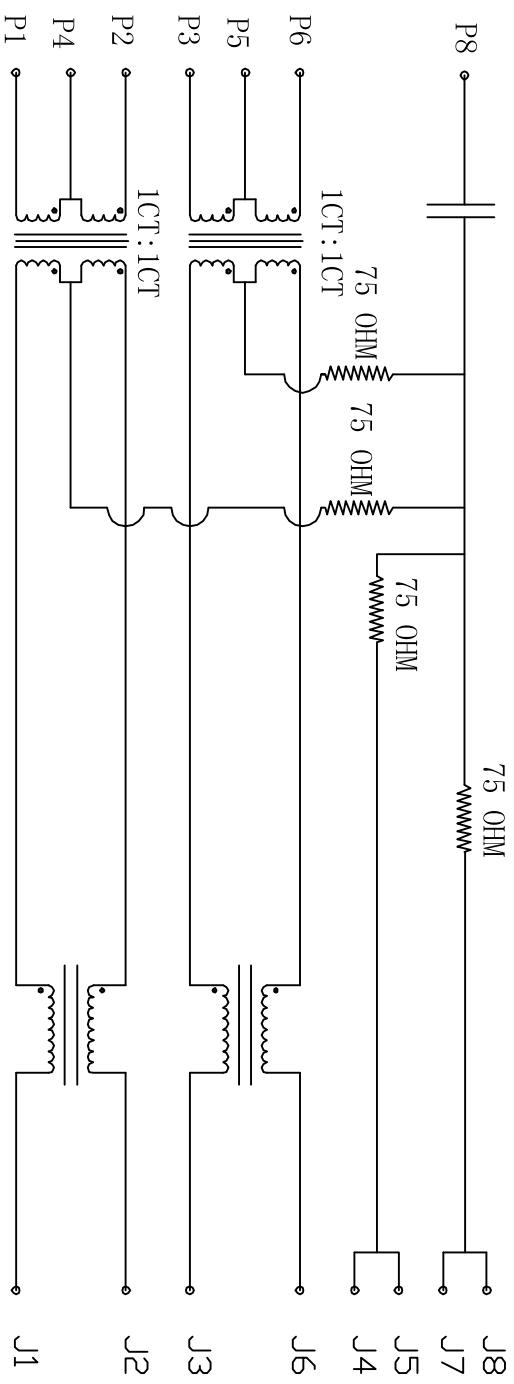
1

Rev	AWO #	Description	Date	Appr
		SEE SHT 1 OF 2 FOR REVISION		

APPROVED: \_\_\_\_\_

DATE: \_\_\_\_\_ TITLE: \_\_\_\_\_

CAP 1000pF 2KV



**ELECTRICAL SPECIFICATIONS:**

- Turns Ratio: (P1 ~ P2) : (J1 ~ J2) 1:1 ±3%  
(P3 ~ P6) : (J3 ~ J6) 1:1 ±3%
- Inductance: (P1 ~ P2) 350uH min. @ 0.1V, 100KHZ, 8mA DC Bias  
(P3 ~ P6) 350uH min. @ 0.1V, 100KHZ, 8mA DC Bias
- Leakage Inductance: P1 ~ P2 (with J1 and J2 Short): 0.35uH Max. @ 1 MHz  
P3 ~ P6 (with J3 and J6 Short): 0.35uH Max. @ 1 MHz
- Interwinding Capacitance: (P1 ~ P2) : (J1 ~ J2): 35pF max. @ 1 MHz  
(P3 ~ P6) : (J3 ~ J6) : 1.2 Ohms Max.
- DC Resistance: (J1 ~ J2):(J3 ~ J6) :1.2 Ohms Max.
- Return Loss: 1MHz to 30MHz: -18dB min  
30MHz to 60MHz: -(18-20log(f/30))dB min (WHERE f IS IN MHZ)  
60MHz to 80MHz:-12dB min
- Dielectric Withstanding: (P1~P3) : (J1~J2) :1500VAC OR 2250VDC  
(P4~P6) : (J3~J6) :1500VAC OR 2250VDC
- Insertion Loss: 100KHZ TO 100MHZ : -1.2dB Min.
- Cross Talk: 1MHZ to 100MHZ: -30dB Typ.
- Common to Common mode Attenuation 30MHZ to 100MHZ: -30dB Typ.

UNLESS OTHERWISE SPECIFIED  
ALL DIMENSIONS ARE INCHES [MM]  
TOLERANCES: EXCEPT AS NOTED  
INCHES HOLES

.X	± .10	Ø.X	± .10
.XX	± .020	Ø.XX	± .015
.XXX	± .015	Ø.XXX	± .010

APPROVALS

DRAWN	DY	DATE	6/14/10
CHECKED			
APPROVED			

**ADAM TECH**  
909 Ratway Avenue, Union, NJ 07083  
Phone: 908-687-5000 Fax: 908-687-5710

TITLE: MODULAR JACK GANGED, 1 PORT, 8P8C  
W/ LED1 YELLOW, LED 2 GREEN

SIZE	PART NO.	REV.
X	MTJ-88TX1-FSD-PG-LG-M4	B
REF: S0005C	SCALE: NTS	SHEET 2 OF 2

6

5

4

3

2

1