

6

5

4

3

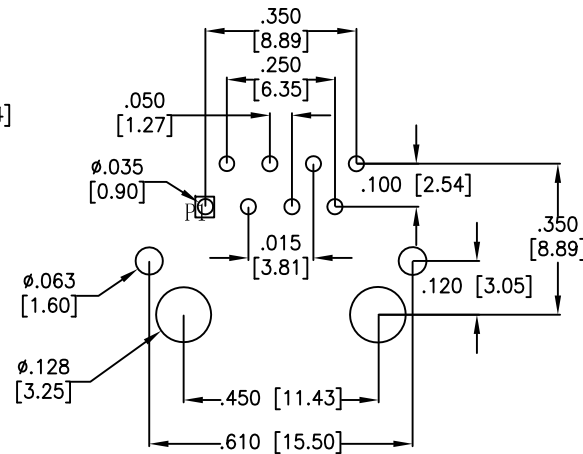
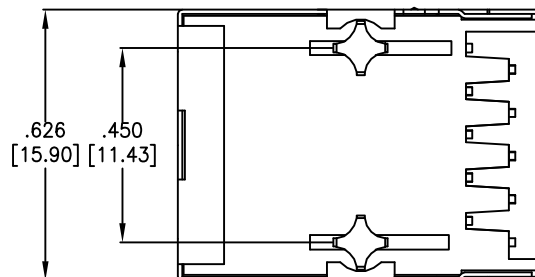
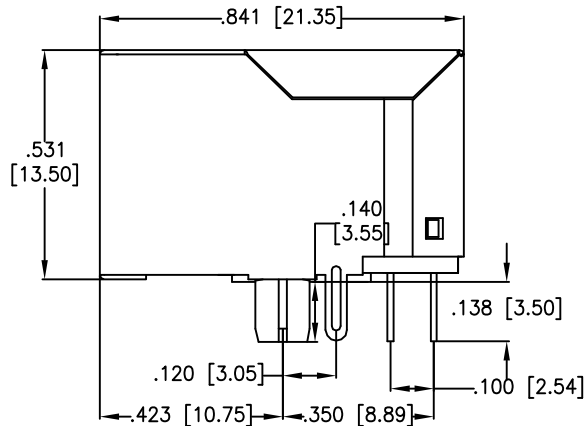
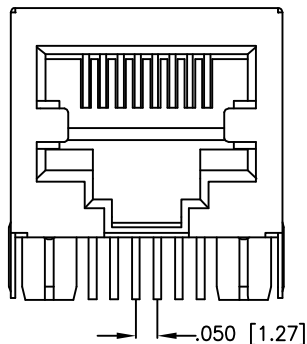
2

1

APPROVED: _____

DATE: _____ TITLE: _____

Rev	AWO #	Description	Date	Appr
-	10260	RELEASED	5/12/10	



RECOMMENDED PCB LAYOUT (COMPONENT SIDE)

SPECIFICATIONS:

Material:
 Insulator: PBT, glass reinforced, thermoplastic, rated UL 94V-0
 Insulator color: Black
 Contacts: Copper Alloy
 Shield: Copper Alloy, Nickel plated
 Plating:
 Round contact
 Gold over Nickel underplate overall
 Flat contact
 Gold over Nickel underplate on contact area,
 Tin over Nickel underplate on solder tails
 (See chart for thickness)

X	PLATING
0	15 μ in Gold
1	30 μ in Gold
2	50 μ in Gold

Electrical:
 Operating voltage: 150 VAC max
 Contact Resistance: 20 mohms max
 Insulation resistance: 500 Mohms min
 Dielectric withstanding voltage: 1,500VAC for 1 minute
 Temperature Rating:
 Operating temperature: -40°C to +125°C
 Environmental:
 Lead free, RoHS compliant.



UNLESS OTHERWISE SPECIFIED
 ALL DIMENSIONS ARE INCHES [MM]
 TOLERANCES: EXCEPT AS NOTED
 INCHES HOLES

.X	$\pm .10$	ϕ .X	$\pm .10$
.XX	$\pm .020$	ϕ .XX	$\pm .015$
.XXX	$\pm .015$	ϕ .XXX	$\pm .010$

ADAM TECH

909 Rahway Avenue, Union, NJ 07083
 Phone: 908-687-5000 Fax: 908-687-5710

TITLE
 MODULAR JACK GANGED, 1 PORT, 8P8C

APPROVALS		DATE
DRAWN	DY	5/12/10
CHECKED		
APPROVED		

SIZE	PART NO.	REV.
X	MTJ-88TX1-FSD-M4	-
REF: S00005C	SCALE: NTS	SHEET 1 OF 2

6

5

4

3

2

1

6

5

4

3

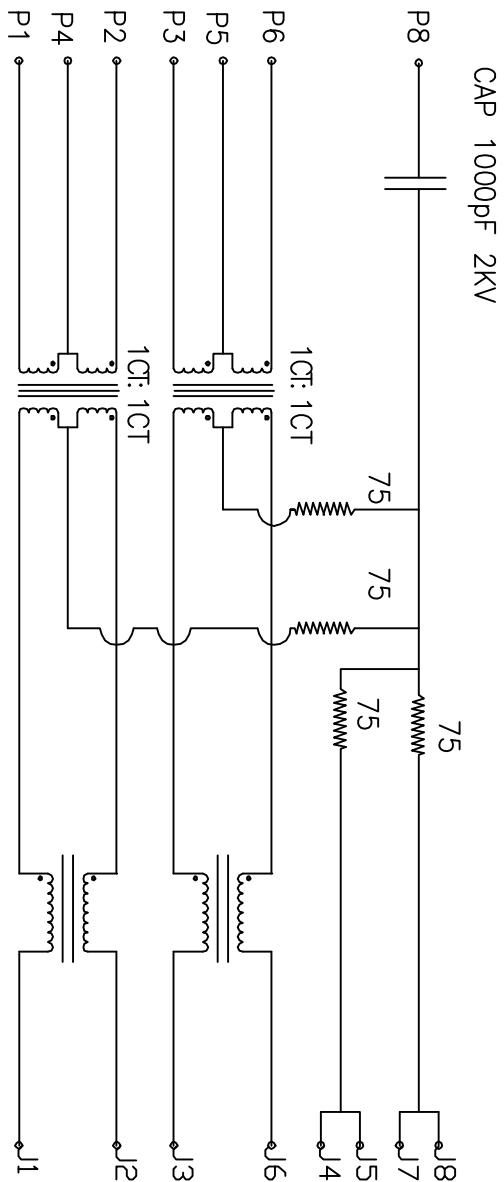
2

1

Rev	AWO #	Description	Date	Appr
		SEE SHT 1 OF 2 FOR REVISION		

APPROVED: _____

DATE: _____ TITLE: _____



ELECTRICAL SPECIFICATIONS:

- Turns Ratio: (P1 ~ P2) : (J1 ~ J2) 1:1 +/- -5%
- Primary Inductance: 350uH min. @ 0.1V, 100KHZ, 8mA DC Bias (P3 ~ P6) : (J3 ~ J6) 1:1 +/- -58%
- DC Resistance: (J1 ~ J2):(J3 ~ J6): 1.2 Ohms Max.
- Insertion Loss: -1.0dB Max, 1MHz-100MHz
- Return Loss: -18dB Max, 1MHz-29.9MHz, Load 1000OHM
-16dB Max, 30MHz-59.9MHz, Load 1000OHM
-12dB Max, 60MHz-80MHz, Load 1000OHM
- Cross Talk: 1-100MHz: 35dB Min.
- Common to Common mode Attenuation: 1-100MHz: -30dB Typ.
- Isolatio: PHY Side to Line Side: 1500VAC or 2250VDC

UNLESS OTHERWISE SPECIFIED
ALL DIMENSIONS ARE INCHES [MM]
TOLERANCES: EXCEPT AS NOTED
INCHES HOLES
.X ± .10 Ø.X ± .10
.XX ± .020 Ø.XXX ± .015
.XXX ± .015 Ø.XXX ± .010

ADAM TECH
909 Ratway Avenue, Union, NJ 07083
Phone: 908-687-5000 Fax: 908-687-5710

TITLE: MODULAR JACK GANGED, 1 PORT, 8P8C

DRAWN	DY	DATE	5/12/10
CHECKED			
APPROVED			
SIZE	PART NO.	REV.	
X	MTJ-88TX1-FSD-M4		
REF:	S0006C	SCALE:	NTS
		SHEET	2 OF 2

6

5

4

3

2

1