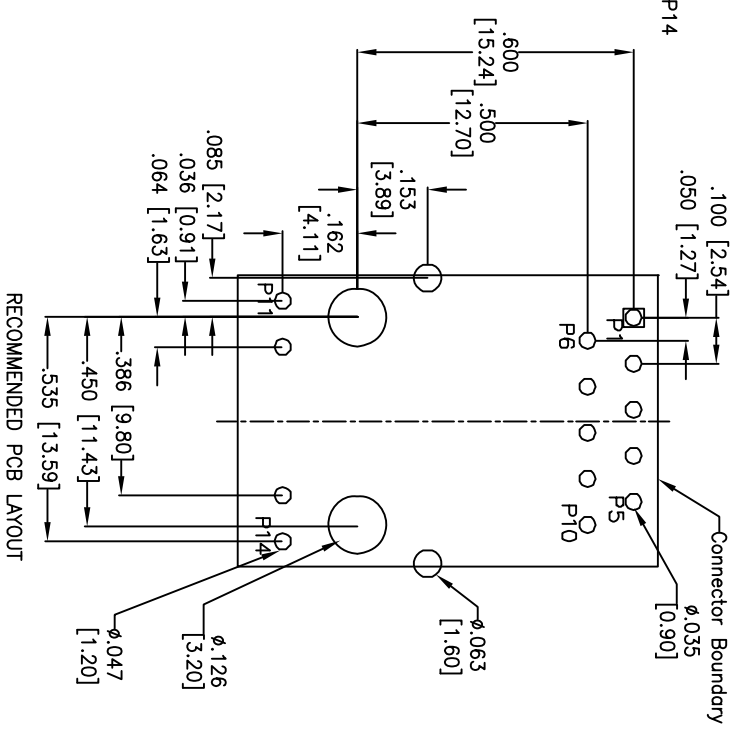
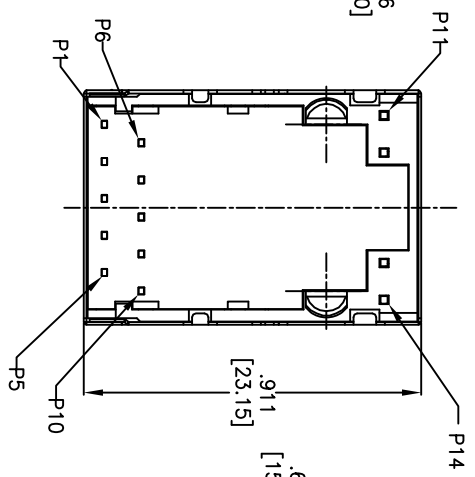
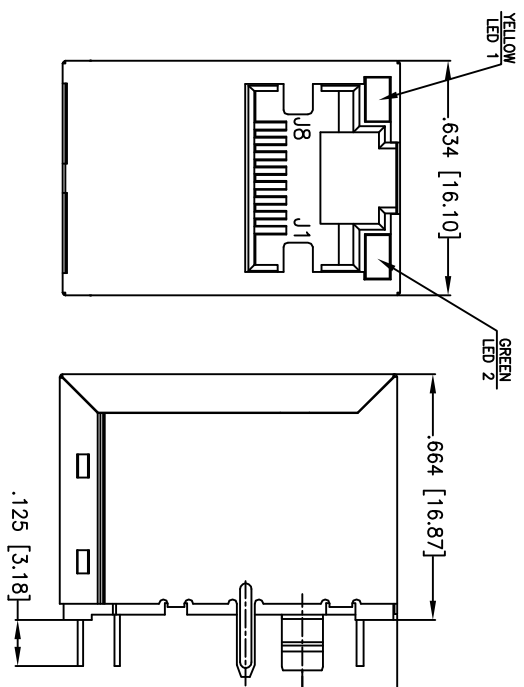


Rev	AWO #	Description	Date	Appr
-		RELEASED	8/15/11	

APPROVED: _____
 DATE: _____ TITLE: _____



SPECIFICATIONS:

Material: Thermoplastic PBT, rated UL 94V-0
 Insulator color: Black
 Contacts: Copper Alloy
 Shield: Brass, Nickel plated
 Contact Plating:
 Gold Flash over Nickel underplate on contact area,
 Tin over Copper underplate on tails
 (See chart for thickness).
 Electrical:
 Operating voltage: 150 VAC max
 Current rating: 1.5 Amps max
 Contact Resistance: 20 Mohms max. initial
 Insulation resistance: 500 Mohms min @ 500 VDC
 Dielectric withstanding voltage: 2250 VDC for 1 minute
 Temperature Rating:
 Operating temperature: 0°C to +70°C
 Environmental:
 Lead free, RoHS compliant.

X	PLATING
0	15 µin Gold
1	30 µin Gold
2	50 µin Gold

UNLESS OTHERWISE SPECIFIED
 ALL DIMENSIONS ARE INCHES [MM]
 TOLERANCES: EXCEPT AS NOTED
 INCHES HOLES
 .X ± .10 Ø.X ± .10
 .XX ± .020 Ø.XXX ± .015
 .XXX ± .015 Ø.XXXX ± .010

ADAM TECH

909 Ratway Avenue, Union, NJ 07083
 Phone: 908-687-5000 Fax: 908-687-5710

TITLE: MODULAR JACK GANGED, 1 PORT, 8P8C
 W/LED1 YELLOW, LED2 GREEN

DRAWN	AY	8/15/11	SIZE	PART NO.	REV.
CHECKED	NP	8/15/11	X	MTJ-88TVX1-FSJ-LG-M149	
APPROVED			REF:	S00005C	



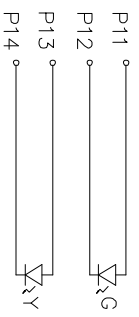
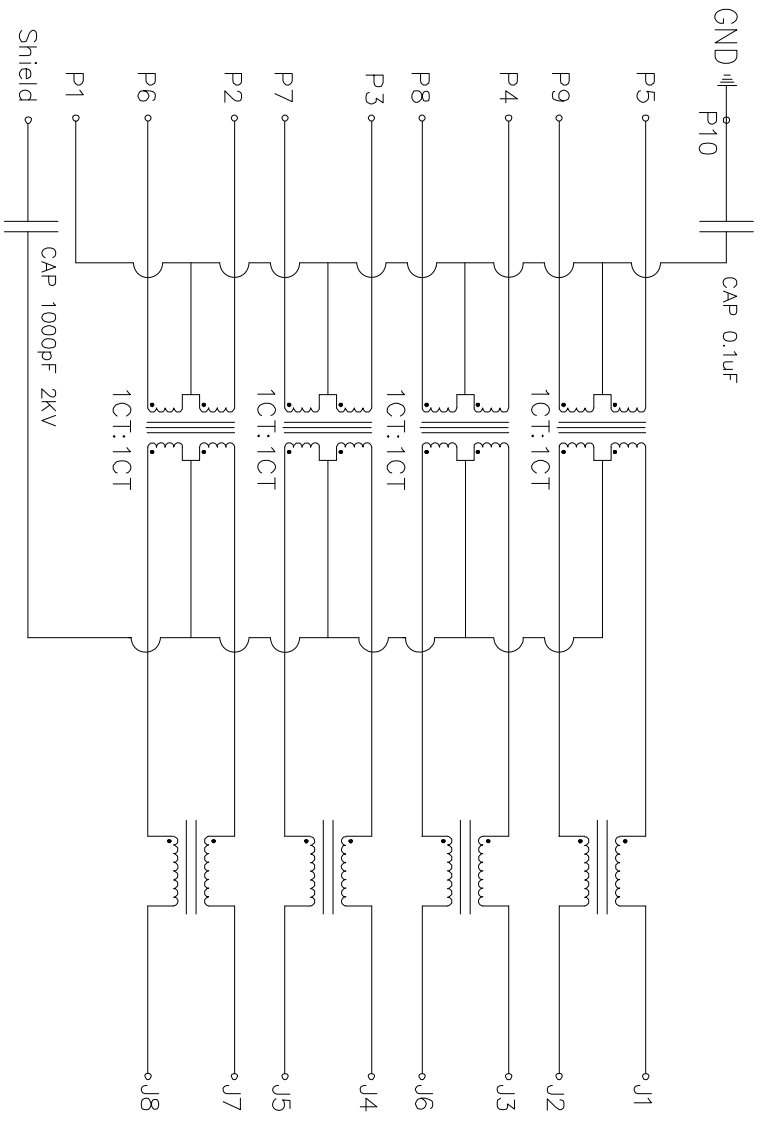
Rev	AWO #	Description	Date	Appr
		SEE SHT 1 OF 2 FOR REVISION		

DATE: _____

TITLE: _____

APPROVED: _____

D



Pin	Green	Yellow
P11	+	+
P12	-	-
P13	-	-
P14	-	-

ELECTRICAL CHARACTERISTICS

- Turn Ratio @100KHz: (P5~P9):(J1~J2)=1:1±5%
(P4~P8):(J3~J6)=1:1±5%
(P3~P7):(J4~J5)=1:1±5%
(P2~P6):(J7~J8)=1:1±5%
- Primary Inductance: 350uH Min. @100KHz, 0.1Vrms, 8mA DC BIAS
- DC Resistance: 1.2 Ohms Max.
- Insertion Loss: 1~100MHz : -1.0dB Min.
100~125MHz : -1.2dB Max
- Return Loss: 1~40MHz: -16dB Max
40~60MHz: -12dB Max
60~80MHz: -10dB Max
80~100MHz: -8dB Max

- Cross Talk: 1~100MHz: -30dB Max.
- Common to Common mode Attenuation: 1~100MHz: -30dB Min.
- Isolation: PHY Side to Line Side : 2250VDC

ADAM TECH

909 Ratway Avenue, Union, NJ 07083
 Phone: 908-687-5000 Fax: 908-687-5710

TITLE: MODULAR JACK GANGED, 1 PORT, 8P8C
 W/LED1 YELLOW, LED2 GREEN

UNLESS OTHERWISE SPECIFIED ALL DIMENSIONS ARE INCHES [MM] TOLERANCES: EXCEPT AS NOTED INCHES .X ±.10 Ø.X ±.10 .XX ±.020 Ø.XXX ±.015 .XXX ±.015 Ø.XXXX ±.010	HOLES ±.10 ±.015	DATE 8/15/11	SIZE PART NO. MTJ-88TVX1-FSJ-LG-M149	REV. -
DRAWN AY	8/15/11	CHECKED NP	8/15/11	
APPROVED		REF: S0003C	SCALE: NTS	SHEET 2 OF 2