



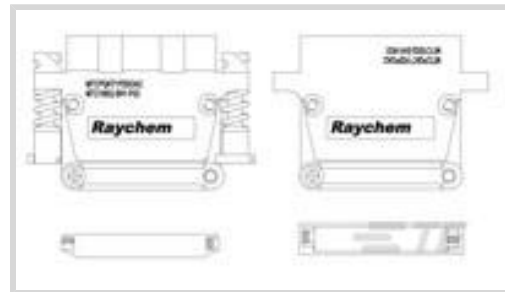
RAYCHEM

TE Internal #: F02634-000

Standard Rectangular Connectors, Housing Kit, Receptacle, Mating Alignment, Keyed Mating Alignment Type, Mating Retention, Crimp, Wire-to-Wire

[View on TE.com >](#)

Connectors > Rectangular Connectors > Standard Rectangular Connectors



Connector Product Type: **Housing Kit**

Connector & Housing Type: **Receptacle**

Mating Alignment: **With**

Mating Alignment Type: **Keyed**

Mating Retention: **With**

Features

Product Type Features

Connector Shell Size	02
Connector Product Type	Housing Kit
Connector & Housing Type	Receptacle
Connector System	Wire-to-Wire
Sealable	Yes
Connector & Contact Terminates To	Wire & Cable

Configuration Features

PCB Mount Orientation	Vertical
Number of Positions	40
Number of Rows	2

Electrical Characteristics

Operating Voltage	1500 VAC
-------------------	----------

Body Features

Shell Plating Material	Nickel
Connector & Keying Code	AB

Contact Features

Contact Type	Socket
Wire Contact Termination Area Plating Material	Gold



Contact Mating Area Plating Material	Gold
--------------------------------------	------

Contact Retention Within Housing	With
----------------------------------	------

Contact Current Rating (Max)	5 A
------------------------------	-----

Termination Features

Termination Method to Wire & Cable	Crimp
------------------------------------	-------

Mechanical Attachment

Mating Alignment	With
------------------	------

Mating Alignment Type	Keyed
-----------------------	-------

Mating Retention	With
------------------	------

Mating Retention Type	Jackscrew
-----------------------	-----------

Connector Mounting Type	Cable Mount (Free-Hanging)
-------------------------	----------------------------

Housing Features

	.099 in
--	---------

Dimensions

Row-to-Row Spacing	2.54 mm [.1 in]
--------------------	-----------------

Usage Conditions

Operating Temperature Range	-65 – 125 °C [-85 – 257 °F]
-----------------------------	-----------------------------

Operation/Application

Shielded	Yes
----------	-----

Circuit Application	Power & Signal
---------------------	----------------

Industry Standards

UL Flammability Rating	UL 94V-0
------------------------	----------

Product Compliance

[For compliance documentation, visit the product page on TE.com>](#)

EU RoHS Directive 2011/65/EU	Compliant
------------------------------	-----------

EU ELV Directive 2000/53/EC	Compliant
-----------------------------	-----------

China RoHS 2 Directive MIIT Order No 32, 2016	No Restricted Materials Above Threshold
---	---

EU REACH Regulation (EC) No. 1907/2006	Current ECHA Candidate List: JUNE 2023 (235) Candidate List Declared Against: JUNE 2023 (235) SVHC > Threshold: Pb (3.7% in Component Part)
--	--

Red 104 (15% in Component Part)

Article Safe Usage Statements:

Do not eat, drink or smoke when using this product. Wash thoroughly after handling. Recycle if possible and dispose of the article by following all applicable governmental regulations relevant to your geographic location.

Halogen Content

Not Yet Reviewed for halogen content

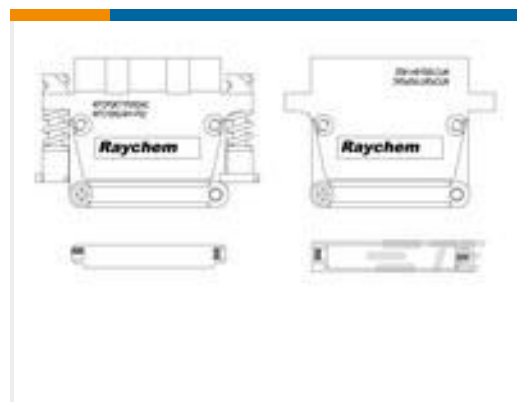
Solder Process Capability

Not applicable for solder process capability

Product Compliance Disclaimer

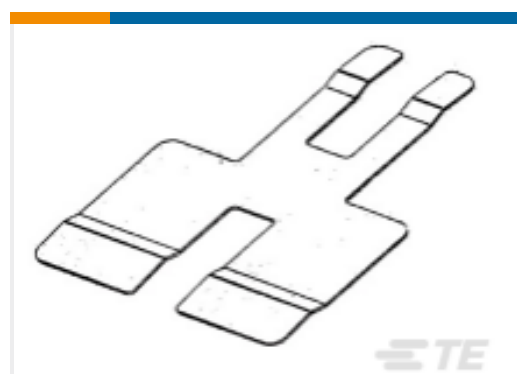
This information is provided based on reasonable inquiry of our suppliers and represents our current actual knowledge based on the information they provided. This information is subject to change. The part numbers that TE has identified as EU RoHS compliant have a maximum concentration of 0.1% by weight in homogenous materials for lead, hexavalent chromium, mercury, PBB, PBDE, DBP, BBP, DEHP, DIBP, and 0.01% for cadmium, or qualify for an exemption to these limits as defined in the Annexes of Directive 2011/65/EU (RoHS2). Finished electrical and electronic equipment products will be CE marked as required by Directive 2011/65/EU. Components may not be CE marked. Additionally, the part numbers that TE has identified as EU ELV compliant have a maximum concentration of 0.1% by weight in homogenous materials for lead, hexavalent chromium, and mercury, and 0.01% for cadmium, or qualify for an exemption to these limits as defined in the Annexes of Directive 2000/53/EC (ELV). Regarding the REACH Regulation, the information TE provides on SVHC in articles for this part number is based on the latest European Chemicals Agency (ECHA) 'Guidance on requirements for substances in articles' posted at this URL: <https://echa.europa.eu/guidance-documents/guidance-on-reach>

Compatible Parts

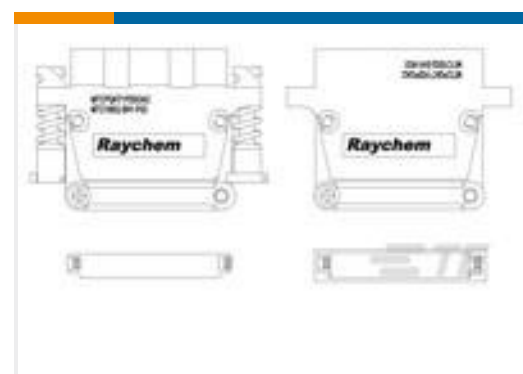


TE Part # C62740-000
MTCPOKT2P22SGAB

Customers Also Bought



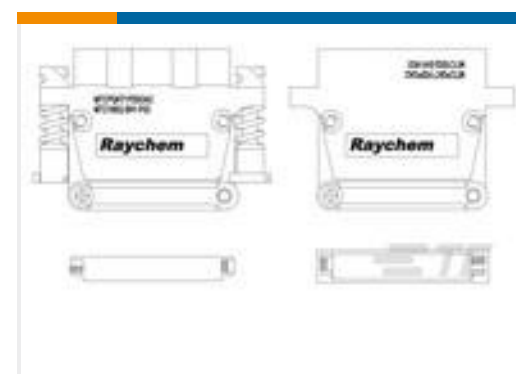
TE Part #211137-000
CTA-0161



TE Part #E98723-000
MTCPOKT1P2SGCC



TE Part #C25375-000
MTCPOKT2P22SGAD



TE Part #F90533-000
MTCPOKT2R22PGAD



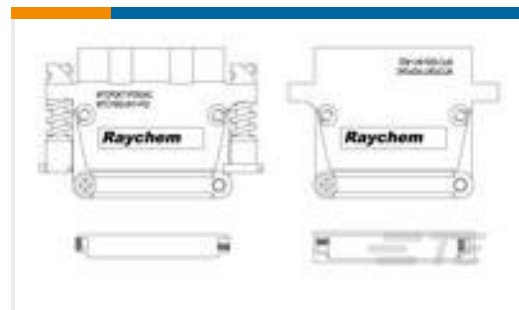
TE Part #599556-000
CWT-5



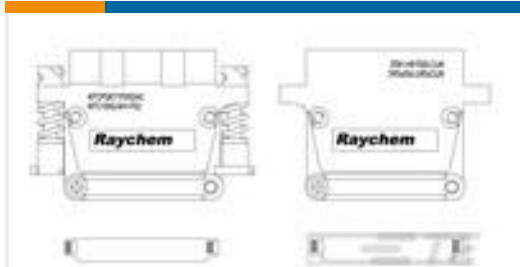
TE Part #226335-000
CTA-0166



TE Part #450213-000
CTA-0165



TE Part #C11175-000
MTCPOKT1P2SGDA



TE Part #C59728-000
MTCPOKT2P2SGAA



TE Part #EH0861-000
MTCPOKT1R2PGCC

Documents

Product Drawings

[MTCPOKT2R22PGAB](#)

English

CAD Files

[3D PDF](#)

3D

Customer View Model

[ENG_CVM_CVM_F02634-000_R.2d_dxf.zip](#)

English

Customer View Model

[ENG_CVM_CVM_F02634-000_R.3d_igs.zip](#)

English

Customer View Model

[ENG_CVM_CVM_F02634-000_R.3d_stp.zip](#)

English

By downloading the CAD file I accept and agree to the [Terms and Conditions](#) of use.

Product Specifications

[MTC Quick-Disconnect Connectors with Removable Contacts](#)

English