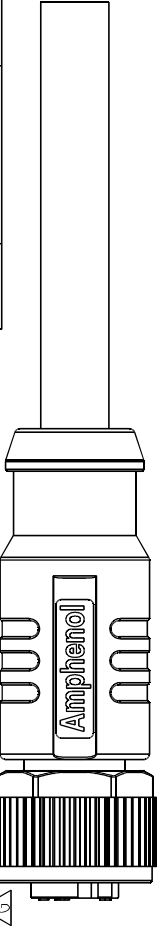
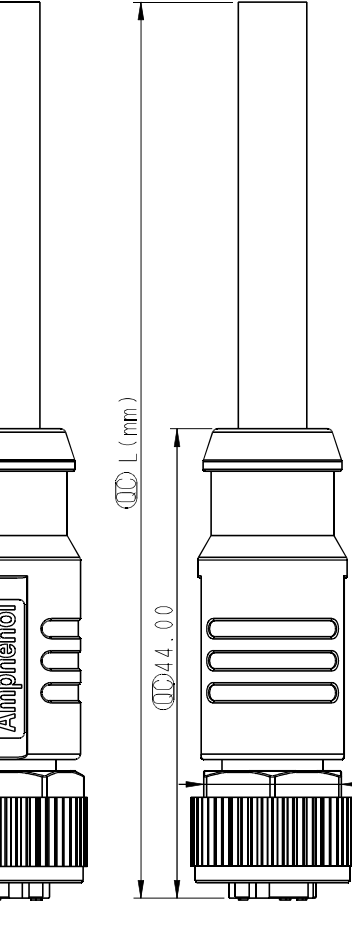
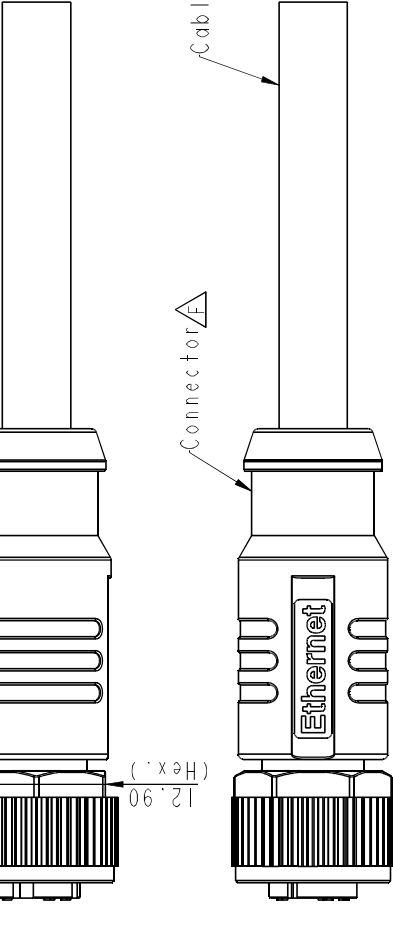
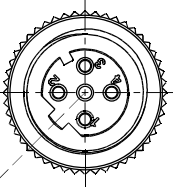


F																					
E																					
D																					
C																					
B		<table border="1"> <tr> <td>Shield</td> <td>Braid</td> </tr> <tr> <td>4</td> <td>Green</td> </tr> <tr> <td>2</td> <td>White/Green</td> </tr> <tr> <td>3</td> <td>Orange</td> </tr> <tr> <td>1</td> <td>White/Orange</td> </tr> <tr> <td>Connector</td> <td>Wire Color</td> </tr> <tr> <td colspan="2">Pin Out</td> </tr> </table>	Shield	Braid	4	Green	2	White/Green	3	Orange	1	White/Orange	Connector	Wire Color	Pin Out						
Shield	Braid																				
4	Green																				
2	White/Green																				
3	Orange																				
1	White/Orange																				
Connector	Wire Color																				
Pin Out																					
A	<p>UNIT: mm</p> <p>TOLERANCE: ±0.5mm</p>	<p>TITLE: N SEN, M12 D -SHLD, SCREW CABLE W/O SR, F, F, MOLDING</p> <p>SCALE: 3:2</p> <p>REV: G</p>	<p>Amphenol LTW</p> <p>安費諾亮泰企業股份有限公司</p>	<p>ITER NO</p> <p>DATE</p> <p>DATE</p> <p>DATE</p>	<p>DRN BY: Leon</p> <p>CREED BY: Wen</p> <p>APPROVED BY: Neo</p>	<p>2021/03/16</p> <p>2021/03/16</p> <p>2021/03/16</p>	<p>8</p>														

MSDS-XXBFFM-SL8EXX

XX: No. Of Pin

XX: 01~99Meters
 01: 01Meter
 02: 02Meters
 .
 99: 99Meters

Note:

- Important Dimension.
- Waterproof rate: IP68, mated 1m/24h, IP69K mated

Connector:

- Housing: Thermoplastic, Black.
- Pin: Copper Alloy, Gold Plated.
- Nut: Metal.
- Outer Mold: Thermoplastic, Black.
- Cable: CAT-5E, 24#2P+AL/MY+B+F, OD=6.4mm, TPU Jacket, Blue
- Cable Length Tolerance: 1M±50/-0 mm
 1M<L≤3M: +100/-0 mm
 3M<L≤5M: +150/-0 mm
 5M<L≤10M: ±100 mm
 10M<L≤20M: ±200 mm
 20M<L≤30M: ±300 mm
 30M<L≤99M: ±500 mm

Amphenol LTW

安費諾亮泰企業股份有限公司

ITER NO

DATE

DATE

DATE

DRN BY: Leon

CREED BY: Wen

APPROVED BY: Neo

MSDS-XXBFFM-SL8EXX

ALTW

2021/03/16

2021/03/16

2021/03/16

8