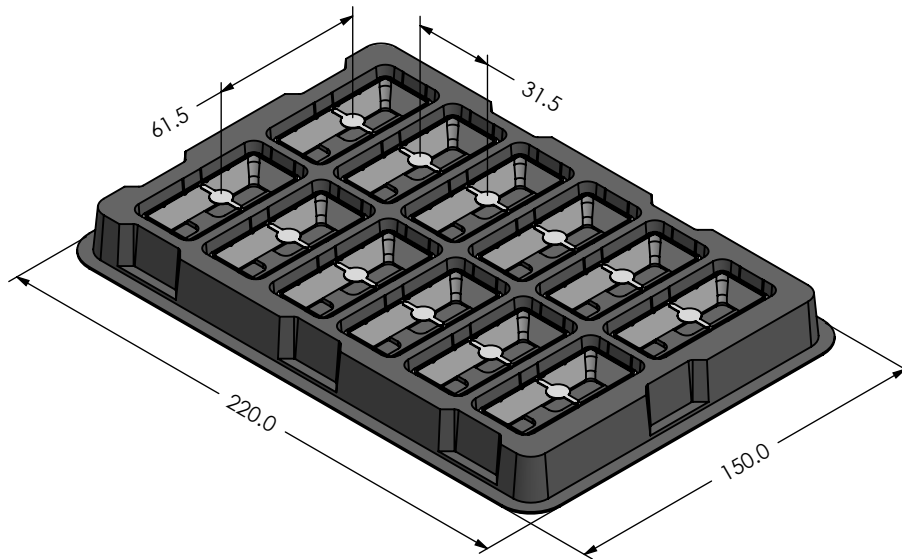


|   |                                 |   |   |
|---|---------------------------------|---|---|
|    | Item No:                        | Description:  | Material:   |
|   | <b>MS544-20</b>                 | <b>DRAWN EMI/RFI SHIELD (Two-Piece)</b>   | <b>TIN PLATED STEEL (See Note 1-2)</b>  |
| <p><b>NOTE.</b> (1) TS275E 8.4/8.4 (2) ELECTROLYTIC TIN PLATE AS PER EN 10202:2001 MIN TIN THICKNESS 3.5 UM<br/>(3) GENERAL TOLERANCE (+/-) 0.2MM NON DIMENSIONED ITEMS REMAIN MASACH TECH LTD. PROPERTY.</p> |                                 |   |   |
| <b>MASACH TECH LTD.</b><br>22 HAGANAN MODIIN 7169513 ISRAEL<br>T: (+972) 8 9754681 / F: (+972) 8 9754682<br>info@masach.com / www.masach.com  | <b>SEAMLESS PROTECTIVE CAGE</b> |   |  |
|   |                                 |   | MMGS / PRINT 1:1 / A4   |

This product has been designed and manufactured by Masach Tech Ltd. The use of this product in any type of electronic device or application is not under Masach Tech Ltd. liability.

## MS544-20 / SMD PACKING TRAY\*



\* Other packing options are available upon request

## OPTIONAL SHIELD CONFIGURATIONS

| RAW MATERIAL      | MS SET PN.   | MS PN.        | DESCRIPTION                       |
|-------------------|--------------|---------------|-----------------------------------|
| TIN PLATED STEEL* | MS544-20     | MS544-20C     | TWO-PIECE SHIELD COVER            |
|                   |              | MS544-20F     | TWO-PIECE SHIELD FRAME            |
|                   | MS544-20P    | MS544-20CP    | TWO-PIECE SHIELD COVER PERFORATED |
|                   |              | MS544-20F     | TWO-PIECE SHIELD FRAME            |
|                   |              | MS544-20S     | ONE-PIECE SHIELD                  |
| NICKEL SILVER**   | MS544-20-NS  | MS544-20C-NS  | TWO-PIECE SHIELD COVER            |
|                   |              | MS544-20F-NS  | TWO-PIECE SHIELD FRAME            |
|                   | MS544-20P-NS | MS544-20CP-NS | TWO-PIECE SHIELD COVER PERFORATED |
|                   |              | MS544-20F-NS  | TWO-PIECE SHIELD FRAME            |
|                   |              | MS544-20S-NS  | ONE-PIECE SHIELD                  |

\* TS275E8.4/8.4 EN 10202:2001

\*\* UNS C77000



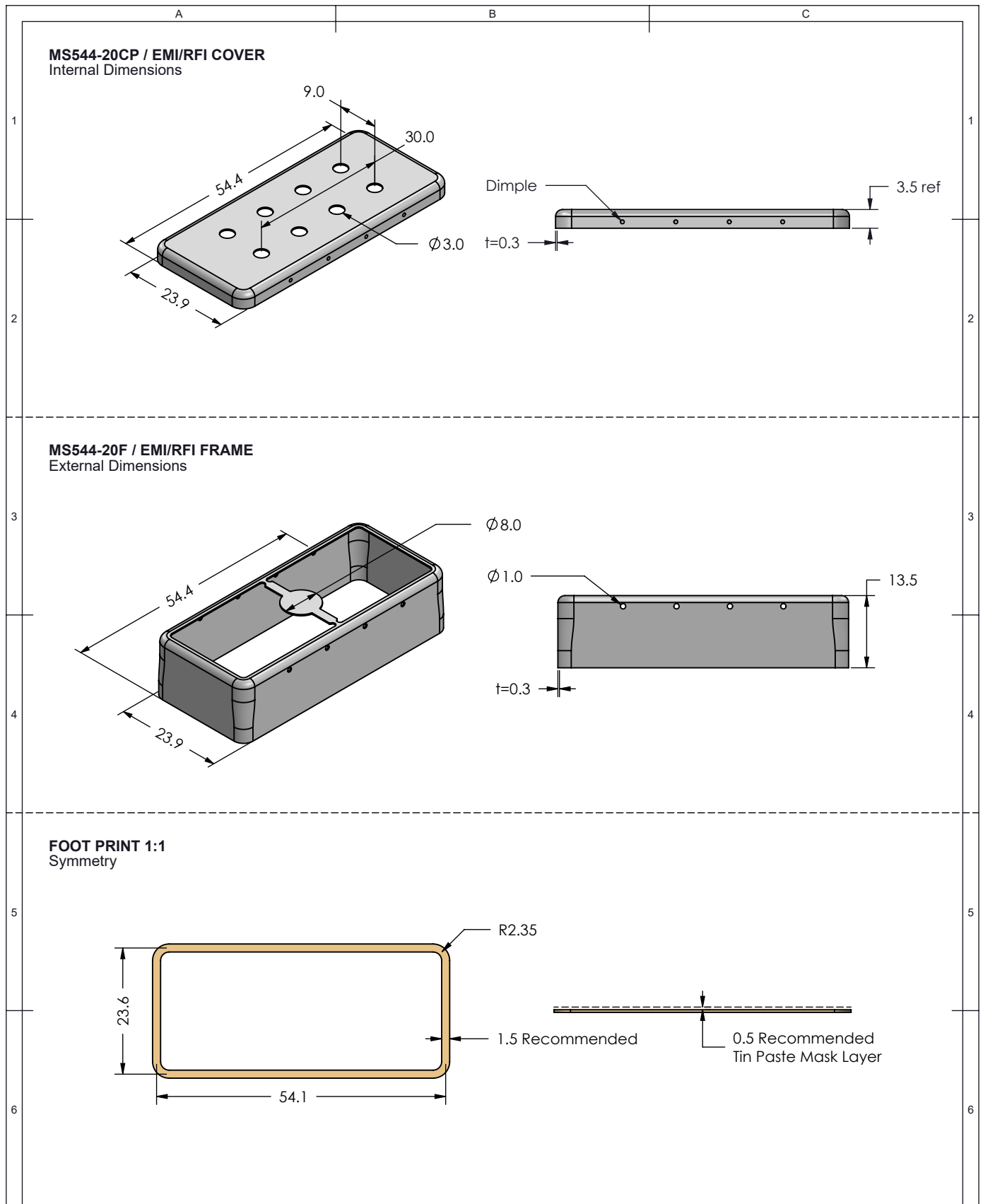
|          |              |           |
|----------|--------------|-----------|
| Item No: | Description: | Material: |
|          |              |           |

**MASACH TECH LTD.**  
 22 HAGANAN MODIIN 7169513 ISRAEL  
 T: (+972) 8 9754681 / F: (+972) 8 9754682  
 info@masach.com / www.masach.com

**SEAMLESS PROTECTIVE CAGE**

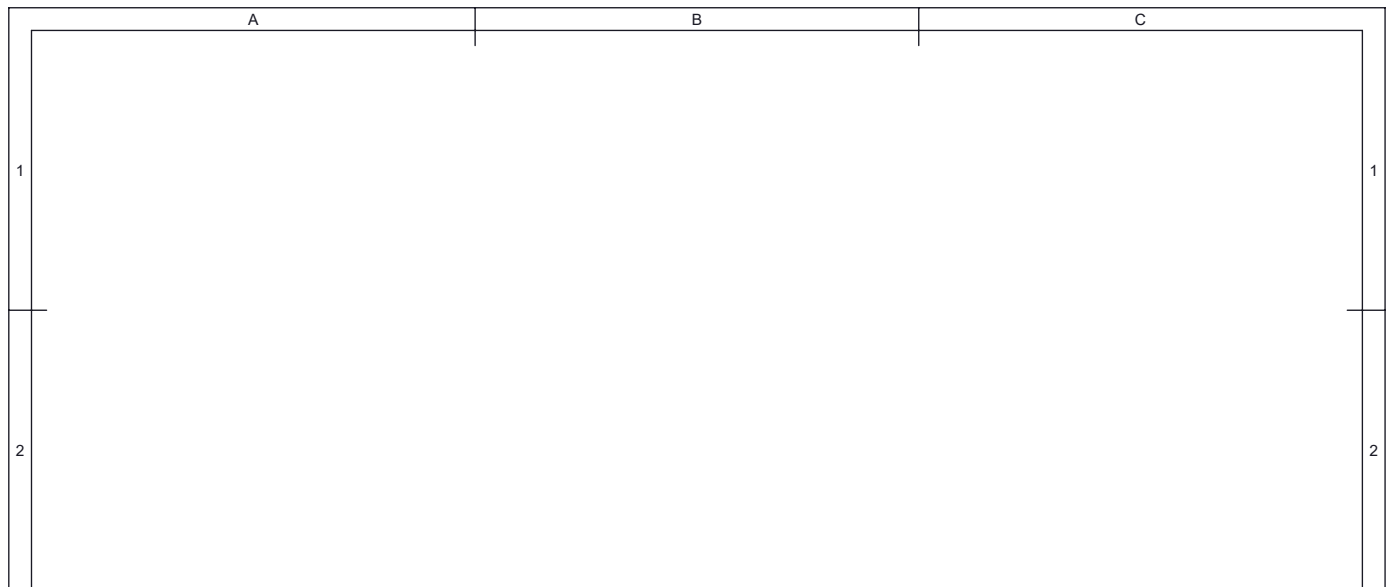


|                |       |
|----------------|-------|
| 1 inch         | 10 mm |
| PRINT 1:1 / A4 |       |

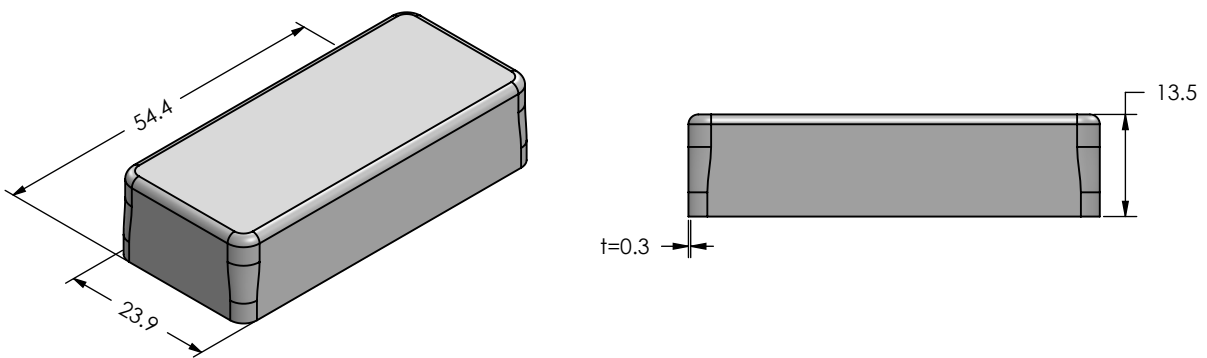


|  |   |   |  |
|--|---|---|--|
|   | Item No:  | Description:  | Material:  |
|  | <b>MS544-20P</b>  | <b>DRAWN EMI/RFI SHIELD (Two-Piece)</b>   | <b>TIN PLATED STEEL (See Note 1-2)</b>   |
|  | <b>NOTE.</b> (1) TS275E 8.4/8.4 (2) ELECTROLYTIC TIN PLATE AS PER EN 10202:2001 MIN TIN THICKNESS 3.5 UM<br>(3) GENERAL TOLERANCE (+/-) 0.2MM NON DIMENSIONED ITEMS REMAIN MASACH TECH LTD. PROPERTY. |   |  |
| <b>MASACH TECH LTD.</b><br>22 HAGANAN MODIIN 7169513 ISRAEL<br>T: (+972) 8 9754681 / F: (+972) 8 9754682<br>info@masach.com / www.masach.com | <b>SEAMLESS PROTECTIVE CAGE</b>   |   | <br>MMGS / PRINT 1:1 / A4 |

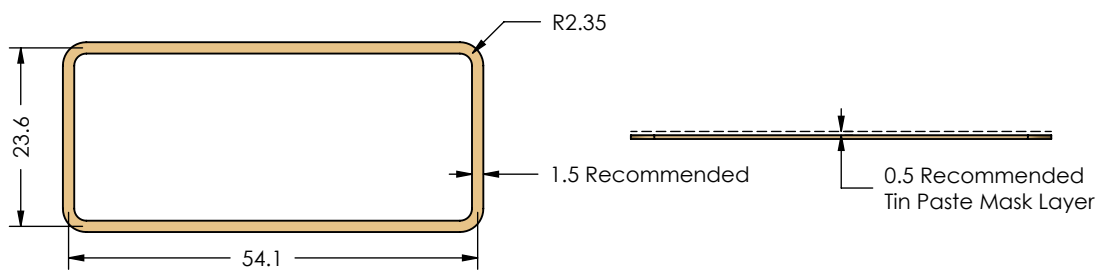
This product has been designed and manufactured by Masach Tech Ltd. The use of this product in any type of electronic device or application is not under Masach Tech Ltd. liability.







**MS544-20S / EMI/RFI SHIELD**  
External Dimensions



**FOOT PRINT 1:1**  
Symmetry



|   |  |   |   |
|---|--|---|---|
|    | Item No:                               | Description:  | Material:   |
|   | <b>MS544-20S</b>                       | <b>DRAWN EMI/RFI SHIELD (One-Piece)</b>   | <b>TIN PLATED STEEL (See Note 1-2)</b>  |
| <p><b>NOTE.</b> (1) TS275E 8.4/8.4 (2) ELECTROLYTIC TIN PLATE AS PER EN 10202:2001 MIN TIN THICKNESS 3.5 UM<br/>(3) GENERAL TOLERANCE (+/-) 0.2MM NON DIMENSIONED ITEMS REMAIN MASACH TECH LTD. PROPERTY.</p> |  |   |   |
| <p><b>MASACH TECH LTD.</b><br/>22 HAGANAN MODIIN 7169513 ISRAEL<br/>T: (+972) 8 9754681 / F: (+972) 8 9754682<br/>info@masach.com / www.masach.com</p>  | <p><b>SEAMLESS PROTECTIVE CAGE</b></p> |   |  |
|   |  |   | MMGS / PRINT 1:1 / A4   |