

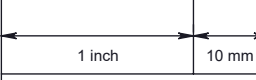
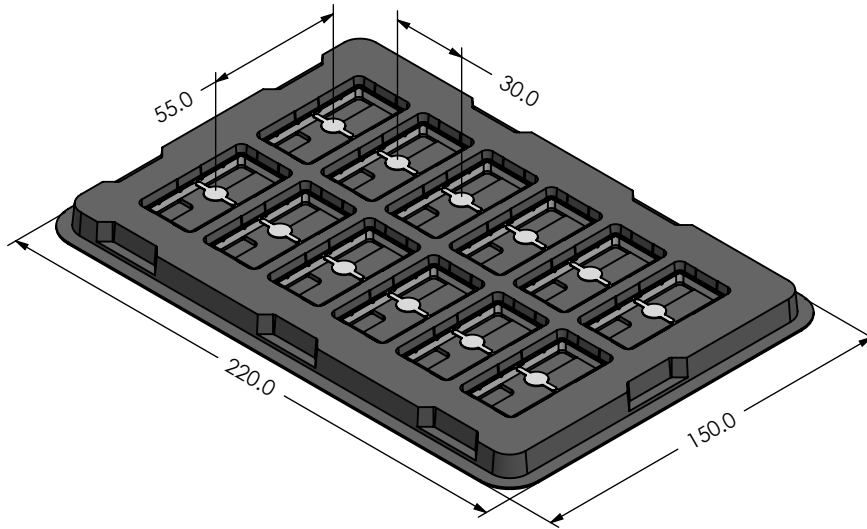


	Item No:	Description:	Material:
	MS473-10P	DRAWN EMI/RFI SHIELD (Two-Piece)	TIN PLATED STEEL (See Note 1-2)
	NOTE. (1) TS275E 8.4/8.4 (2) ELECTROLYTIC TIN PLATE AS PER EN 10202:2001 MIN TIN THICKNESS 3.5 UM (3) GENERAL TOLERANCE (+/-) 0.2MM NON DIMENSIONED ITEMS REMAIN MASACH TECH LTD. PROPERTY.		
MASACH TECH LTD. 22 HAGANAN MODIIN 7169513 ISRAEL T: (+972) 8 9754681 / F: (+972) 8 9754682 info@masach.com / www.masach.com	SEAMLESS PROTECTIVE CAGE	 	 MMGS / PRINT 1:1 / A4

This product has been designed and manufactured by Masach Tech Ltd. The use of this product in any type of electronic device or application is not under Masach Tech Ltd. liability.

MS473-10 / SMD PACKING TRAY*



* Other packing options are available upon request

OPTIONAL SHIELD CONFIGURATIONS

RAW MATERIAL	MS SET PN.	MS PN.	DESCRIPTION
TIN PLATED STEEL*	MS473-10	MS473-10C	TWO-PIECE SHIELD COVER
		MS473-10F	TWO-PIECE SHIELD FRAME
	MS473-10P	MS473-10CP	TWO-PIECE SHIELD COVER PERFORATED
		MS473-10F	TWO-PIECE SHIELD FRAME
		MS473-10S	ONE-PIECE SHIELD
NICKEL SILVER**	MS473-10-NS	MS473-10C-NS	TWO-PIECE SHIELD COVER
		MS473-10F-NS	TWO-PIECE SHIELD FRAME
	MS473-10P-NS	MS473-10CP-NS	TWO-PIECE SHIELD COVER PERFORATED
		MS473-10F-NS	TWO-PIECE SHIELD FRAME
		MS473-10S-NS	ONE-PIECE SHIELD

* TS275E8.4/8.4 EN 10202:2001

** UNS C77000



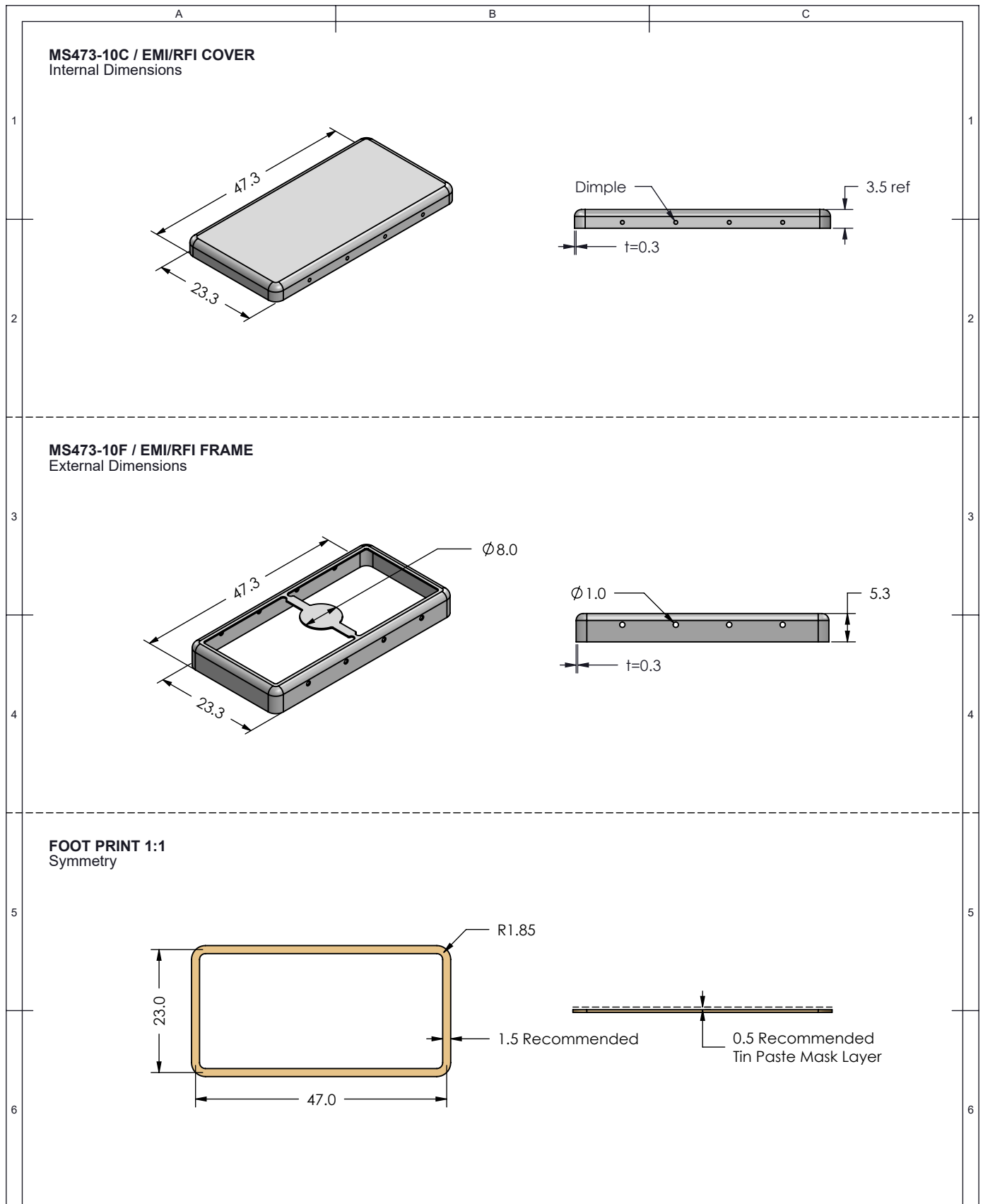
Item No:	Description:	Material:

MASACH TECH LTD.
22 HAGANAN MODIIN 7169513 ISRAEL
T: (+972) 8 9754681 / F: (+972) 8 9754682
info@masach.com / www.masach.com

SEAMLESS PROTECTIVE CAGE

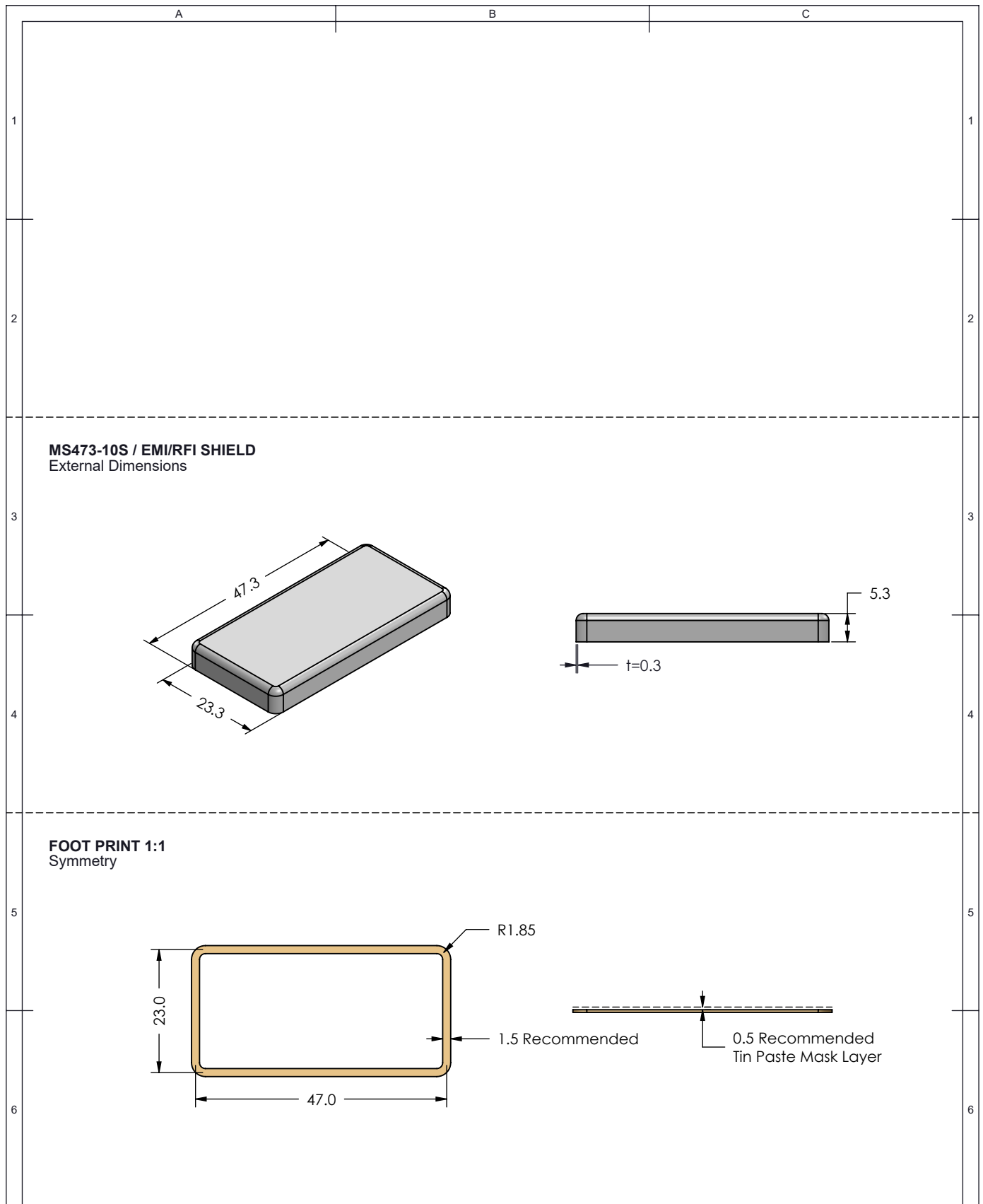


1 inch	10 mm
PRINT 1:1 / A4	

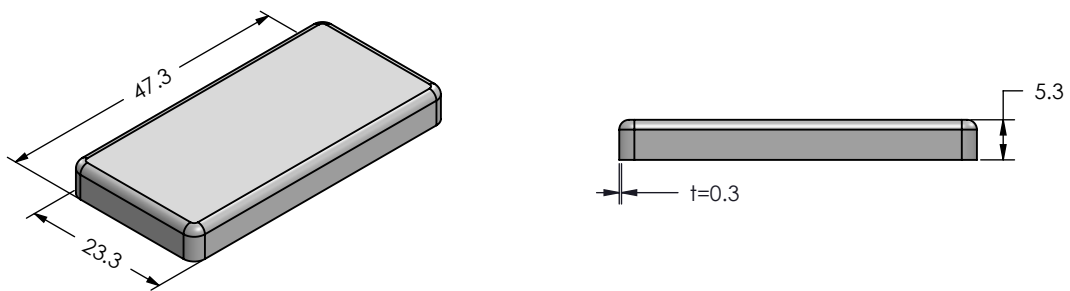


	Item No:	Description:	Material:
	MS473-10	DRAWN EMI/RFI SHIELD (Two-Piece)	TIN PLATED STEEL (See Note 1-2)
<p>NOTE. (1) TS275E 8.4/8.4 (2) ELECTROLYTIC TIN PLATE AS PER EN 10202:2001 MIN TIN THICKNESS 3.5 UM (3) GENERAL TOLERANCE (+/-) 0.2MM NON DIMENSIONED ITEMS REMAIN MASACH TECH LTD. PROPERTY.</p>			
MASACH TECH LTD. 22 HAGANAN MODIIN 7169513 ISRAEL T: (+972) 8 9754681 / F: (+972) 8 9754682 info@masach.com / www.masach.com	SEAMLESS PROTECTIVE CAGE	 	
			MMGS / PRINT 1:1 / A4

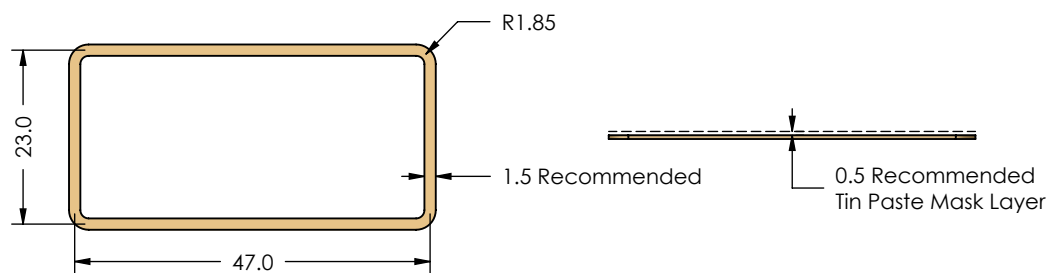
This product has been designed and manufactured by Masach Tech Ltd. The use of this product in any type of electronic device or application is not under Masach Tech Ltd. liability.







MS473-10S / EMI/RFI SHIELD
External Dimensions



FOOT PRINT 1:1
Symmetry



	Item No:	Description:	Material:
	MS473-10S	DRAWN EMI/RFI SHIELD (One-Piece)	TIN PLATED STEEL (See Note 1-2)
<p>NOTE. (1) TS275E 8.4/8.4 (2) ELECTROLYTIC TIN PLATE AS PER EN 10202:2001 MIN TIN THICKNESS 3.5 UM (3) GENERAL TOLERANCE (+/-) 0.2MM NON DIMENSIONED ITEMS REMAIN MASACH TECH LTD. PROPERTY.</p>			
<p>MASACH TECH LTD. 22 HAGANAN MODIIN 7169513 ISRAEL T: (+972) 8 9754681 / F: (+972) 8 9754682 info@masach.com / www.masach.com</p>	<p>SEAMLESS PROTECTIVE CAGE</p>	 	
			<p>MMGS / PRINT 1:1 / A4</p>