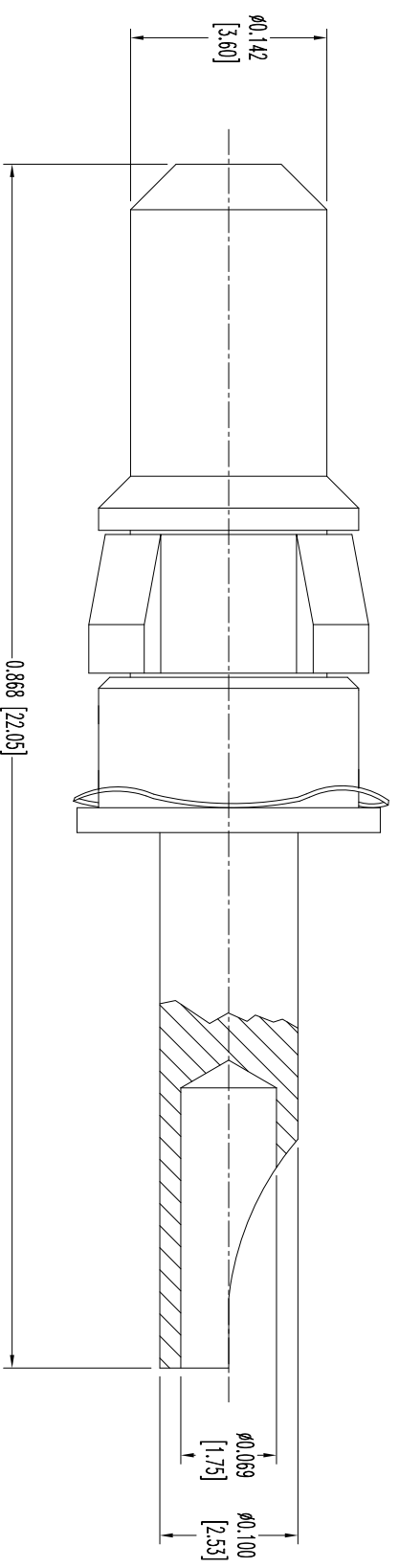


THIS DRAWING CONTAINS INFORMATION PROPRIETARY TO POSITRONIC INDUSTRIES INC. THE DATA ON THIS DRAWING TO BE RELIABLE SINCE THE USER EMPLOY'S SUCH INFORMATION AT HIS OWN DISCRETION. RESULTS OBTAINED OR DAMAGES INCURRED FROM USE OF SUCH INFORMATION IN WHOLE OR IN PART.



- NOTES:
1. MATERIAL AND FINISH:
CONTACT: HIGH CONDUCTIVITY COPPER ALLOY, GOLD FLASH OVER NICKEL.
SPRING WASHER: BERYLLIUM COPPER, GOLD OVER NICKEL PLATE.
RETENTION RING: BERYLLIUM COPPER, NICKEL PLATE.
 2. DETAILED PRODUCT, ELECTRICAL, AND MECHANICAL INFORMATION IS AVAILABLE IN THE LATEST STANDARD DENSITY COMBO-D PRODUCT PUBLICATION.
VISIT CONNECTROSTRONIC.COM/PRODUCTS/1/STANDARDENSITYCOMBO-D OR CONNECTROSTRONIC.COM.
 3. CONTACTS ARE ROHS COMPLIANT PER ROHS DIRECTIVE 2002/95/EC OF 27 JAN 2003.
 4. DIMENSIONS ARE IN INCHES [MILLIMETERS].

DATE	REV	REVISION RECORD	APP	DR	CK
11-29-05	NC	ECO 25113	RW	YK	COLB
3-29-10	A	ECO 32302	TK	BE	TK

SK6762



POSITRONIC INDUSTRIES INC.
www.connectpositronic.com

DECIMAL TOL.	± 0.015 [0.38]	SCALE	N.T.S.	DRAWN BY	YK
ANGULAR TOL.	± 5°	CBD SERIES		APPROVED BY	RW

TITLE	MS4016D/AA	FSCM	28198
DATE	11-29-05	DRAWING NUMBER	SK6762
REV.	A		