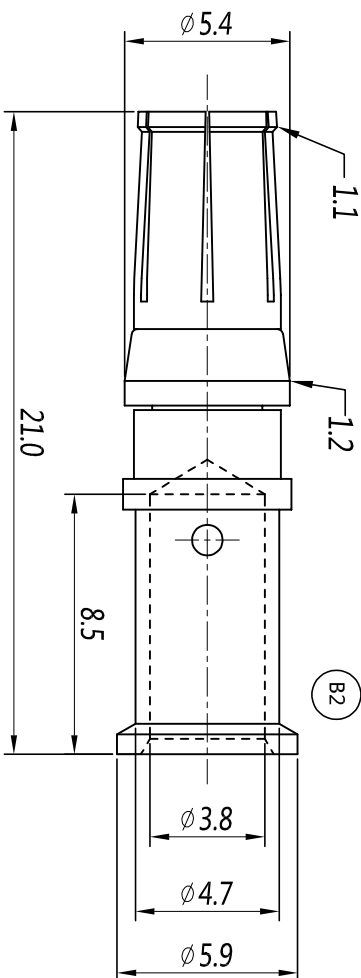


REVISIONS					
REV	ECO	DESCRIPTION	DATE	BY	APPR
B1	-	RELEASED DRAWING	JUN-17-2014	BEN	TOMMY
B2	-	DESIGN CHANGE	JUL-18-2017	FLAN	TOMMY



P/N	CONTACT PLATING(MATING AREA)
MS10A23T	TIN PLATING OVER NICKEL.
MS10A23S	SILVER PLATING OVER NICKEL.
MS10A23F	GOLD FLASH PLATING OVER NICKEL.
MS10A23G5	5µ" GOLD PLATING OVER NICKEL.
MS10A23G10	10µ" GOLD PLATING OVER NICKEL.
MS10A23G15	15µ" GOLD PLATING OVER NICKEL.
MS10A23G30	30µ" GOLD PLATING OVER NICKEL.

- NOTES : (UNLESS OTHERWISE SPECIFIED)
- MATERIAL :
 - CONTACT BODY : COPPER ALLOY.
 - POSITIONING CLIP : COPPER ALLOY.
 - SPECIFICATIONS :
 - CURRENT RATING : 45A(MAX).
 - TERMINATION TYPE : CRIMPING.
 - WIRE RANGE : 10~12AWG.
 - SUITABLE CONTACT : MP10A23xx .
 - ROHS COMPLIANT.
 - ALL DIMENSIONS ARE FOR REFERENCE USE ONLY.

QUANTITY	PART NUMBER	DESCRIPTION	ITEM
MATERIALS LIST			
UNLESS OTHERWISE SPECIFIED 1) All dimensions are in millimeters. 2) Tolerances are as follows: 1 Pl. DEC ±0.30 Fractions ±1/64 3 Pl. DEC ±0.08 Angles ±1° 3) Note reference =			
SIGNATURES		DATE	
DRAWN: Ben	DATE: JUL-18-2017		
CHECKED: Tod	DATE: JUL-18-2017		
ENGINEER: Tommy	DATE: JUL-18-2017		
APPROVAL: Tommy	DATE: JUL-18-2017		
CUSTOMER:	Eco-Mate Socket Contact, Machine, Female Contact, 3.6mm		
THE DRAWING IS SUPERSEDED BY ANY LATER DATED DRAWING. SPECIFICATIONS AND PERFORMANCE DATA ARE THE PROPERTY OF AMPHENOL CORPORATION. NO PARTS OR REPRODUCTION ARE PERMITTED. ALL DIMENSIONS ARE IN MILLIMETERS UNLESS OTHERWISE SPECIFIED. MANUFACTURING VARIATIONS			
SCALE: NONE	SIZE: B	TYPE: C-	DWG NO: MS10A23xx
SHEET: 1	OF: 1	REVISION: B2	

Amphenol
Sine Systems - www.amphenol-sine.com
44724 Morley Drive
Clinton Township, MI 48036