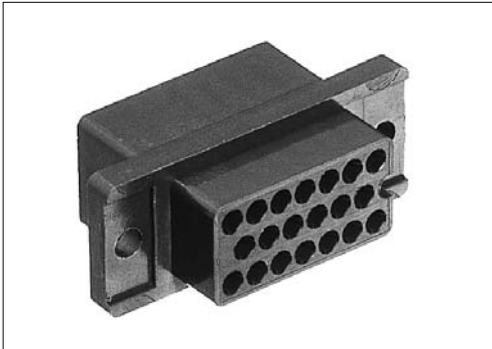


Crimping type female insulator for panels
MRP-()F01

For panels

Crimping

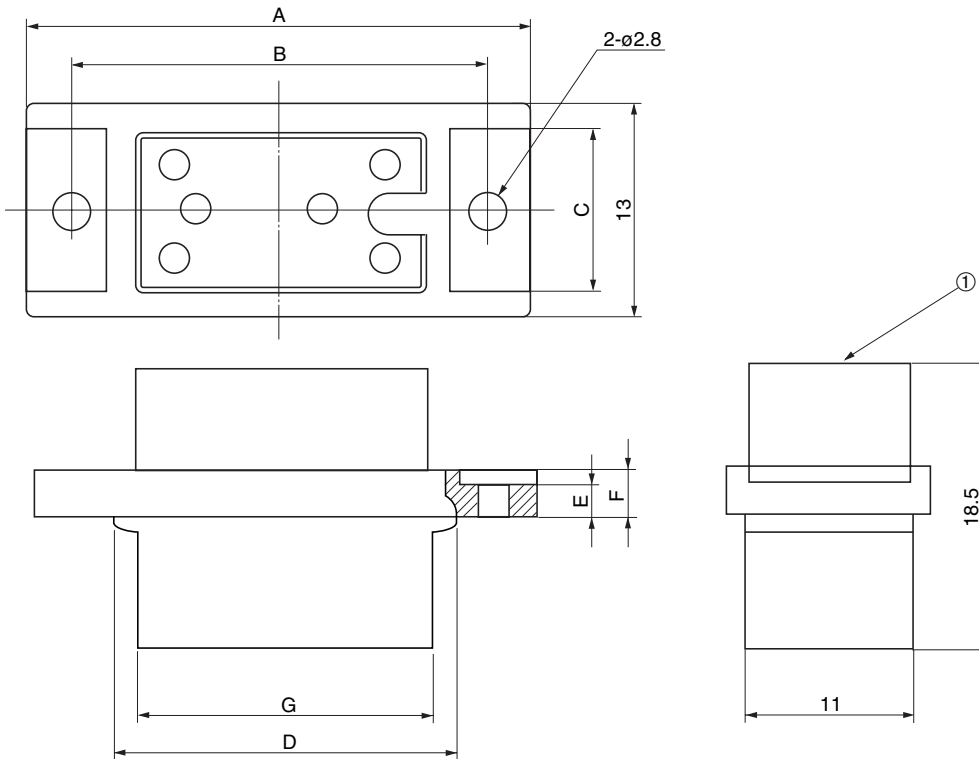


● Configuration of product Part No.

MRP- () F01

① ② ③

- ① Series name
- ② No. of contacts: 8, 16, 20, 25, 34 or 50
- ③ Female insulator



● Dimensions

| Part No. | A | B | C | D | E | F | G |
|-----------|------|------|----|------|-----|-----|---|
| MRP-8F01 | 22.4 | 17.4 | 5 | 11.9 | 1.9 | 3.4 | — |
| MRP-16F01 | 30.2 | 25.2 | 10 | 19.7 | 2.4 | 3 | — |
| MRP-20F01 | 32.8 | 27.8 | | 22.3 | | | |
| MRP-25F01 | 38.0 | 33.0 | | 27.5 | | | |
| MRP-34F01 | 45.8 | 40.8 | | 35.3 | | | |
| MRP-50F01 | 61.4 | 56.4 | | 50.9 | | | |

● Components

- ① Insulator

Applicable contacts: MRP-F1()

Applicable case: MR-()L and MR-()LW

Mating connectors: MR and MRH series of male connectors