



Alcoswitch

TE Internal #: 1825537-3

Rotary Switches, 4 Position, Long Thin Knob Actuator Style, Rotary, 4 Switch, Epoxy, .4A Contact Current Rating, Operating Voltage 20 VDC

[View on TE.com >](#)

Switches > Rotary Switches



Number of Positions: 4

Actuator Style: Long Thin Knob

Rotary Switch Type: Rotary

Number of Switches: 4

Case Material: Epoxy

Features

Product Type Features

Angle of Throw	15
Actuator Style	Long Thin Knob
Rotary Switch Type	Rotary
Sealed Device	No

Configuration Features

Number of Positions	4
Number of Switches	4

Electrical Characteristics

Contact Current Rating	.4 A
Operating Voltage	20 VDC

Body Features

Case Material	Epoxy
Product Orientation	Straight



Contact Features

PCB Contact Termination Area Plating Material	Gold
Switch Contact Plating Material	Gold
Contact Base Material	Brass

Product Compliance

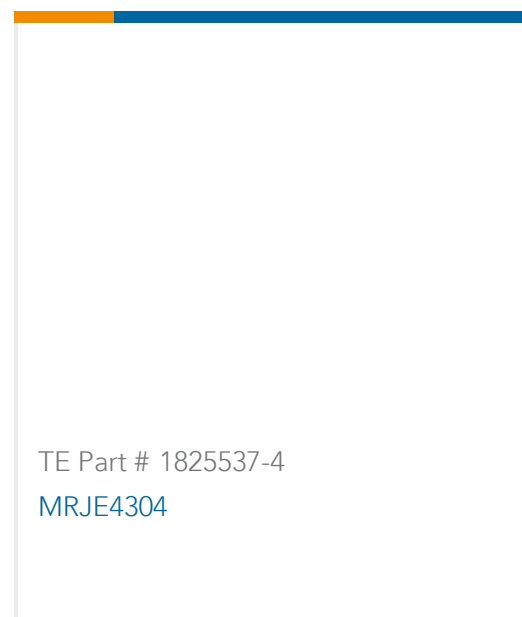
[For compliance documentation, visit the product page on TE.com>](#)

EU RoHS Directive 2011/65/EU	Compliant with Exemptions
EU ELV Directive 2000/53/EC	Compliant with Exemptions
China RoHS 2 Directive MIIT Order No 32, 2016	Restricted Materials Above Threshold
EU REACH Regulation (EC) No. 1907/2006	Current ECHA Candidate List: JUNE 2024 (241) Candidate List Declared Against: JAN 2024 (240) SVHC > Threshold: Pb (1.8% in Component Part) Article Safe Usage Statements: Do not eat, drink or smoke when using this product. Wash thoroughly after handling. Recycle if possible and dispose of the article by following all applicable governmental regulations relevant to your geographic location.
Halogen Content	Low Halogen - Br, Cl, F, I < 900 ppm per homogenous material. Also BFR/CFR/PVC Free
Solder Process Capability	Wave solder capable to 265°C

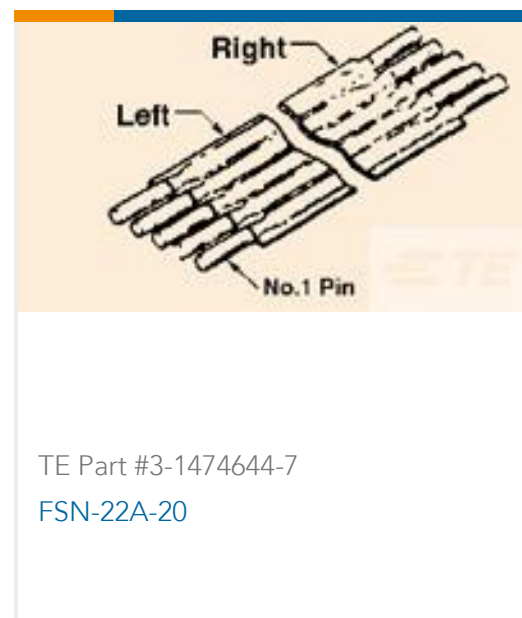
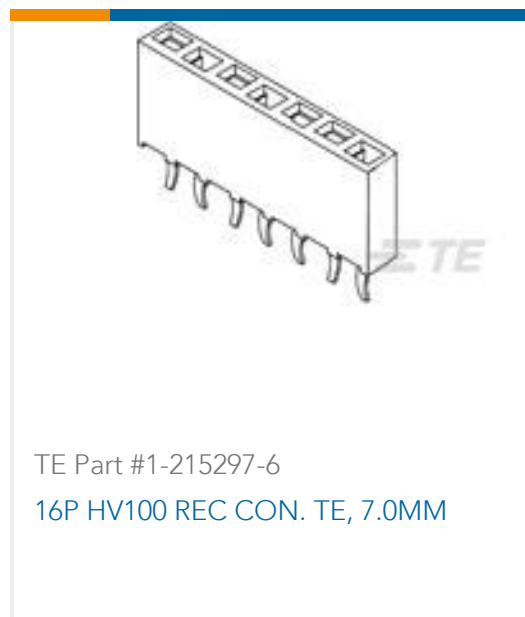
Product Compliance Disclaimer

This information is provided based on reasonable inquiry of our suppliers and represents our current actual knowledge based on the information they provided. This information is subject to change. The part numbers that TE has identified as EU RoHS compliant have a maximum concentration of 0.1% by weight in homogenous materials for lead, hexavalent chromium, mercury, PBB, PBDE, DBP, BBP, DEHP, DIBP, and 0.01% for cadmium, or qualify for an exemption to these limits as defined in the Annexes of Directive 2011/65/EU (RoHS2). Finished electrical and electronic equipment products will be CE marked as required by Directive 2011/65/EU. Components may not be CE marked. Additionally, the part numbers that TE has identified as EU ELV compliant have a maximum concentration of 0.1% by weight in homogenous materials for lead, hexavalent chromium, and mercury, and 0.01% for cadmium, or qualify for an exemption to these limits as defined in the Annexes of Directive 2000/53/EC (ELV). Regarding the REACH Regulation, the information TE provides on SVHC in articles for this part number is based on the latest European Chemicals Agency (ECHA) 'Guidance on requirements for substances in articles' posted at this URL: <https://echa.europa.eu/guidance-documents/guidance-on-reach>

Compatible Parts



Customers Also Bought



Documents

Product Drawings

[MRJE3404](#)

English

CAD Files

[3D PDF](#)

[3D](#)

[Customer View Model](#)

[ENG_CVM_CVM_1825537-3_A.2d_dxf.zip](#)



English

Customer View Model

[ENG_CVM_CVM_1825537-3_A.3d_igs.zip](#)

English

Customer View Model

[ENG_CVM_CVM_1825537-3_A.3d_stp.zip](#)

English

By downloading the CAD file I accept and agree to the [Terms and Conditions](#) of use.