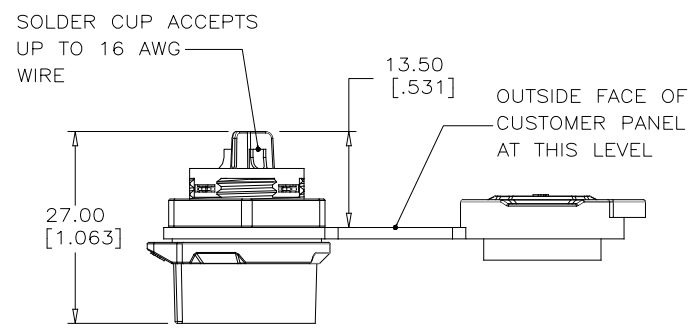
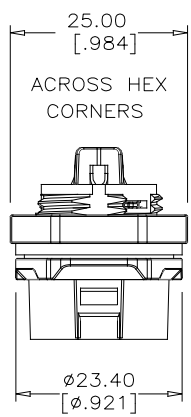
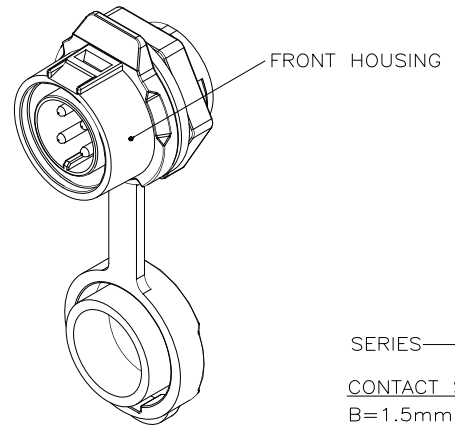
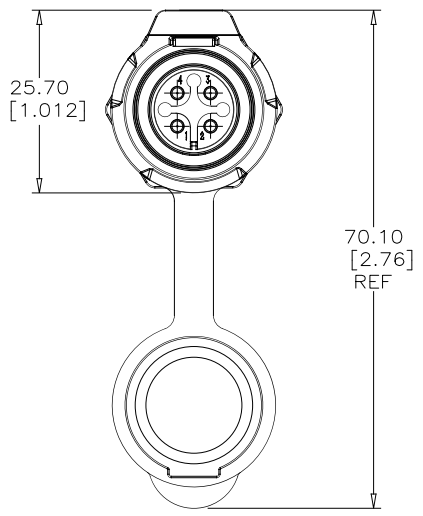


REVISIONS			
REV	DESCRIPTION, ECN, EAR NO.	DATE	APP'D
B	PROPOSAL DRAWING (EAR 14575)	SEP28/17	A.G.
C	UPDATING COMMON TERMINOLOGY	MAY18/18	A.G.



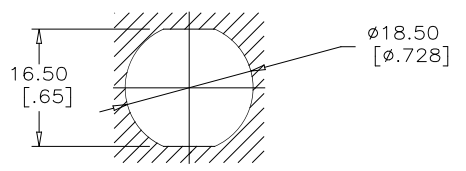
NOTES:

- MATERIAL: ALL MATERIALS ARE RoHS COMPLIANT PER EU DIRECTIVE 2011/65/EU
HOUSING: THERMOPLASTIC PBT, UL FLAMMABILITY RATING 94V-0, BLACK
CONTACT: COPPER ALLOY PLATED WITH GOLD FLASH OVER NICKEL
DUST CAP: SILICONE RUBBER, BLACK
FRONT HOUSING: ZINC ALLOY PLATED WITH CHROME OR THERMOPLASTIC PBT, SEE BELOW TABLE
HEX NUT: STEEL PLATED WITH NICKEL OR THERMOPLASTIC PBT, SEE BELOW TABLE
- ELECTRICAL CHARACTERISTICS:
CURRENT RATING: 10A
OPERATING VOLTAGE: 500V AC MAXIMUM
DIELECTRIC WITHSTANDING VOLTAGE: 2500V DC
CONTACT RESISTANCE: 5.0mΩ MAXIMUM.
- RECOMMENDED PANEL THICKNESS: 2.5 (0.098) TO 3.0 (0.118).
- ENVIRONMENTAL PROTECTION: IP67 PER IEC 60529 IN THE MATED CONDITION.



ORDERING CODE: MRD - BX04 - L13 - 000

SERIES _____ SPECIALS
CONTACT SIZE & MECHANISM _____ 000=STANDARD
B=1.5mm & LATCH LOCK _____ MOUNTING/COVER OPTIONS
HOUSING ORIENTATION & CONTACT TYPE _____ 3= PANEL MOUNT WITH DUST COVER
G=FEMALE METAL HOUSING & PIN CONTACT _____ CONTACT TERMINATION TYPE
J=FEMALE PLASTIC HOUSING & PIN CONTACT _____ L1=SOLDER CUP
NUMBER OF CONTACTS _____
04=FOUR CONTACTS



RECOMMENDED PANEL HOLE



CONNECTOR PART NUMBER	FRONT HOUSING MATERIAL	HEX NUT MATERIAL
MRD-BG04-L13-000	ZINC / CHROME	STEEL / NICKEL
MRD-BJ04-L13-000	PBT	PBT

UNLESS SPECIFIED OTHERWISE	DRAWN	K.XIONG	SEP28/17
PRIMARY UNITS MILLIMETERS	CHECKED	K.LAMBIE	MAR14/18
SECONDARY INCHES	M.E. APP'D		
REFERENCE IN PARENTHESES	Q.A. APP'D		
GENERAL TOLERANCES	DWG APP'D	A.GREEN	MAR14/18
1 DECIMAL PLACE ±0.25	ENG. REL. NO.		
2 DECIMAL PLACES ±0.15	REF.	EAR 14575	
3 DECIMAL PLACES ±0.05	THIRD ANGLE PROJECTION		
ANGULAR DEGREES	DO NOT SCALE DRAWING		

Amphenol Canada Corp. Commercial Products	
MRD SERIES RUGGED CONNECTOR, FEMALE WITH 4 PIN CONTACTS, LATCH LOCK, PANEL MOUNT WITH DUST COVER, IP67 RATING, RoHS COMPLIANT	
DWG NO.	P-MRD-BX04-L13-000
CODE ID NO. 03554	DWG SIZE X SCALE XX:1 SHEET 1 OF 1