

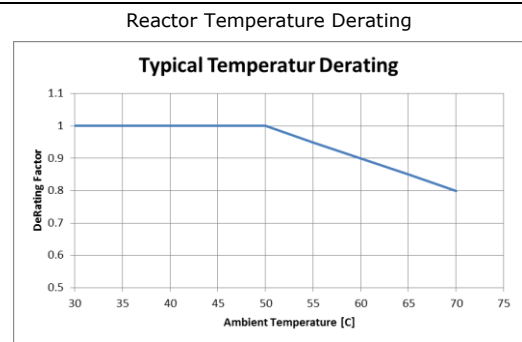
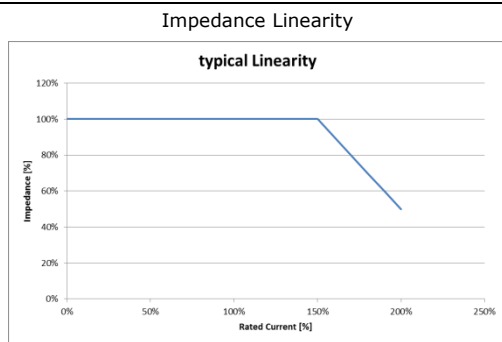
## Identification

Type Designation	<b>MR3-AD320-485-0</b>	Type of reactor	<b>3~ Load Reactor</b>
Series	<b>MR3</b>	Core Rating	<b>14095 var</b>
Core type	<b>3UI 168/75</b>	Drive HP / kW	<b>250.0 / 186.0</b>

## Technical Data

No. of phase		<b>3</b>
Rated Voltage	[ V ]	<b>480</b>
Rated Current	[ A ]	<b>320.0</b>
Rated Frequency	[ Hz ]	<b>0 - 60</b>
Switching Frequency	[ kHz ]	<b>2-10</b>
Impedance	[ % ]	<b>5.0</b>
Inductance	[ mH ]	<b>0.12</b>
Impedance Tolerance	[ % ]	<b>±10%</b>
Service Factor	[ % ]	<b>106.0</b>
Test voltage	[ kV ]	<b>4.0</b>
Isolation System Class		<b>200</b>
Temperature Rise	[ C ]	<b>135</b>


## Typical Characteristics




## Operating conditions

Rated Ambient temperature	[ C ]	<b>-10 ... +50°C</b>
	[ F ]	<b>15 ... 122°F</b>
Type of cooling		<b>AN</b>
Operating conditions		<b>24/7</b>
max Altitude without derating	[ m ]	<b>2000</b>
	[ ft ]	<b>6600</b>

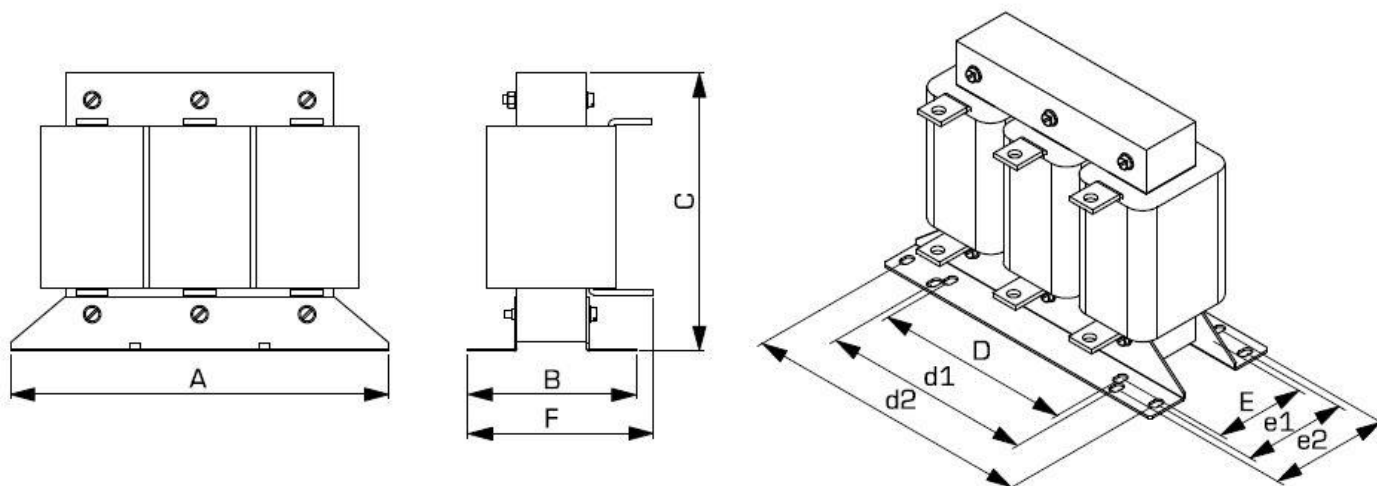
## Standards

Type: VDE 0570 / EN 61 558 Part 1 VDE 0570 / EN 61 558 Part 20	Markings: 
--	--

## Approvals

UL 508		E219022    NMTR
--------	---	-----------------

**Dimensions / Mounting in Inches**



A	B	C*	F	D	d1	d2	E	e1	e2	Drill
15.28	6.65	11.81	-	9.76	11.42	14.30	5.08	5.31	5.10	0.39x0.63
										0.39x0.63
										0.39x0.63

\* = Typical variable air gab

**Weight**

Weight	[ kg ]	44.20
	[ lbs ]	97.44

**Type 1 / IP21 protection**

Enclosure Type: -  
Ordering-Code: -

**Notes**

Technical specifications in the drawing are not binding. General tolerance to DIN 7168-m. Subject to change.  
Mounting plates also available in stainless steel as OEM application. Ask for details.

Created:	04/18/2018
Name:	Wesner
Date:	
Checked:	

**Observe protection clause to ISO 16016**  
Variations may apply to material's and production's tolerances.  
Objected to modifications without notice.

Index	0
Doc. type	Datasheet
Pages	2 of 2