

MPPT SERIES

(5.00 mm) .1969"

HERMAPHRODITIC 30 A POWER SYSTEM

SPECIFICATIONS

For complete specifications see www.samtec.com?MPPT

Insulator Material:

Black LCP

Terminal Material:

Copper Alloy

Plating:

Sn or Au over 50 μ" (1.27 μm) Ni

Operating Temp Range:

-55 °C to +105 °C with Tin;

-55 °C to +125 °C with Gold

Voltage Rating:

600 VAC/848 VDC

Standard Creepage:

(2.95 mm) .116"

Standard Clearance:

(2.71 mm) .106"

RoHS Compliant:

Yes

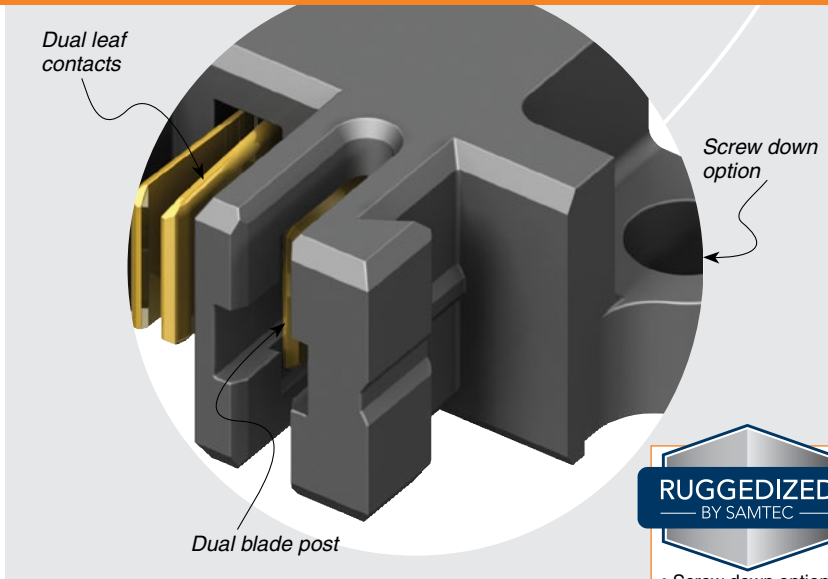
Lead-Free Solderable:

Yes

Mates with:

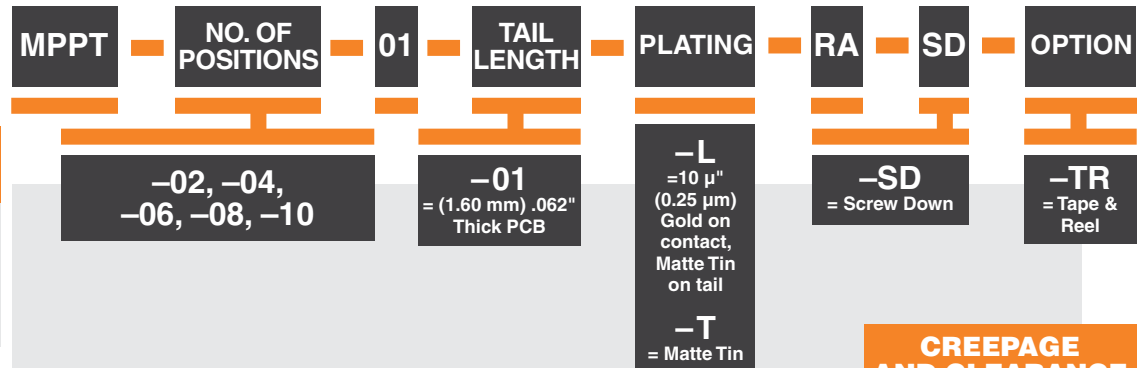
MPPT

MPPT/MPPT	
POWER PINS	CURRENT RATING (PER CONTACT)
1	23.3 A
2	20.5 A
3	19.4 A
4	18.4 A
10	17.2 A



RECOGNITIONS

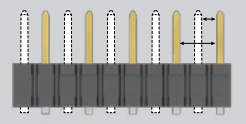
For complete scope of recognitions see www.samtec.com/quality



ALSO AVAILABLE (MOQ Required)

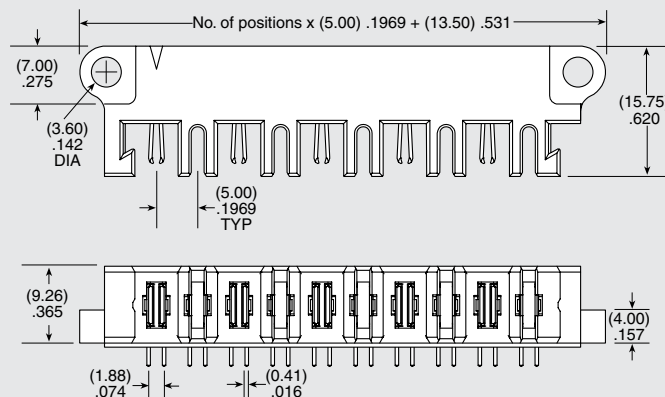
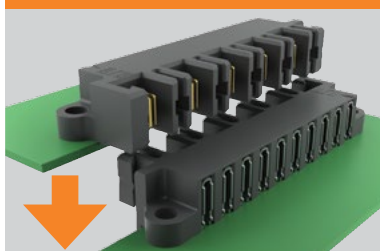
- Locking Clip (Manual placement required)
- Solder Leads for (2.36 mm) .093" thick board Contact Samtec.

CREEPAGE AND CLEARANCE



Selectively loading contacts achieves customer specific creepage and clearance requirements. Contact asp@samtec.com

APPLICATION



Note: Some sizes, styles and options are non-standard, non-returnable.